



NICE COLLECTION DOUBLE SHOWER DOOR HANDLE 1707808

PRODUCT NAME: DOUBLE SHOWER
DOOR HANDLE

PRODUCT CODE: 1707808

MATERIAL: All-brass construction

KEY FEATURES: Contemporary design.
Soft, curved brass with
thin rosettes

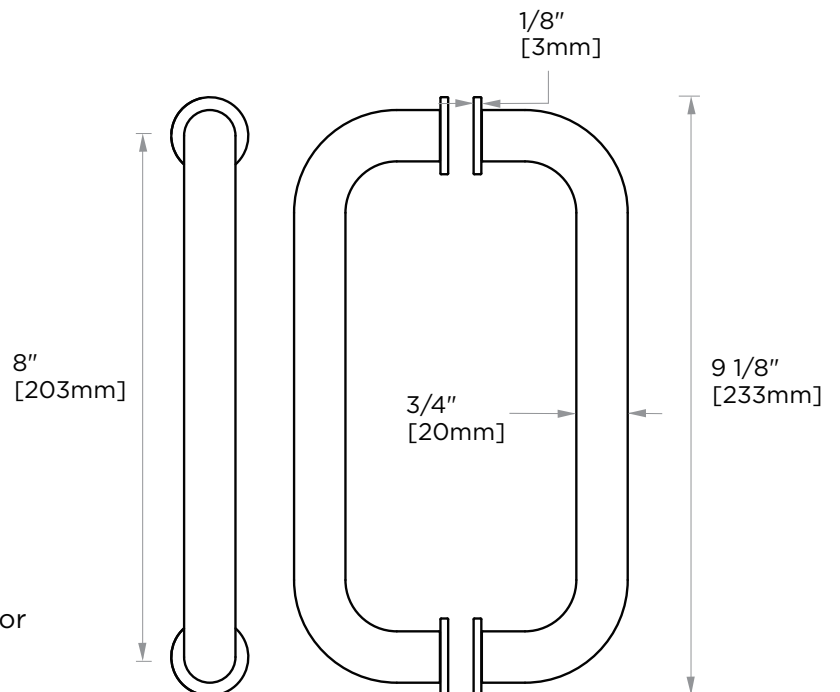
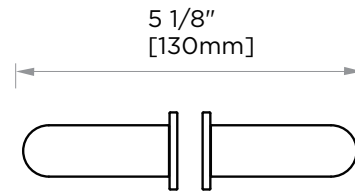
STOCKED FINISHES:

- Polished Chrome (99)
- Polished Nickel (68)

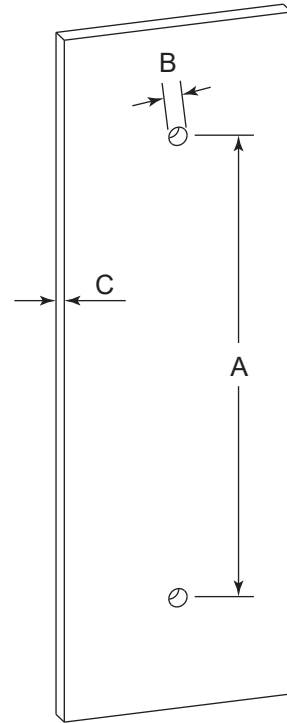
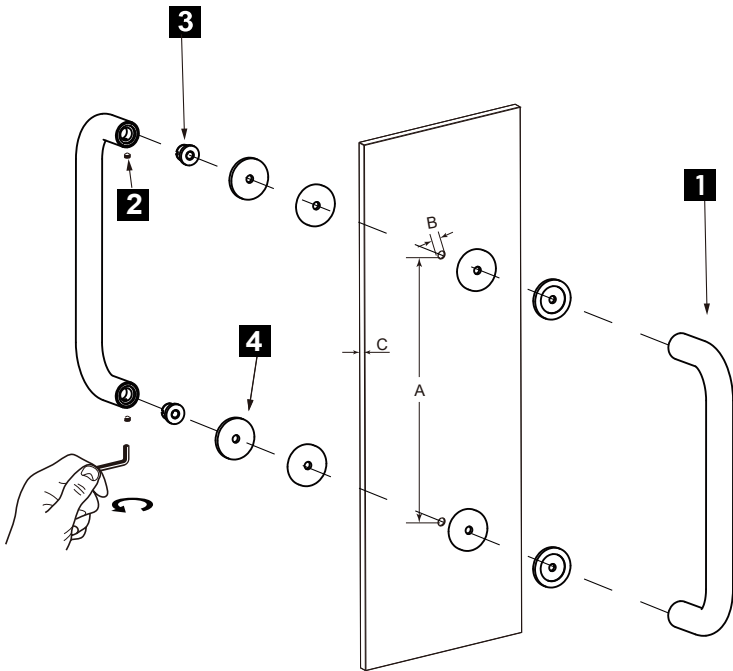
SPECIAL FINISHES AVAILABLE: 26 options available.
Please see our website for
full list samples

WARRANTY:

Lifetime Limited (Residential Use)
One Year (Commercial Use)



NOTE: Dimensions and specifications are subject to change without notice.



HANDLES INFO

| Components Included | | |
|---------------------|----------------|----|
| ① | Handle | X1 |
| ② | Set Screw M6 | X2 |
| ③ | Fixing Bracket | X2 |
| ④ | Rubber Gasket | X4 |

| Mounting Kits Included | | |
|---|----|-----------|
|  | X1 | Allen Key |

GLASS INFO

| Glass Hole C-C Distance | | |
|-------------------------|-------------|------------------------|
| A | 8"/203mm | 8" Shower Door Handle |
| | 12"/305mm | 12" Shower Door Handle |
| | 18"/457mm | 18" Shower Door Handle |
| | 24"/610mm | 24" Shower Door Handle |
| | 36"/914mm | 36" Shower Door Handle |
| B | 1/2" (12mm) | Glass Hole Diameter |
| C | 6-12mm | Glass Thickness |

* Can be used with extension kit for thicker doors

NOTE: Dimensions and specifications are subject to change without notice.