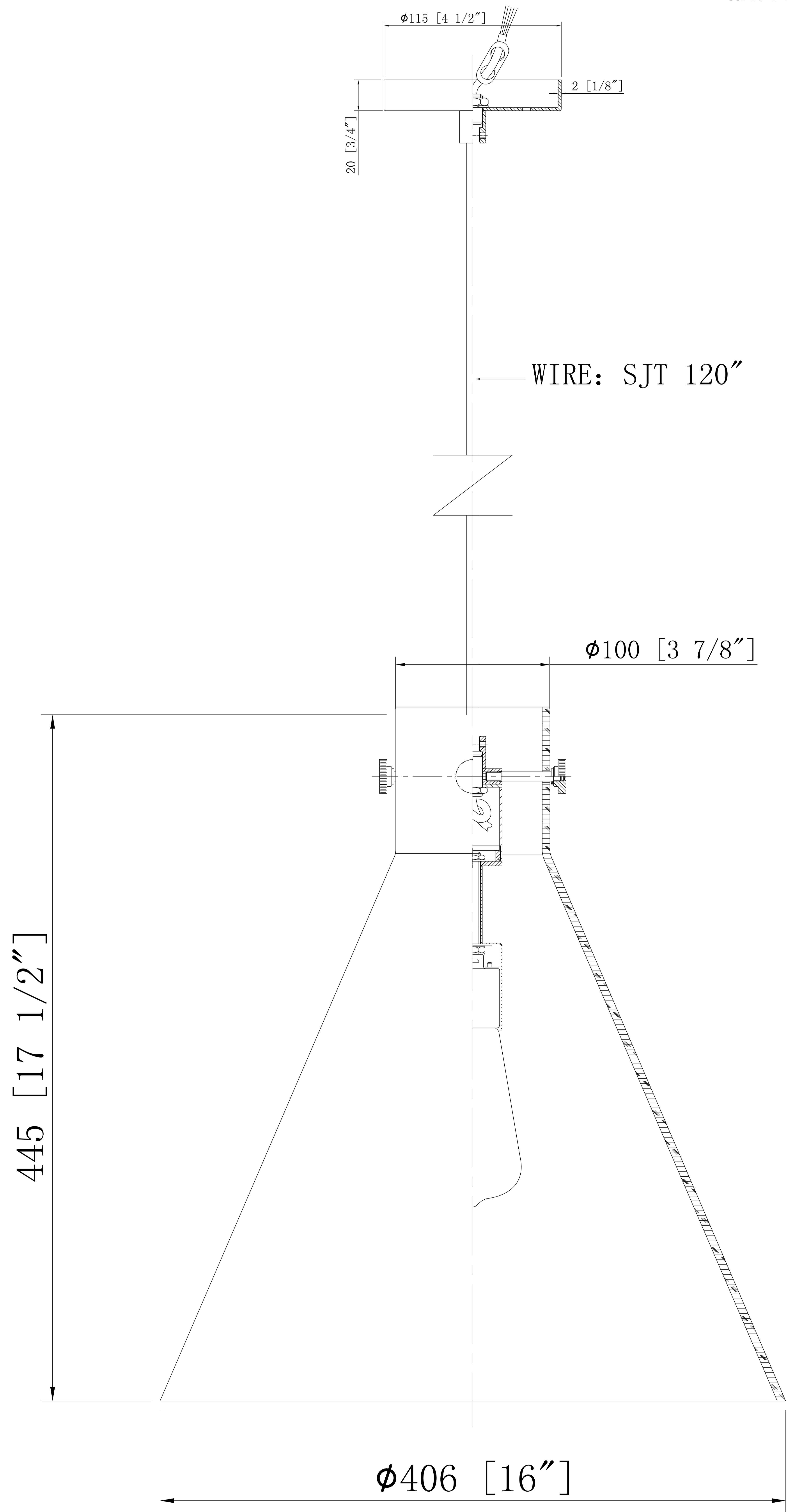
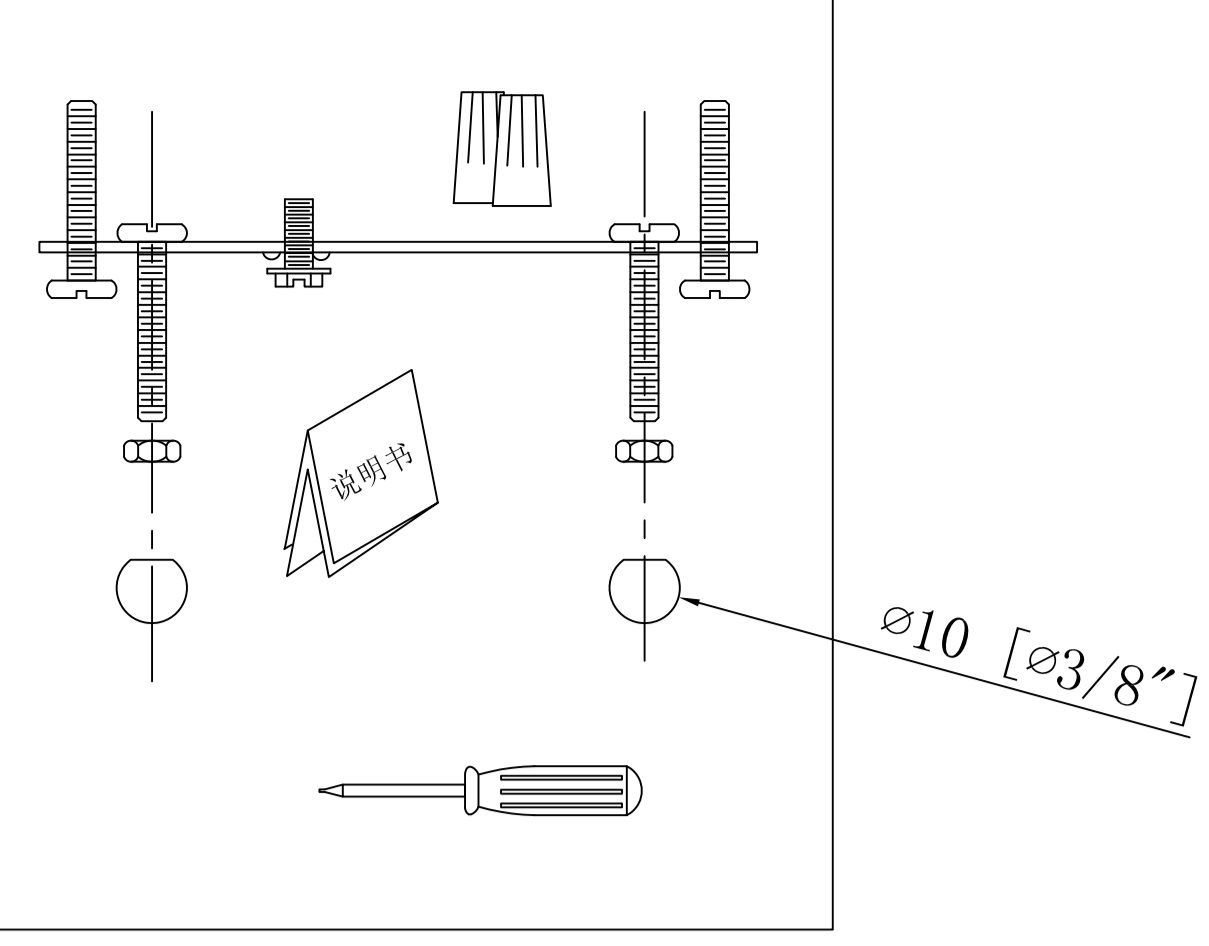


DESIGN COPYRIGHT - 05/29/2023

ALL RIGHTS RESERVED AND MAY
NOT BE DUPLICATED WITHOUT OUR
WRITTEN PERMISSION



REV 1
20230529

ITEM: 410-1PL-G411-16