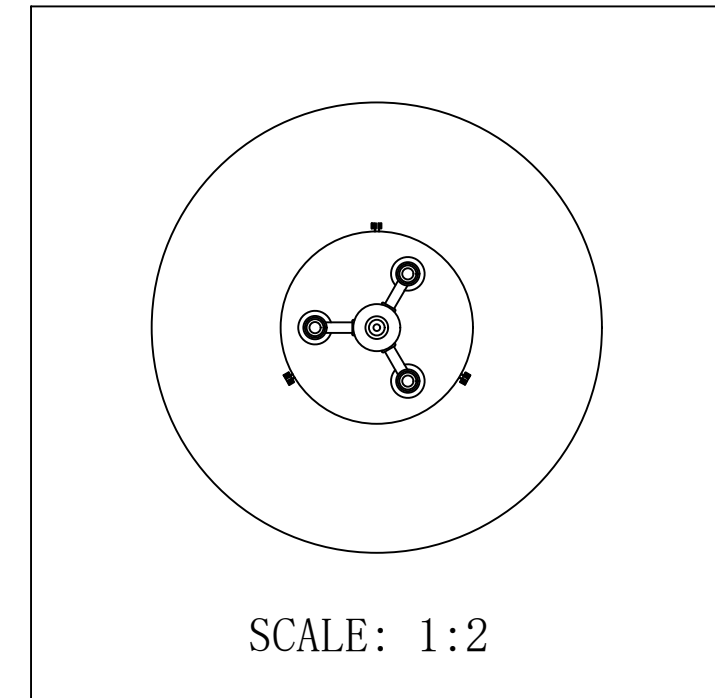
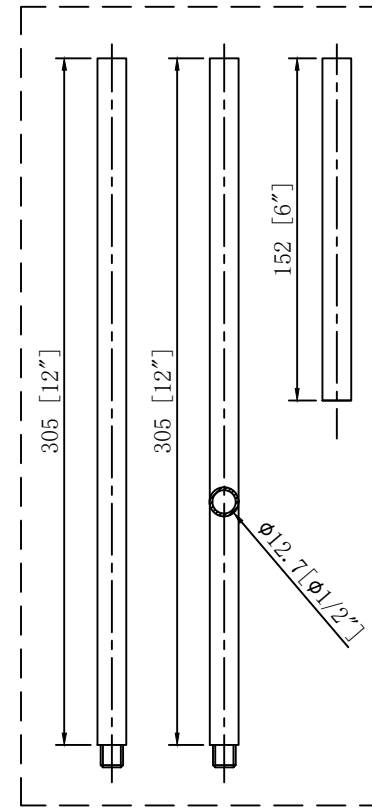


UL SPECIFICATION

- * FIXTURE SHALL BE LISTED FOR LOCATION ONLY AND LABELED AS SUCH.
- * FIXTURE MUST BE MANUFACTURED IN ACCORDANCE WITH UL STANDARD 1598.

PARTS SPECIFICATIONS
ITEM QTY DESCRIPTION

- A (1) SOCKET- UL LISTED/CSA CERTIFIED
BASE=MEDIUM
SOCKET=PORCELIN
SEE LEAD WIRE FOR SOCKET WIRE SPEC.
- B (1) LEAD WIRE- 10FT FROM TOP
UL LISTED/CSA CERTIFIED, AWG #18
105°C SPT-1 WIRE.
STRIP 1/2 [12.7], SPLIT 3 [76.2].
FROM TOP OF SCROLL.
(SEE CHART FOR COLOR).
- C (1) GROUND WIRE- 10FT FROM TOP
1/4 LAY COPPER GROUND WIRE.
FROM TOP OF SCROLL.
(SEE CHART FOR TINT).



NO.	PART NO.	DESCRIPTION	REQ.

NOTICE: ANY DESIGN OR OTHER INFORMATION HEREON DEVELOPED BY THIS COMPANY IS CONFIDENTIAL MATERIAL AND EXCLUSIVE PROPERTY OF THE L.D. ALIYA CO. DISCLOSURE OR REPRODUCTION REQUIRES THE WRITTEN CONSENT OF THE L.D. ALIYA CO.

INNOVATIONS
CREATIVITY MEET. EVOLUTIONARY DESIGN

DRAWN IN THIRD ANGLE PROJECTION	*mm* DIMENSION INDICATED IN [] DIMENSION IN [] IS FOR REF. ONLY			
	TOLERANCES (EXCEPT AS NOTED)			
	DECIMAL NONE ±.031 .X ±.015 .XX ±.010 .XXX ±.005	ANGULAR ± 1/2°	FRACTIONAL ± 1/32	SCALE 1:4
	DATE 18/09/2020	DRAWN BY SSL	CHECKED BY X	APPROVED BY X

TITLE 3L 16" Globe Stem Pendant	
PART NO. Pendant	REV.
ITEM NO. 3L 16" Globe Stem Pendant	REV. A