

Studio 5959

All Hydro Systems Studio Collection bathtubs and whirlpools are backed by our exclusive 5 year limited warranty and include the standard features.

Available Sizes:

59"L x 59"W x 20¾"D
 65 Gallon



Studio Model Feature:

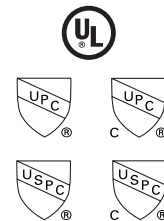
White/Almond/Bone/Natural
 Acrylic/Fiberglass Bathtub
 Integral Wood Base
 6 Jets Adjustable/Directional
 Air Switch
 Silent Air Induction
 Anti-Vortex Safety Suction
 1¼ hp UL Listed Pump, mounted
 Sturdy Cardboard Box

Optional Equipment

Available as Tub only, Thermal Air, Whirlpool
Removable Access Panel Skirt (Factory Install Option)
Inline Heater
Waste & Overflow
 Polished Chrome
 Polished Brass
System Trim
 Polished Chrome
 Polished Brass
Tile Flange - Molded
Hydro Coat
Hydro Express Quick Ship

Approvals & Listings

Commonwealth of Massachusetts
 UPC & USPC - US & Canada



Electrical Component

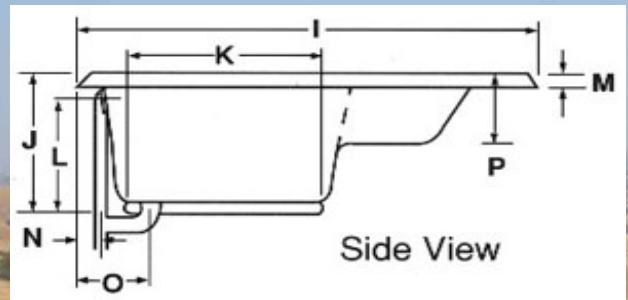
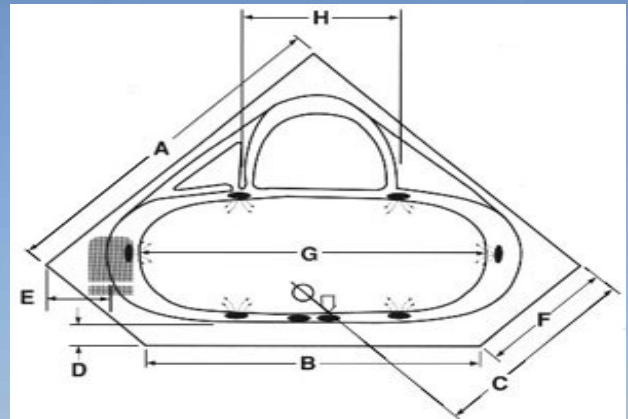
Electrical Requirements





Whirlpool (1.25 HP Single Speed Pump, 120V)	1 Dedicated 20 Amp GFCI Circuit
Thermal Air (1 HP Blower with 600 Watt Heater)	1 Dedicated 20 Amp GFCI Circuit
Inline Heater	
600 W	Shares Pump Circuit
1500 W	1 Dedicated 20 Amp GFCI Circuit

Studio 5959



Must be set in Mortar Base

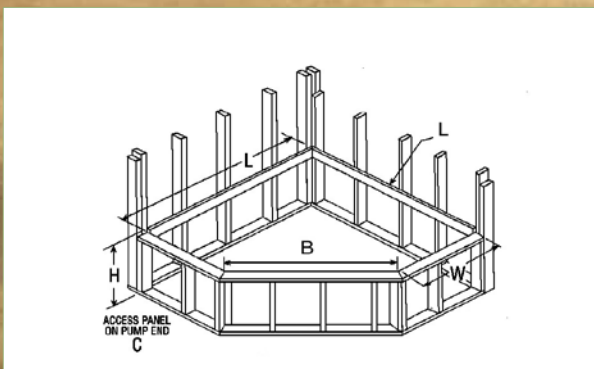


-  Pump motor
-  Jets
-  Anti-vortex suction
-  Overflow location

AS SHOWN:
Whirlpool option w/ standard jets

ALSO AVAILABLE:
Soaking Tub Only, Thermal Air,

Model	GC	AC	A	B	C	D	E	F	G	H	I	J	K	L	M	N	O	P
5959	N/A	√	59"	52½"	34½"	4"	9½"	21¾"	51"	24"	56"	20¾"	24"	18¼"	1¼"	2¾"	9"	10½"
Framing Dimensions below															Jet	Pump	Wat.Cap.	
															6	1.25	65 gal.	



Island Drop-In				
Model	(L)ength	(W)idth	B	(H)eight Finish
5959	57"	20"	51"	21½"

Disclaimer: Certain options or altering the pump/blower location may cause the pump/blower to extend beyond the tub decking. For cutout dimensions wait for unit to arrive. All specifications subject to change without notice.