

**Joleena
Pressure Balance Trim**

Finishes : **matte black** Part no. : **04779670**



Description

Features

- Flow: 5.44 GPM (20.6 L/Min)
- Integrated bypass for use with diverter tub spouts
- Temperature and on/off control for 1 outlet

Item details

List Price \$ 253.00

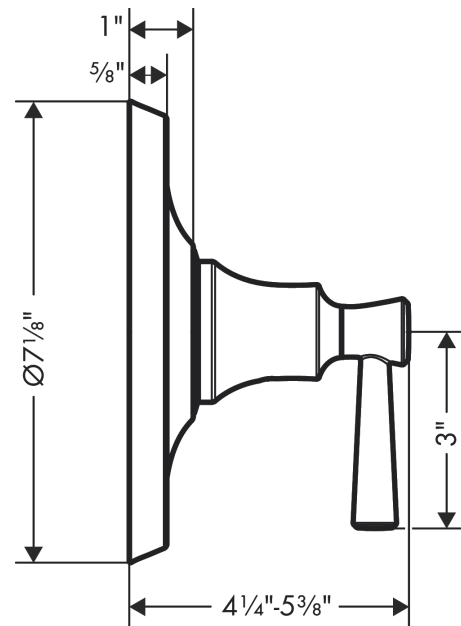
Compliance



Product image



Scale drawing



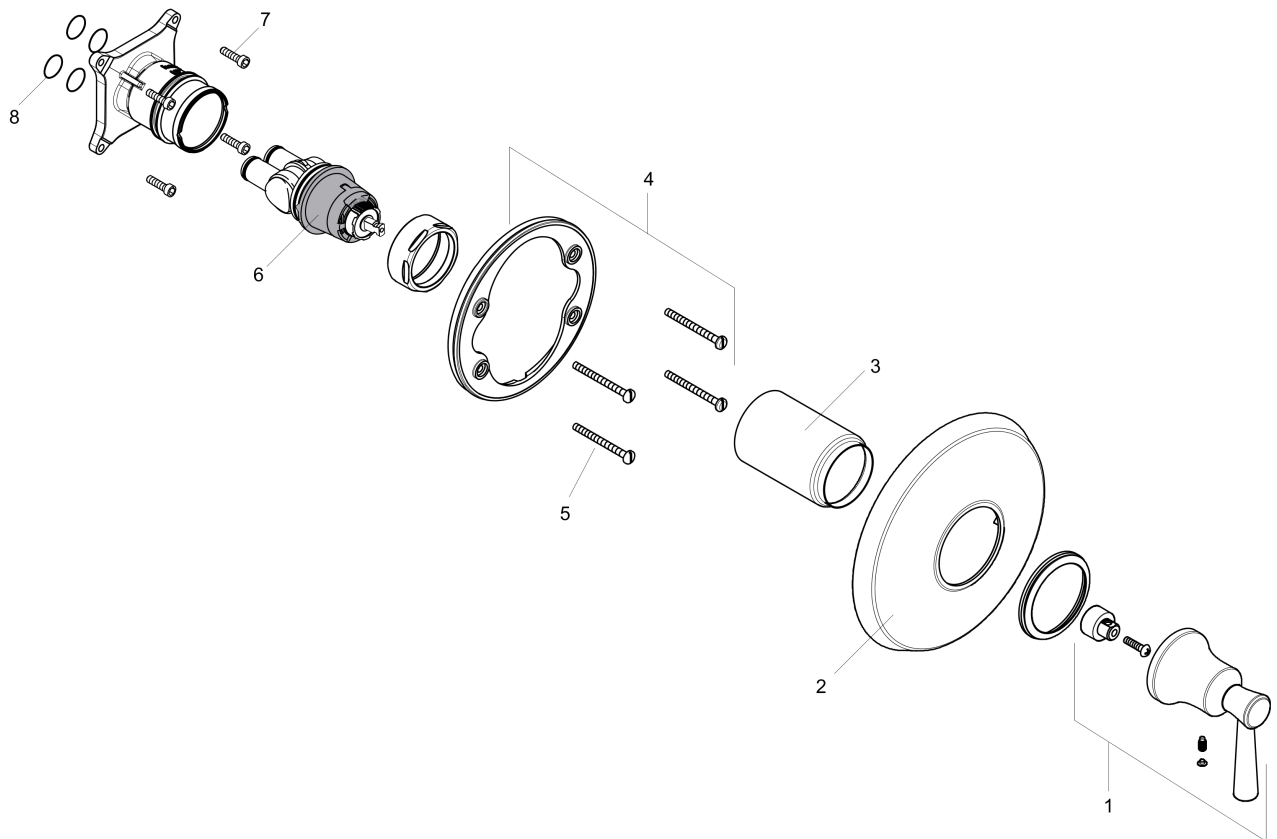
Joleena
Pressure Balance Trim
 Finishes : **matte black**

Part no. : **04779670**



Exploded drawing

Year of production: >10/19



Joleena
Pressure Balance Trim

Finishes : **matte black** Part no. : **04779670**



Spare parts list

Year of production: >10/19

| Pos. | Description | Part no. | Price | PU |
|------|----------------------------|----------|-------|----|
| 1 | handle | 93556670 | - | 1 |
| 2 | escutcheon | 93557670 | - | 1 |
| 3 | sleeve | 93606670 | - | 1 |
| 4 | holder for escutcheon | 98793000 | - | 1 |
| 5 | set of fixing screws | 96454000 | - | 1 |
| 6 | cartridge, assy | 88727000 | - | 1 |
| 7 | set of screws | 96525000 | - | 1 |
| 8 | O-ring 16x2 | 98133000 | - | 1 |
| a | extension 25 mm | 13595000 | - | 1 |
| b | set of fixing screws | 97747000 | - | 1 |
| c | extension 22 mm (Ø 170 mm) | 13596670 | - | 1 |