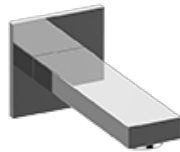


SHOWER
Pressure Balancing Shower
System - Tub and Shower
G-7290-LM38S

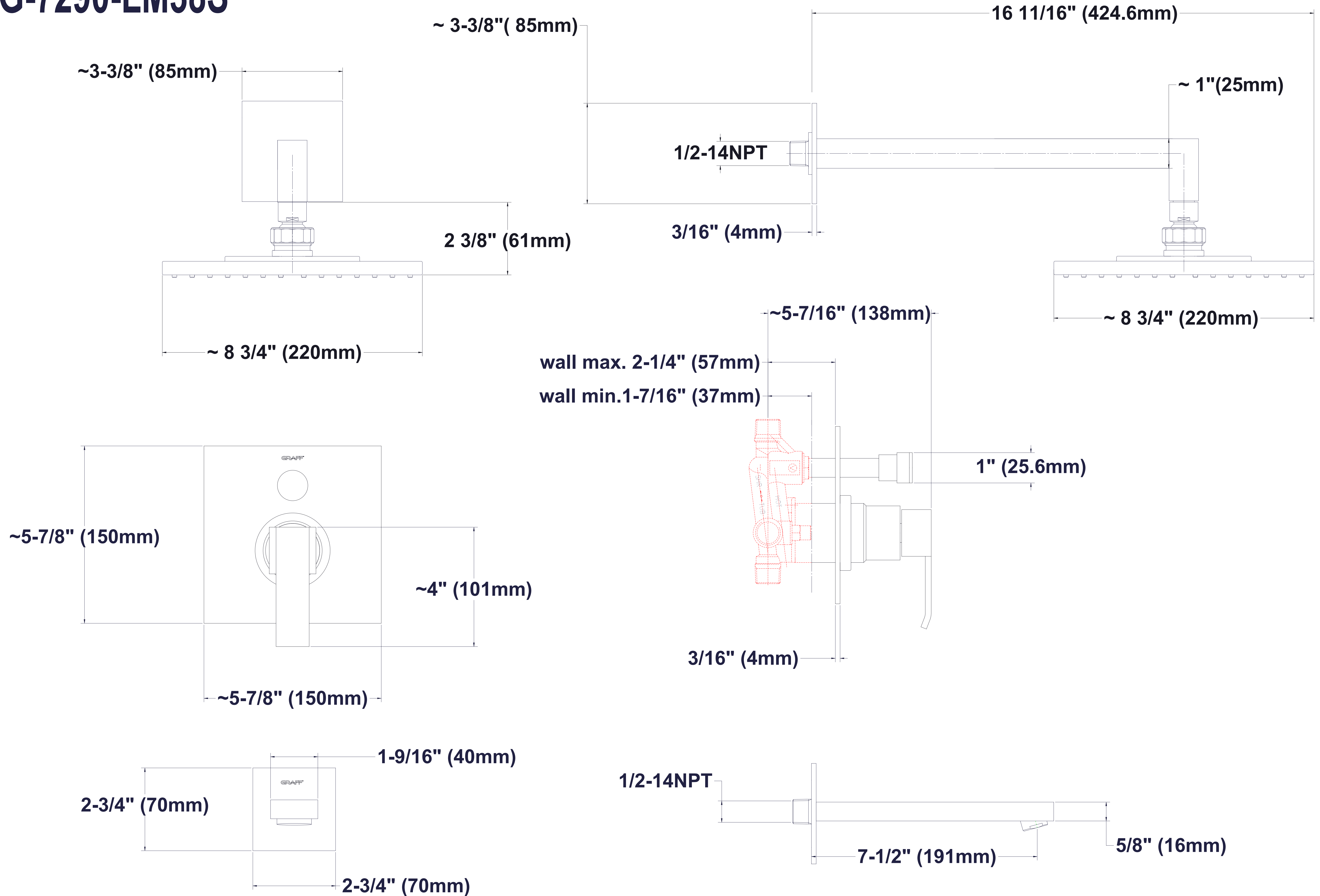
GRAFF®



Information

- 1/2" pressure balance valve with diverter and trim
- 8" showerhead with 12" wall-mounted shower arm
- Showerhead flow rate ≤ 1.8 max gpm
- 8" contemporary tub spout
- Optional extension kit
- Showerhead flow rate ≤ 1.8 max gpm
- ADA
- CALGreen

G-7290-LM38S



SHOWER
Concealed Pressure Balancing
Valve Rough w/Diverter
G-7055

GRAFF®



Information

- Anti-scald protection
- 1/2" universal inlets/outlets with male threads
- Built-in service stops
- Push-button diverter
- For use with tub & shower configuration
- Supplied with protective plastic guard

Finishes



24K Gold



24K Brushed
Gold



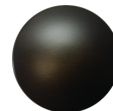
Architectural
Black™



Brushed
Nickel



Matte Black



Olive Bronze



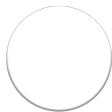
Polished
Chrome



Polished
Nickel



Steelnox®
(Satin Nickel)



Architectural
White

G-7055

1/2" Rough Valve w/Diverter



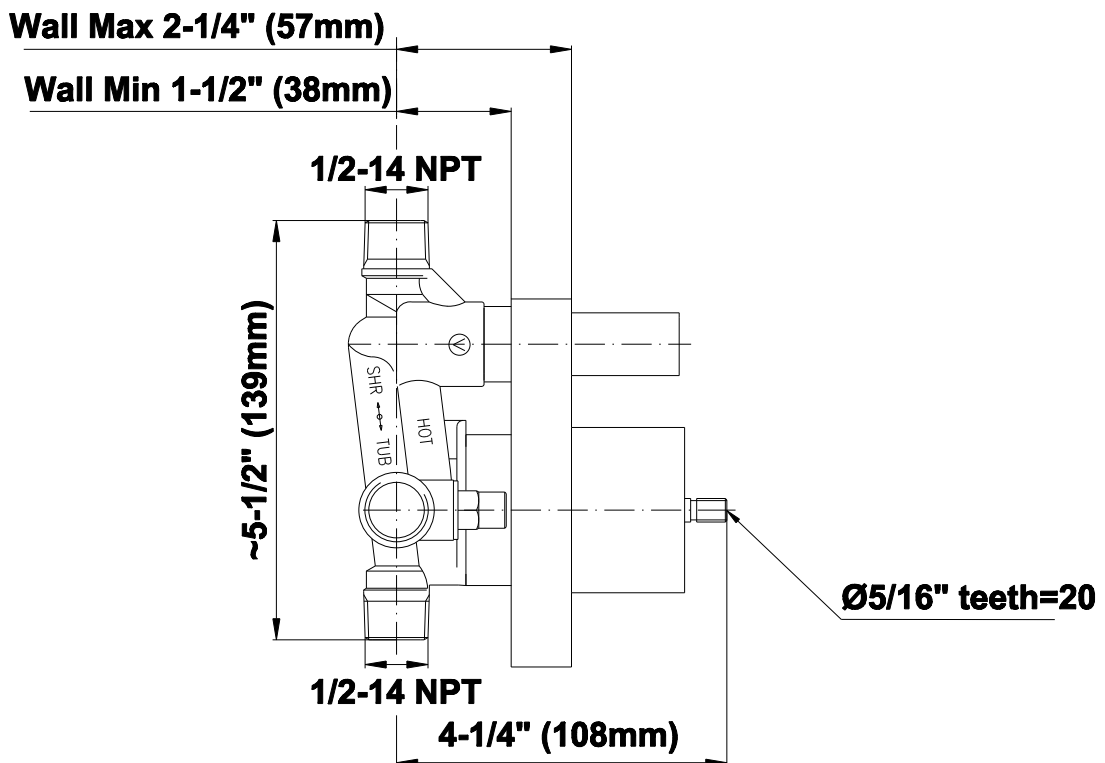
Product Features

- Anti-scald protection
- 1/2" universal inlets/outlets with male threads
- Built-in service stops
- Push-button diverter
- For use with tub & shower configuration
- Supplied with protective plastic guard

Warranty

- Limited lifetime warranty

For complete warranty information go to www.graff-faucets.com/en-nam/warranty



The measurements shown are for reference only. Products and specifications shown are subject to change without notice. Revised 06/2014.

www.graff-faucets.com | phone: 800-954-4723

SHOWER
Qubic SOLID Trim Plate w/Handle
G-7090-LM38S-T

GRAFF[®]



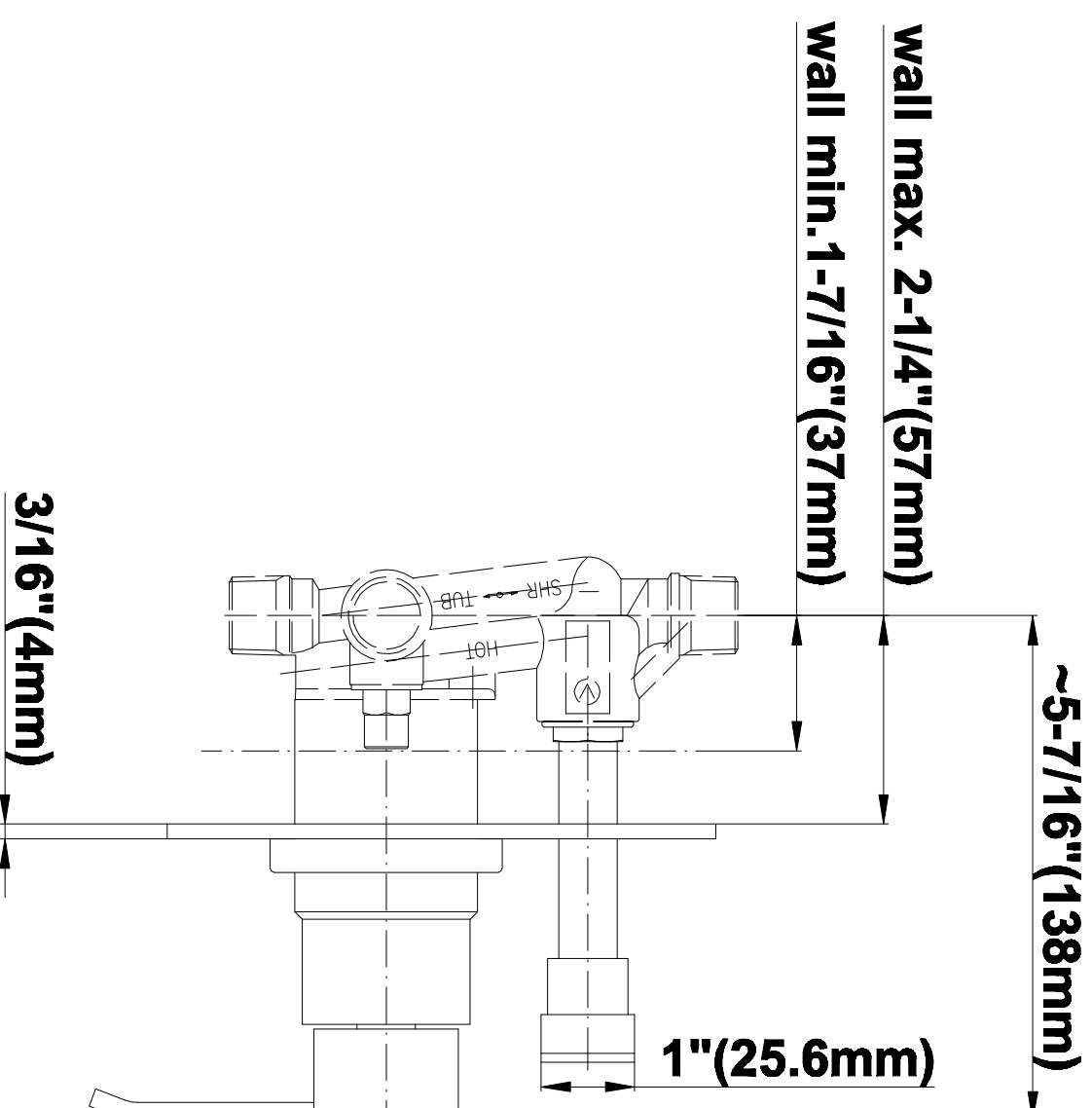
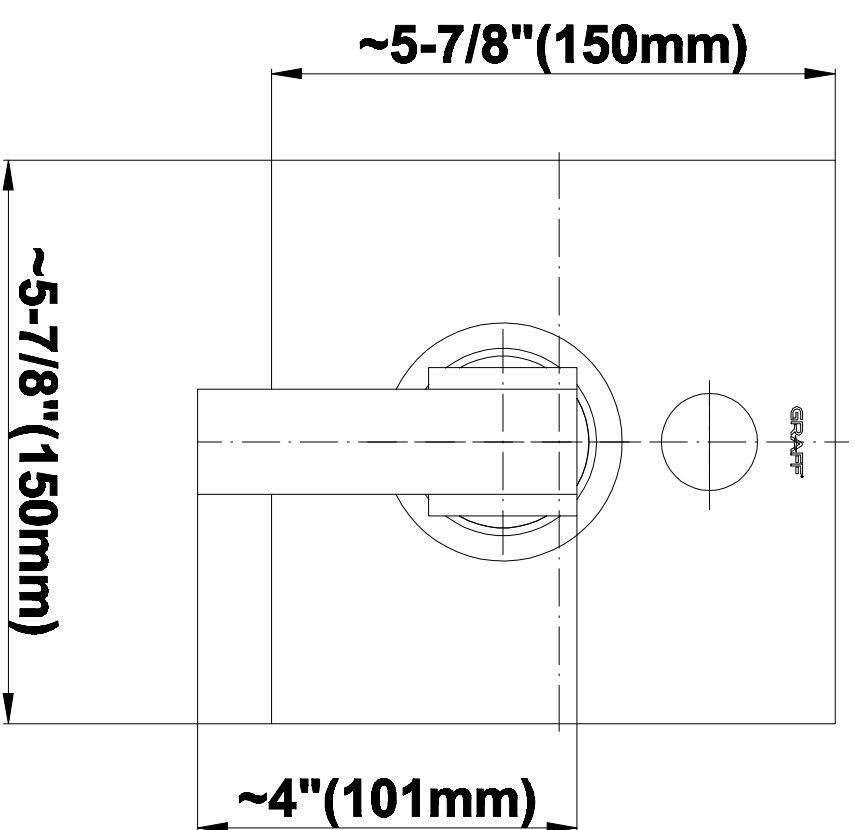
Information

- Single metal lever handle
- Decorative trim plate
- Includes push-button diverter
- Use with G-7055 pressure balancing rough valve for shower and tub configurations
- To complete package, you must order rough valve
- ADA

Finishes



G-7090



SHOWER
8" Square Brass Showerhead
G-8438

GRAFF®



Information

- 1/4" thick
- 144 no-clog, easy-clean rubber spray nozzles
- Recommended use with ceiling shower arm
- Recommended for use at no more than 10 degrees tilt
- Showerhead flow rate ≤ 1.8 max gpm
- CALGreen

Finishes



G-8438

Aqua-Sense Collection
Contemporary 8" Square Showerhead



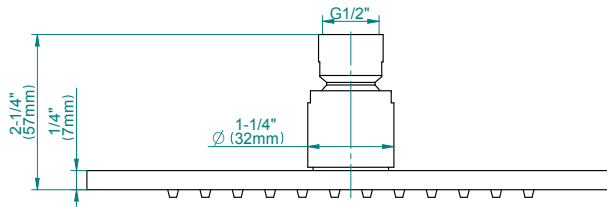
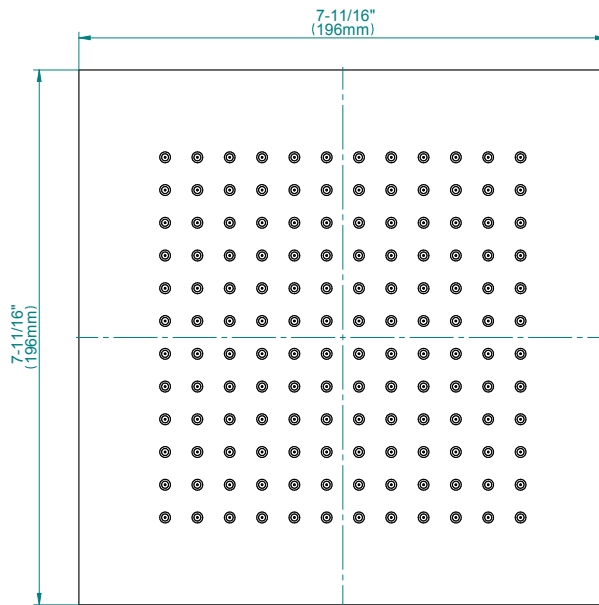
Product Features

- 1/4" thick
- 144 no-clog, easy-clean rubber spray nozzles
- Showerhead flow rate ≤ 1.8 max gpm

Available Finishes

- Polished Chrome
G-8438-PC
- Brushed Nickel
G-8438-PN
- Polished Nickel
G-8438-BNi
- Unfinished Brass*
G-8438-UB*
- Steinox
G-8438-SN
- Olive Brass*
G-8438-OB*
- Architectural Black with Chrome Accents*
G-8438-PC/BK*
- Gold*
G-8438-AU*
- Brushed Gold*
G-8438-BAU

* Special order finish- call for availability



Code Compliance

- CALGreen

Warranty

- Limited lifetime warranty

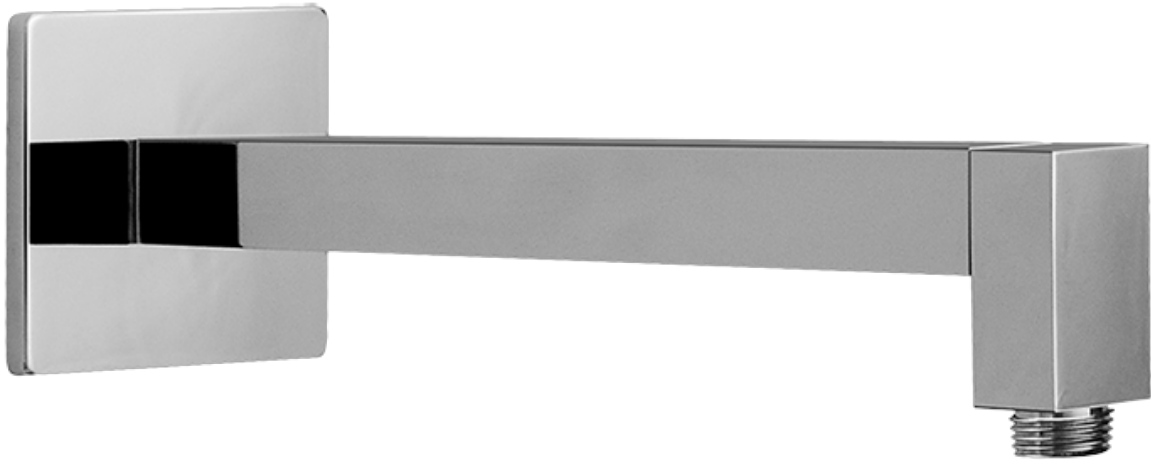
For complete warranty information go to www.graff-designs.com/en-nam/warranty

The measurements shown are for reference only. Products and specifications shown are subject to change without notice. Revised 12/2017

www.graff-designs.com | phone: 800-954-4723

SHOWER
Contemporary 12" Shower Arm
G-8530

GRAFF®



Information

- Includes arm and square flange
- 1/2" NPT male thread inlet
- For use with all showerheads (especially G-8438)

Finishes



24K Gold

24K Brushed
Gold

Architectural
Black™

Brushed
Nickel

Matte Black

Olive Bronze

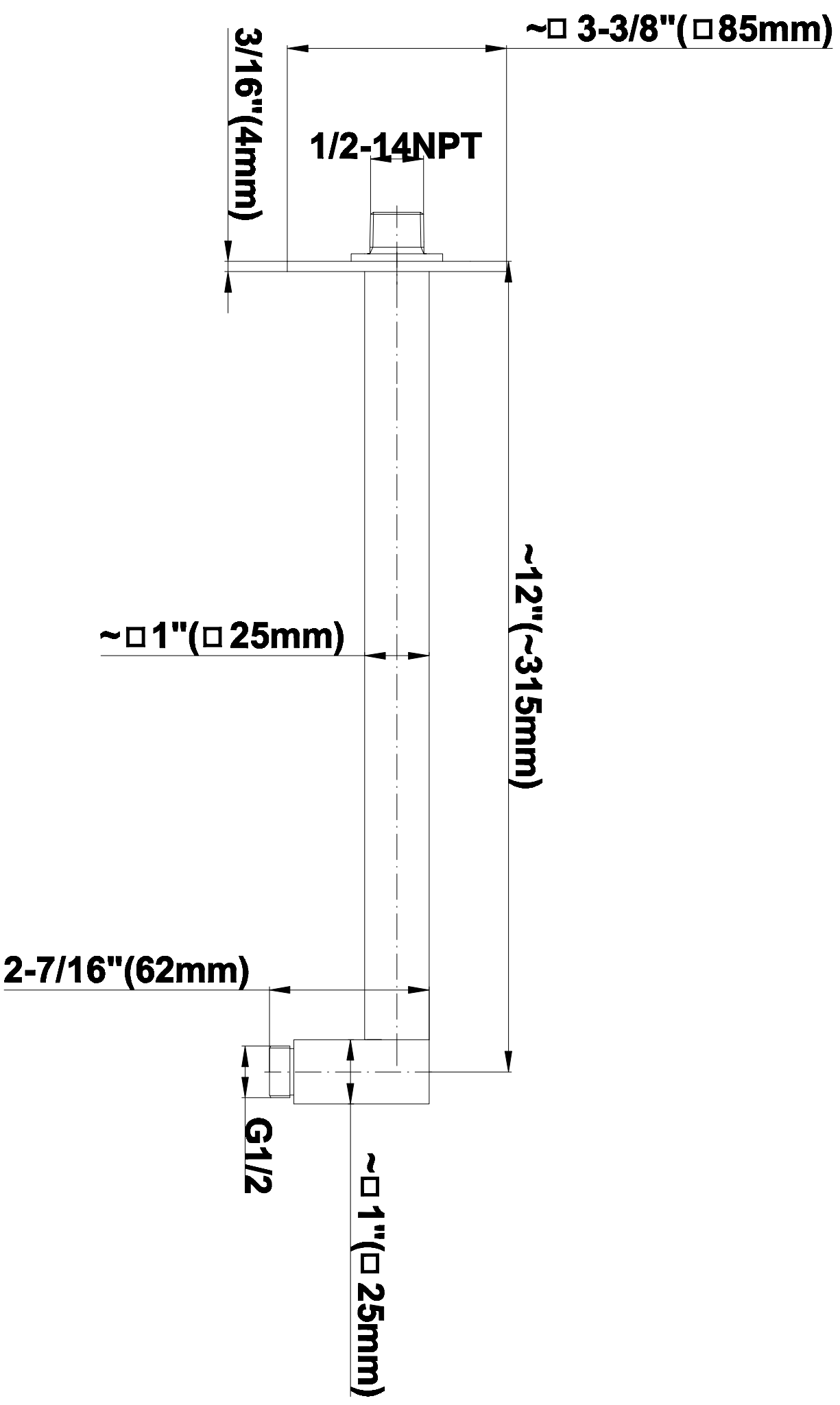
Polished
Chrome

Polished
Nickel

Steelnox®
(Satin Nickel)

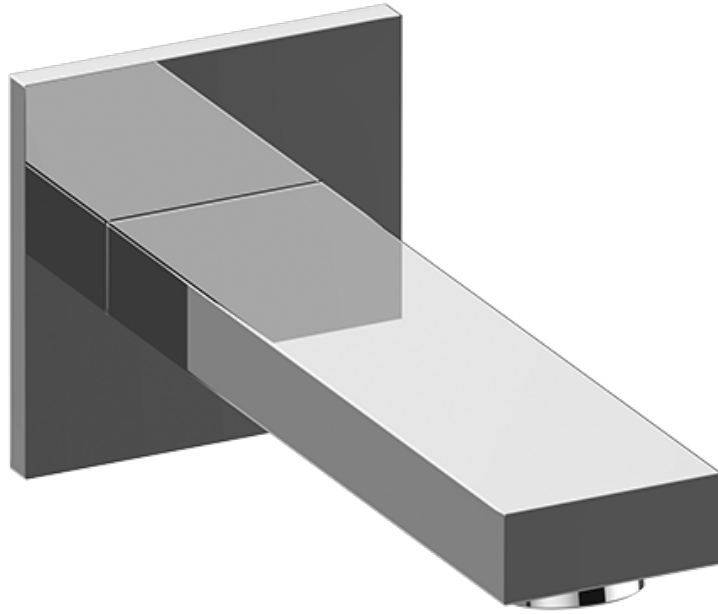
Architectural
White

G-8530



SHOWER
8" Contemporary Tub Spout
G-8575

GRAFF[®]



Information

- Includes spout ring
- 1/2" NPT male thread inlet
- Tub spout flow rate ~ 8.7 gpm @60 psi

Finishes

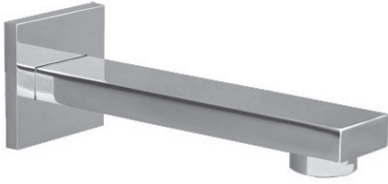


G-8575

Sade Collection

8" Contemporary Tub Spout

GRAFF[®]
CUTTING EDGE DESIGN



Product Features

- Includes spout ring
- 1/2" NPT male thread inlet

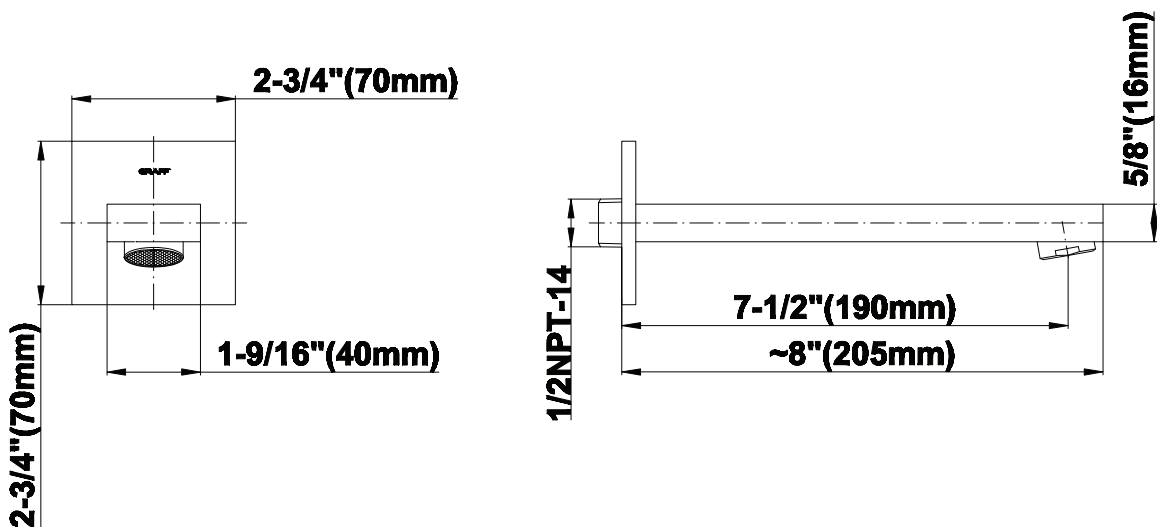
Available Finishes

- Polished Chrome
G-8575-PC
- Polished Nickel
G-8575-PN
- Steelnox® (Satin Nickel)
G-8575-SN
- Olive Bronze™
G-8575-OB
- Architectural Black with
Chrome Accents
G-8575-PC/BK

Warranty

- Limited lifetime warranty

For complete warranty information go to
www.graff-faucets.com/en-nam/warranty



The measurements shown are for reference only. Products and specifications shown are subject to change without notice. Revised 08/2015.

www.graff-faucets.com | phone: 800-954-4723