

BATHROOM
M.E. Roman Tub
G-6152-C17B

GRAFF®

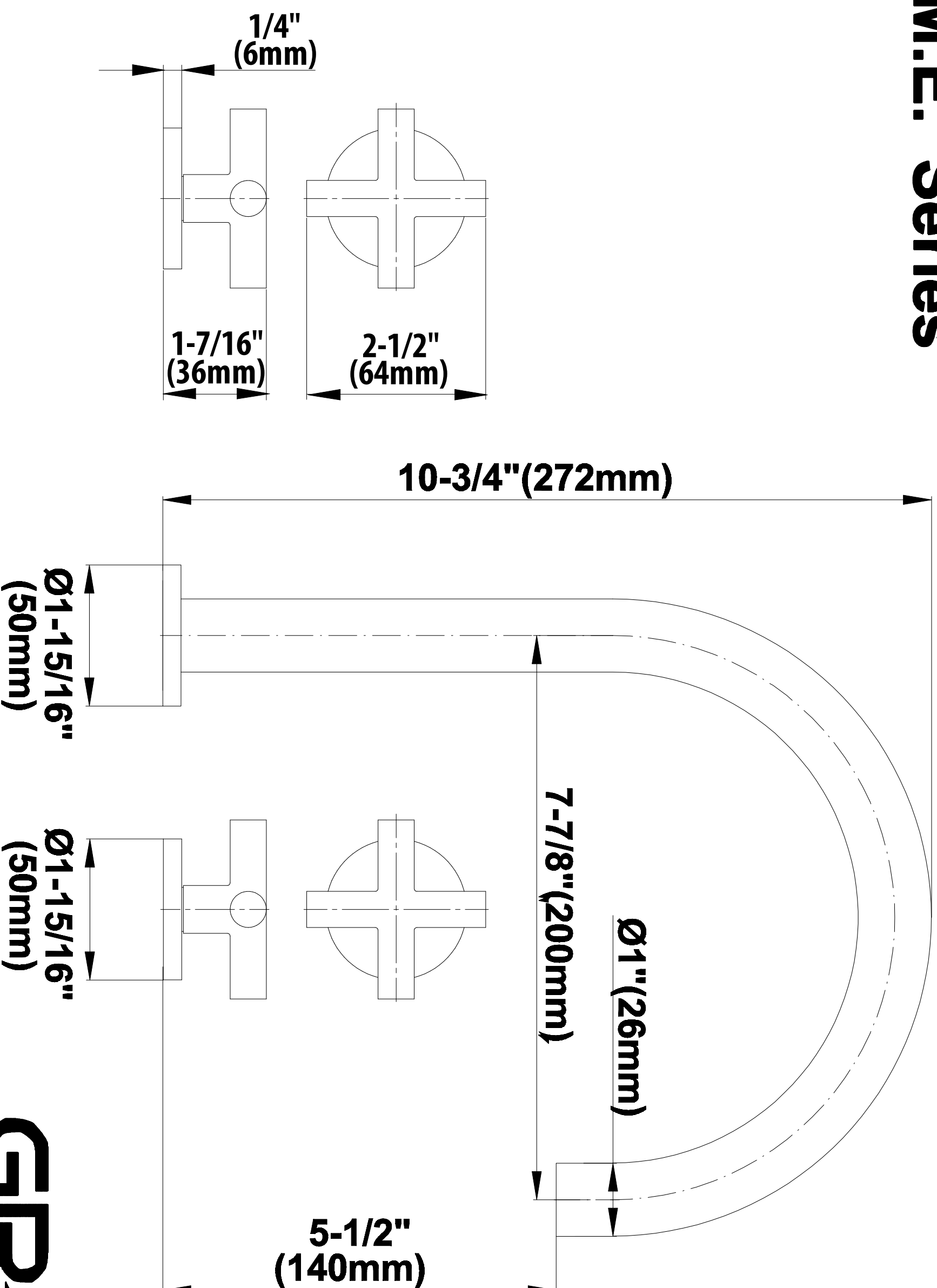


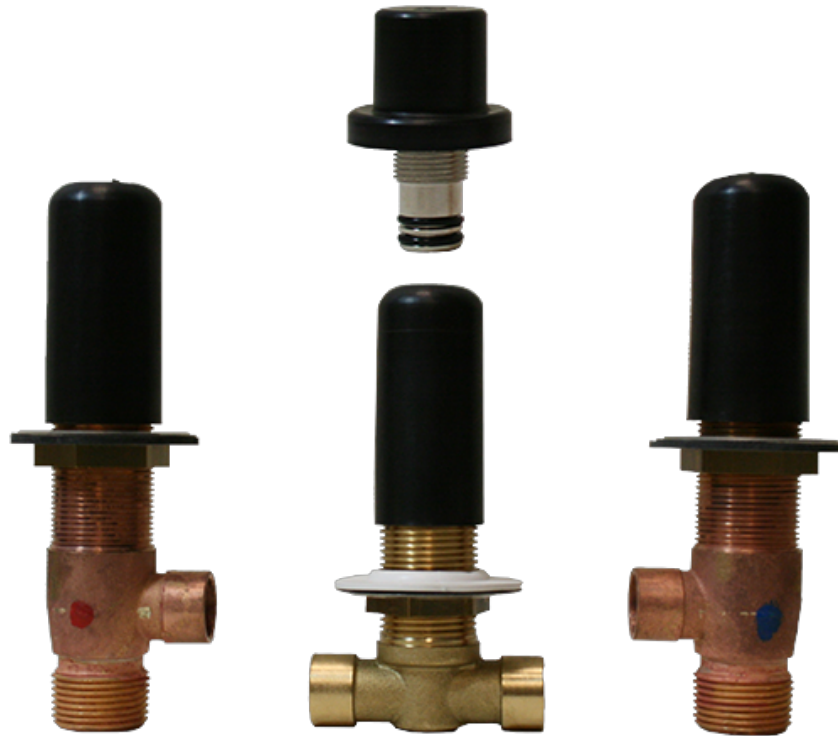
Information

- Aerated flow rate 13 gpm @ 45 psi
- Matching deck-mounted handshower & diverter set available
- ADA

G-6152-C17B

M.E. Series





Information

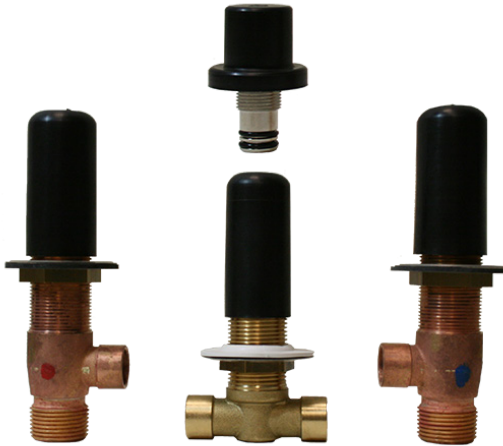
- 3/4" male NPT inlets
- Quick connect tub spout

Finishes



Product Features

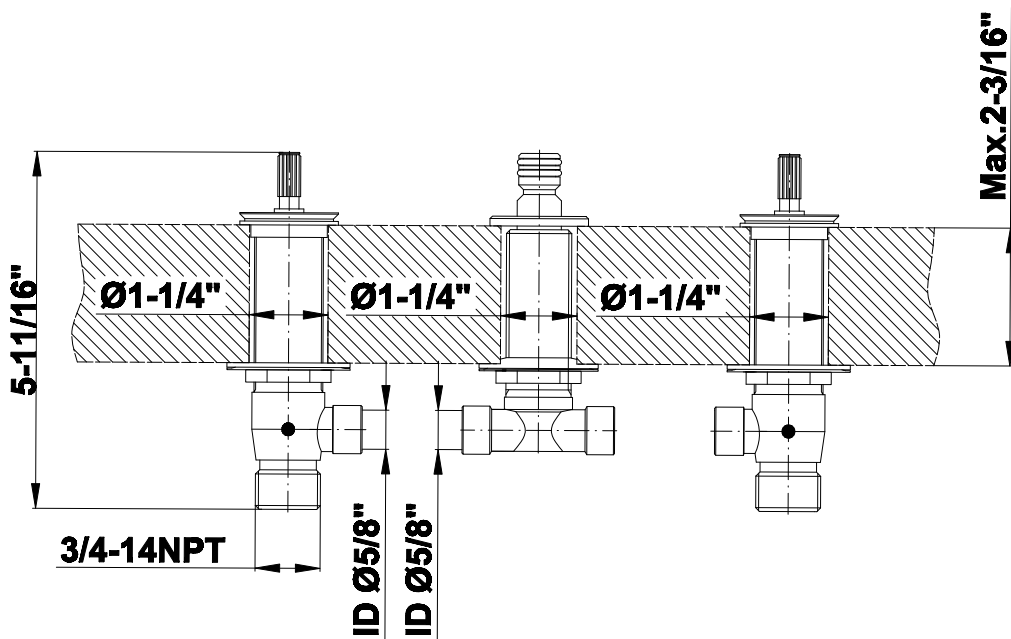
- 3/4" male NPT inlets
- Quick connect tub spout



Warranty

- Limited lifetime warranty

For complete warranty information go to: www.graff-faucets.com/en/info/faqs





Information

- Aerated flow rate 13 gpm @ 45 psi
- Matching deck-mounted handshower & diverter set available
- ADA

Finishes



G-6152-C17B

M.E. Series

