



Information

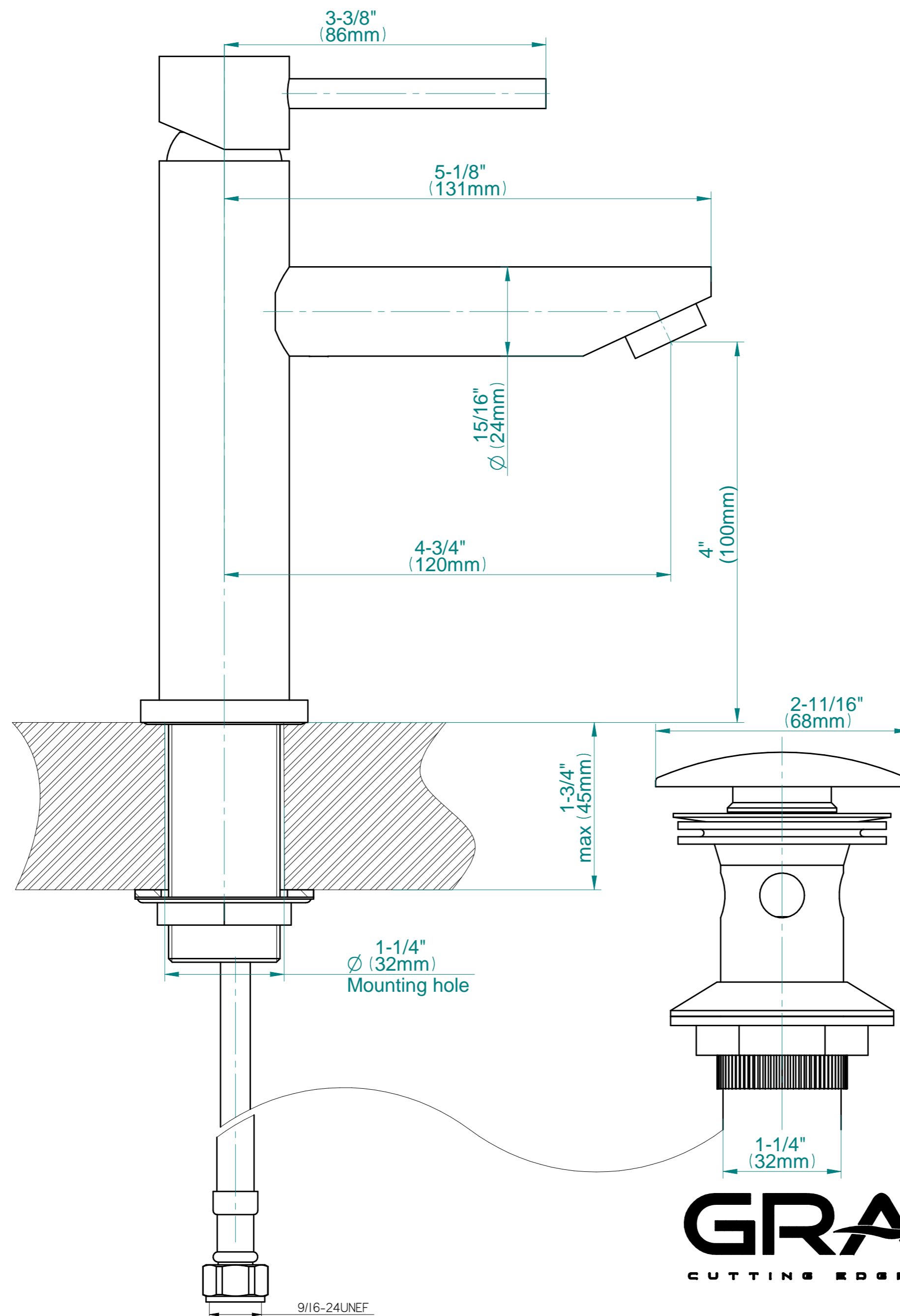
- Single-hole installation
- Aerated flow rate ≤ 1.2 max gpm
- 4-3/4" spout length
- Includes push-top umbrella pop-up drain with overflow
- Optional matching decorative trap G-9970
- ADA
- CALGreen

Finishes



G-6103-LM41

ME 25 Series



GRAFF[®]
CUTTING EDGE DESIGN