

SHOWER
Pressure Balancing Valve Trim
with Handle
G-7035-LM48S-T

GRAFF[®]



Information

- Single metal handle and decorative trim plate
- Use with G-7005 pressure balancing rough valve
- Available Fall 2017- Call for earlier availability
- ADA

G-7035-LM48S-T

Camden Collection

Pressure Balancing Valve Trim with Handle

GRAFF®



Product Features

- Single metal handle and decorative trim plate
- Use with G-7005 pressure balancing rough valve

Available Finishes

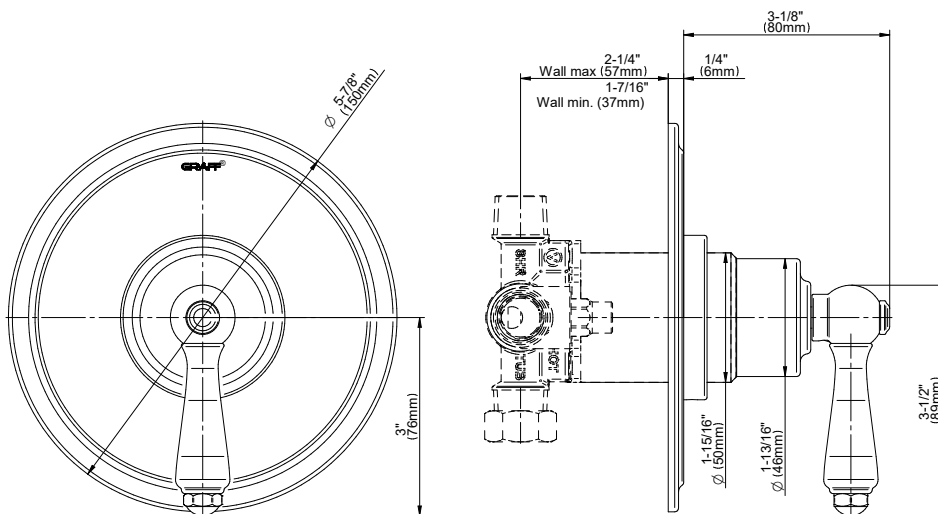
- Polished Chrome
G-7035-LM48S-PC-T
- Brushed Nickel
G-7035-LM48S-BNi-T
- Polished Nickel
G-7035-LM48S-PNi-T
- Unfinished Brass*
G-7035-LM48S-UB-T*
- Olive Bronze
G-7035-LM48S-OB-T
- Gold*
G-7035-LM48S-AU-T*
- Brushed Gold*
G-7035-LM48S-BAU-T*

* Special order finish- call for availability

Warranty

- Limited lifetime warranty

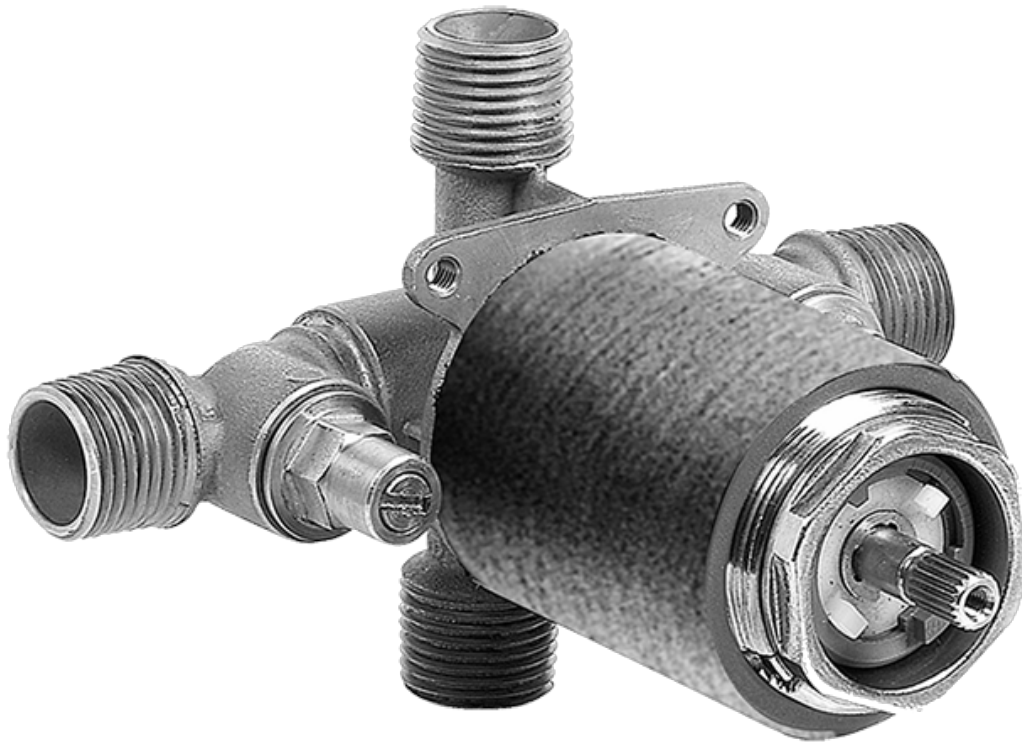
For complete warranty information go to <https://www.graff-faucets.com/en/info/faqs>



The measurements shown are for reference only. Products and specifications shown are subject to change without notice. Revised 03/2018

www.graff-designs.com | phone: 800-954-4723

SHOWER
 Concealed Pressure Balancing
 Valve Rough
G-7005



Information

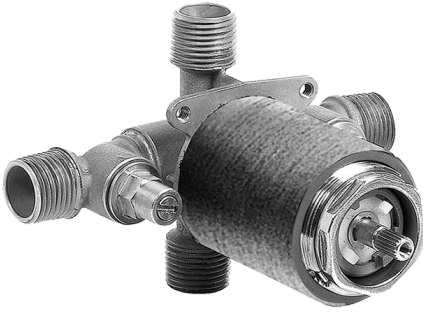
- Anti-scald protection
- 1/2" universal inlets/outlets with male threads
- Built-in service stops
- For use with shower only configuration
- Supplied with protective plastic guard

Finishes



G-7005

Concealed Pressure Balancing Valve Rough



Product Features

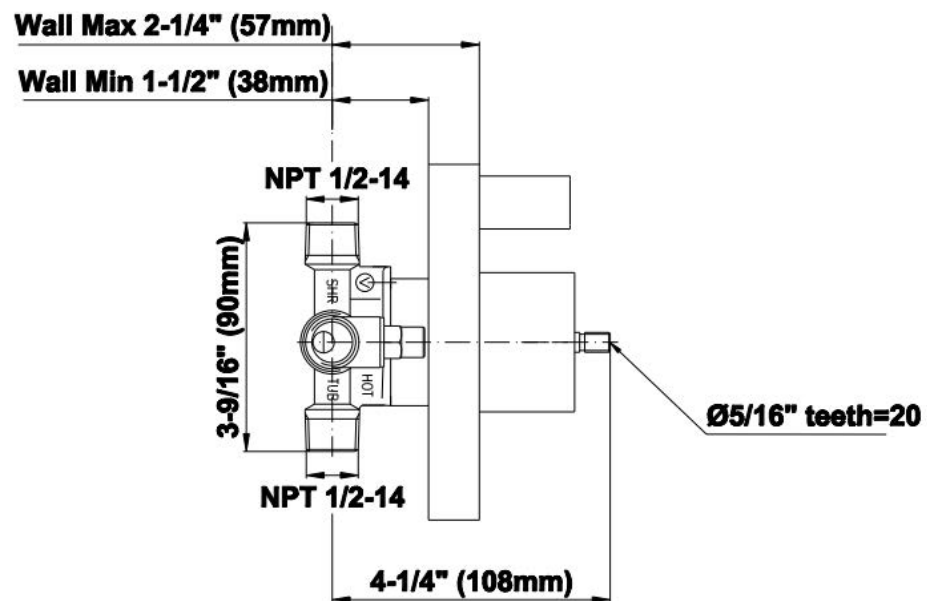
- Anti-scald protection
- 1/2" universal inlets/outlets with male threads
- Built-in service stops
- For use with shower only configuration
- Supplied with protective plastic guard

Warranty

- Limited lifetime warranty

For complete warranty information go to www.graff-faucets.com/en/info/faqs

Pressure Balance Rough G-7005



The measurements shown are for reference only. Products and specifications shown are subject to change without notice. Revised 7/2017.

www.graff-faucets.com | phone: 800-954-4723