

## Toilet Tissue Holder 4627

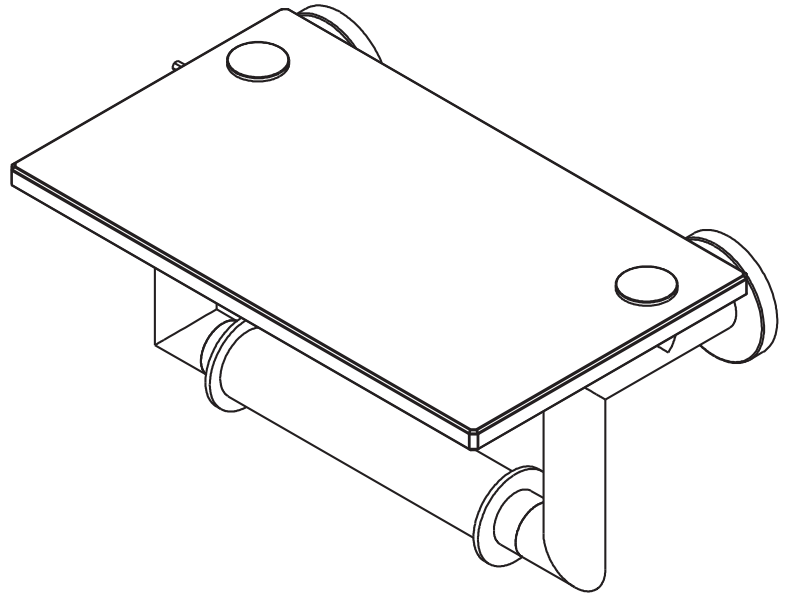
### Features

- Solid brass construction
- Double-post design with pivoting roller and tempered glass shelf
- Complements Kubic product series

### Codes / Standards Compliance

Meets or exceeds the following at date of manufacture:

- All applicable US Federal and State material regulations



### Colors / Finishes

- PC: Polished Chrome
- PN: Polished Nickel
- SN: Satin Nickel

### Specified Model

Model	Description	Colors   Finishes
4627	Toilet Tissue Holder with Glass Shelf	<input type="checkbox"/> PC <input type="checkbox"/> PN <input type="checkbox"/> SN

### Product Specification: Add "Color / Finish" Suffix to Model Number Below.

The Toilet Tissue Holder shall be made of solid brass construction and incorporate a single-post, open roller design. Toilet Tissue Holder shall complement Ginger Kubic product series. Toilet Tissue Holder shall be Ginger Model 4627/\_\_\_\_.

# 4627

## Product Dimensions *(units are in inches)*

