
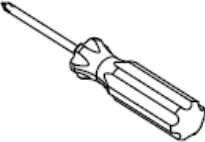

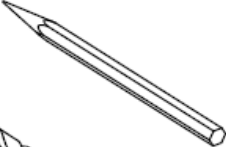

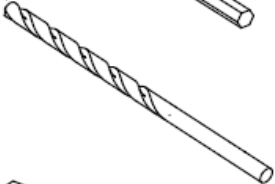

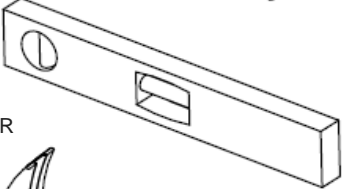

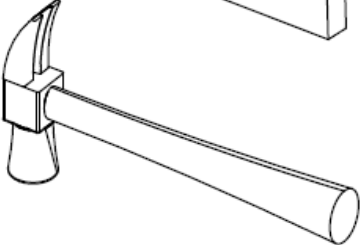




ITEMS INCLUDED	TOOLS REQUIRED
DRY WALL ANCHOR X 4 	PHILLIPS SCREW DRIVER 
TILE ANCHOR X 4 	PEN / PENCIL 
#8 SCREW X 4 	1/4" (6 mm) DRILL 
MOUNTING BRACKET X 2 	LEVEL SET 
1/4-28 SET SCREW X 2 	HAMMER 
1/8" HEX KEY X 1 	
TEMPERED GLASS SHELF WITH BRACKETS X 1 	

CINU

INSTALLATION INSTRUCTIONS

4734T-24

TEMPERED GLASS SHELF WITH BRACKETS

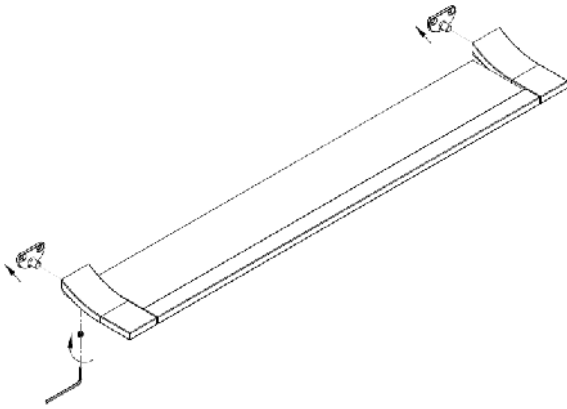
GINGER
Luxury For Your Lifestyle™

2001 CARNEGIE AVE, SANTA ANA CA 92705

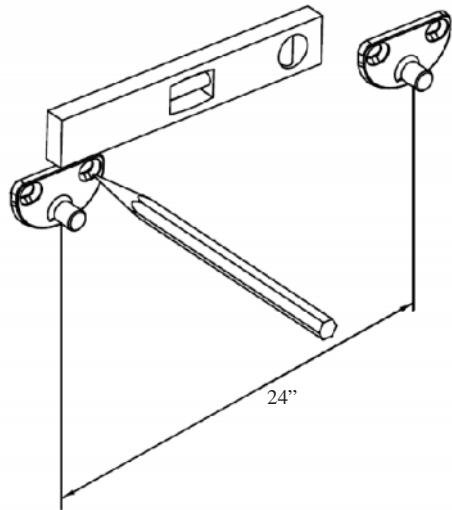
(949) 417-5207

WWW.GINGERCO.COM

① REMOVE MOUNTING BRACKETS



② ALIGN MOUNTING BRACKETS AND MARK LOCATION



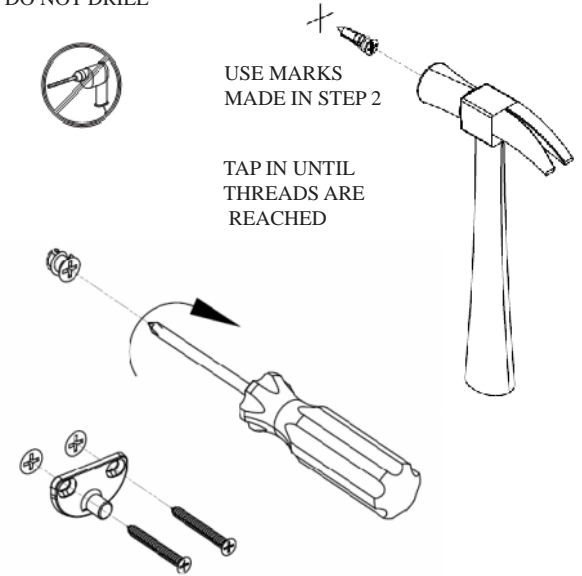
③ DRY WALL INSTALLATION

DO NOT DRILL



USE MARKS
MADE IN STEP 2

TAP IN UNTIL
THREADS ARE
REACHED

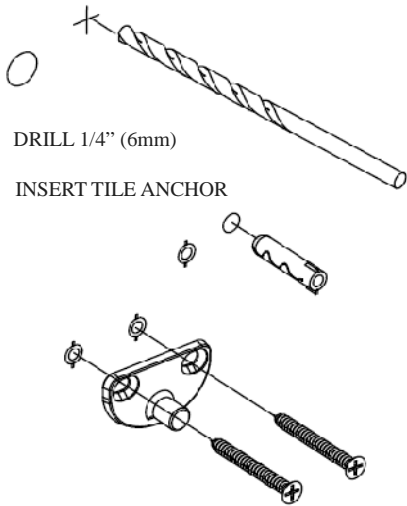


④ TILE OR SOLID WALL INSTALLATION

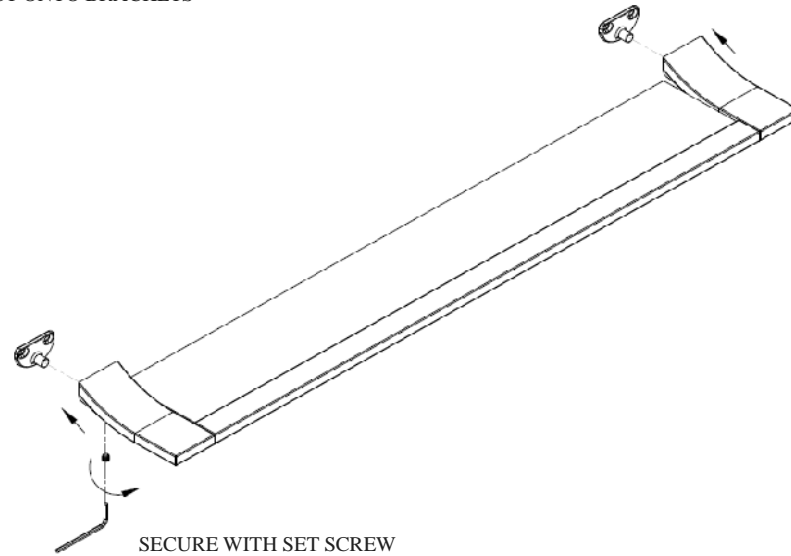
USE MARKS MADE IN STEP 2

DRILL 1/4" (6mm)

INSERT TILE ANCHOR



⑤ INSTALL PRODUCT ONTO BRACKETS



SECURE WITH SET SCREW