

*Complement  
your purchase  
with these  
fine accessories  
also from  
GINGER®*

*Towel Bars  
Towel Rings  
Toilet Tissue Holders  
Hooks  
Soap Dishes  
Tumbler Holders  
Toiletry Shelves  
Grab Bars  
Mirrors  
Lights  
Bud Vases  
Hotel Shelves  
Shower Curtain Rods  
Soap & Bottle Baskets  
Cabinet Hardware*

**GINGER**  
*Luxury For Your Lifestyle™*

2001 CARNEGIE AVENUE  
SANTA ANA, CA 92705  
949-417-5207  
[www.gingerco.com](http://www.gingerco.com)

# SURFACE™

## INSTALLATION INSTRUCTIONS

for  
Double  
Light

**GINGER**  
*Luxury For Your Lifestyle™*

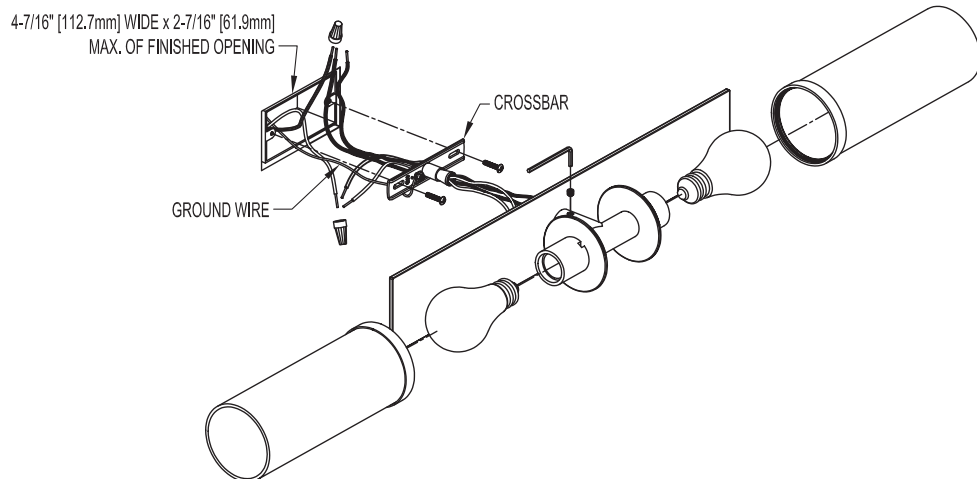
# INSTALLATION INSTRUCTIONS

**SURFACE™**

**LIGHT**

**MODEL 2882**

**ADA COMPLIANT**



## INSTALLATION INSTRUCTIONS:

THESE LIGHTS SHOULD BE INSTALLED BY A LICENSED ELECTRICAL CONTRACTOR.

POWER REQUIREMENTS: 100 - 120 VOLTS

SAFETY: TO PREVENT ELECTRICAL SHOCK, BE SURE THAT THE POWER IS OFF BEFORE STARTING INSTALLATION.

## NOTES TO INSTALLER:

A. THE BACKPLATE OF THIS FIXTURE WILL COVER A HOLE WITH A MAXIMUM SIZE OF 4-7/16" (112.7 mm) WIDE x 2-7/16" (61.9mm) TALL. THE CROSSBAR IS DESIGNED TO MOUNT DIRECTLY ONTO A STANDARD OUTLET BOX WHICH SHOULD NOT PROTRUDE FROM THE FINISHED WALL SURFACE.

B. THIS LIGHT MAY BE INSTALLED VERTICALLY IF PREFERRED.

## INSTALLATION:

1. INSTALL CROSSBAR ONTO OUTLET BOX.
2. CONNECT THE HOUSE GROUND WIRE TO THE CROSSBAR WITH THE ATTACHED GREEN GROUND SCREW.
3. FEED THE LIGHT FIXTURE WIRES THROUGH THE SPINDLE ON THE CROSSBAR.
4. CONNECT THE WHITE WIRES OF THE FIXTURE TO THE HOUSE NEUTRAL (WHITE) WIRE WITH A WIRENUT.
5. CONNECT THE BLACK WIRES OF THE FIXTURE TO THE HOUSE HOT (BLACK) WIRE WITH A WIRENUT.
6. SLIDE THE FIXTURE OVER THE SPINDLE OF THE CROSSBAR UNTIL THE BACKPLATE IS FLUSH AGAINST THE WALL. TIGHTEN THE SETSCREW WITH THE PROVIDED WRENCH.
7. INSTALL LIGHT BULBS.
8. SCREW SHADES ONTO FIXTURE. DO NOT OVERTIGHTEN.

## CARE OF FINE BRASS

*To clean, use warm water only.  
NEVER use abrasives or detergents.*