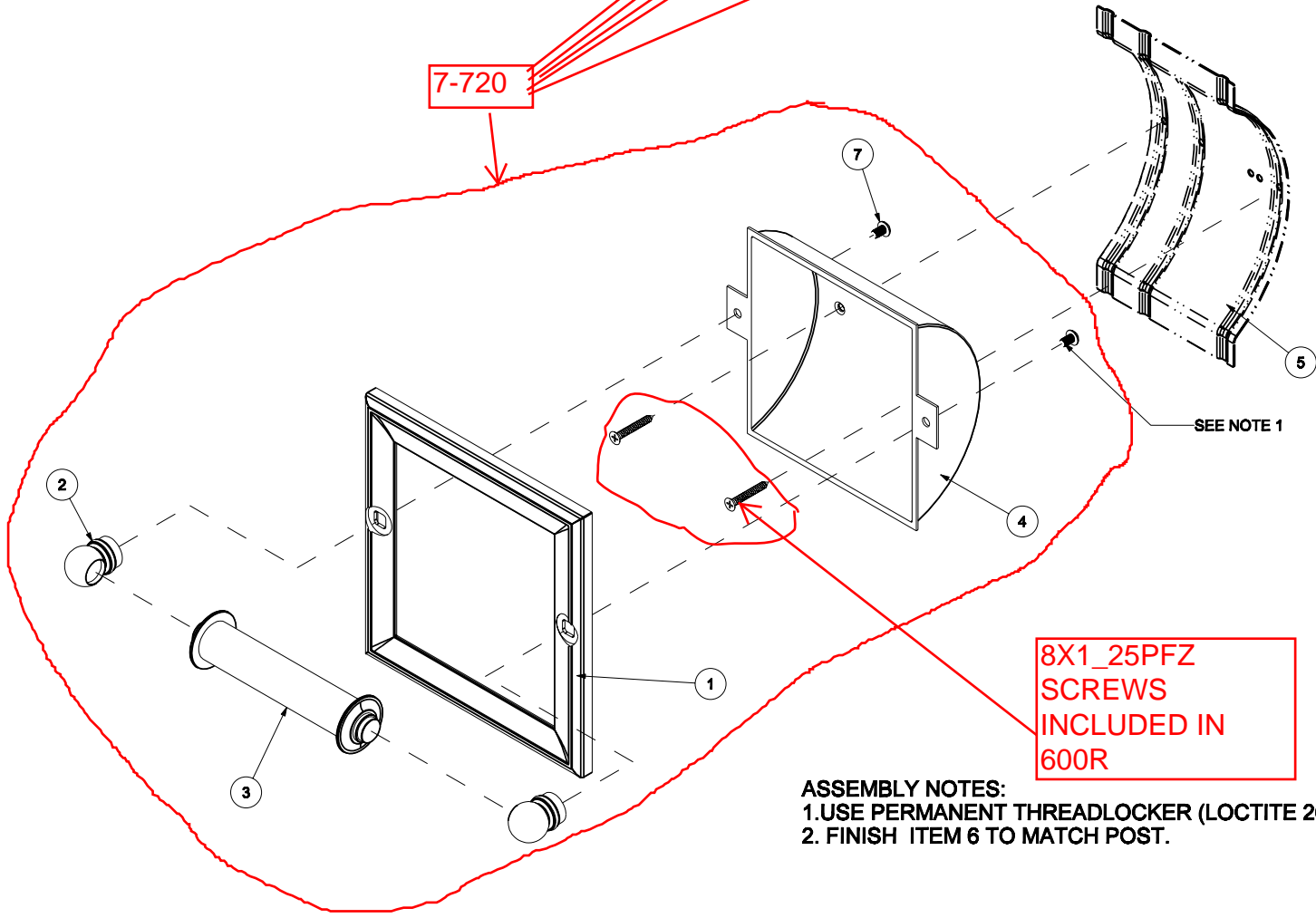


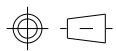
**BILL OF MATERIAL**

ITEM	PT/ASSY	DESCRIPTION	QTY.	DWG.NO.
1	4528FP	FRONT PANEL	1	45A-054
2	4528TP	TISSUE POST	2	45A-055
3	1108TN	FLANGED TISSUE ROLLER	1	HEX-018
4	4528RC	RECESSED COVER	1	45A-056
5	600R	RECESSED WALL CLAMP	1	PURCHASED ITEM
6	8X1_25PFZ	NO.8 x 1-1/4" PHILLIPS FLAT HEAD Z. P. T. S.	2	-
7	M5-8KSB	M5 x 8 BUTTON SOCKET HEAD CAP SCREW	2	-

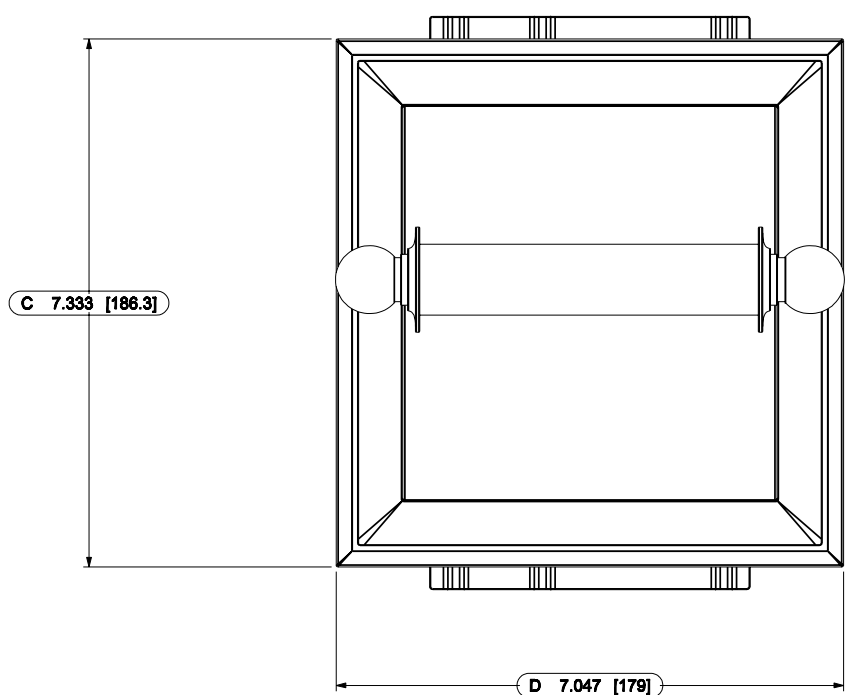
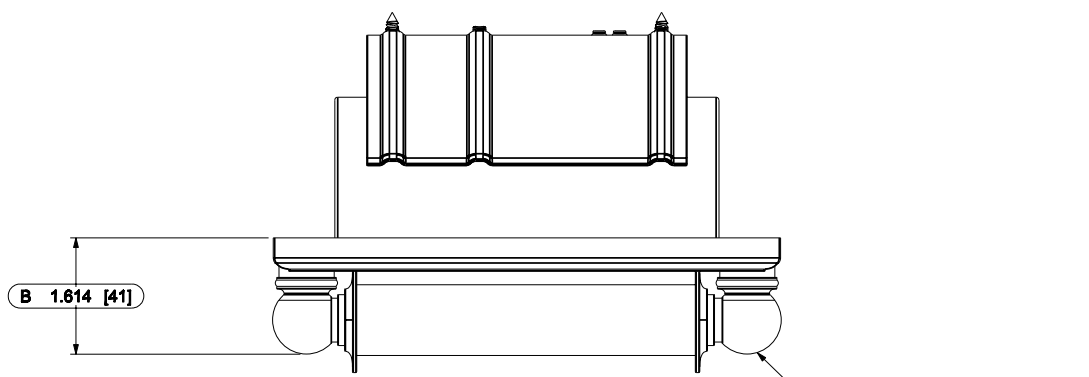
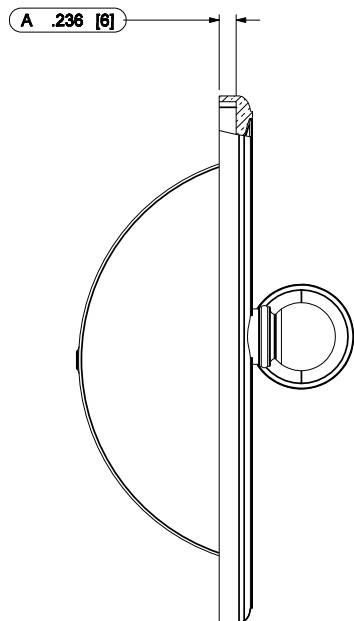


**ASSEMBLY NOTES:**  
 1. USE PERMANENT THREADLOCKER (LOCTITE 262 OR EQUIVALENT) ON ITEM 7.  
 2. FINISH ITEM 6 TO MATCH POST.

FINISHES:AGD- ANTIQUE GOLD, AS- ANTIQUE SILVER, 10B- OIL RUBBED BRONZE,14- POLISHED NICKEL, 15- SATIN NICKEL, 26 POLISHED CHROME				
MATERIAL: VARIOUS BRASSES AND STAINLESS STEEL HARDWARE				
PART NO.	4528	TT HOLDER RECESSED		
DATE:12.1.06	REV.DATE 5.08.07	REV.B	SCALE 1:4	COLUMNAR



**GINGER**  
 DWG.NO.  
 4528

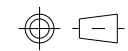


FINISHES: A-0- ANTIQUE GOLD, A-8- ANTIQUE SILVER 3- POLISHED BRASS, 10- OIL RUBBED BRONZE, 14- POLISHED NICKEL, 15- SATIN NICKEL, 15A- ANTIQUE NICKEL, 26 POLISHED CHROME

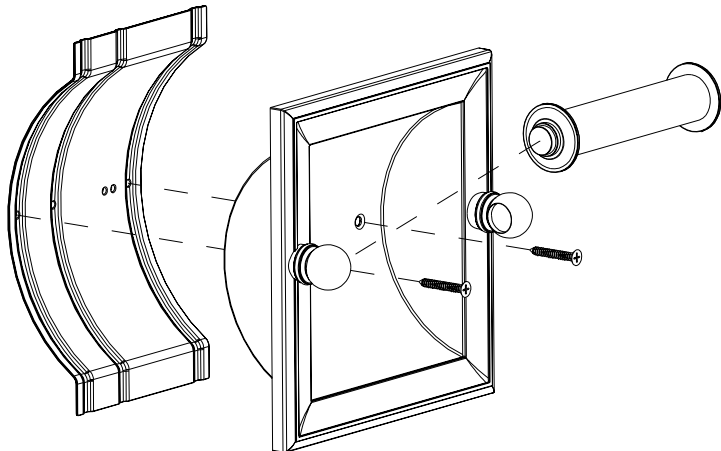
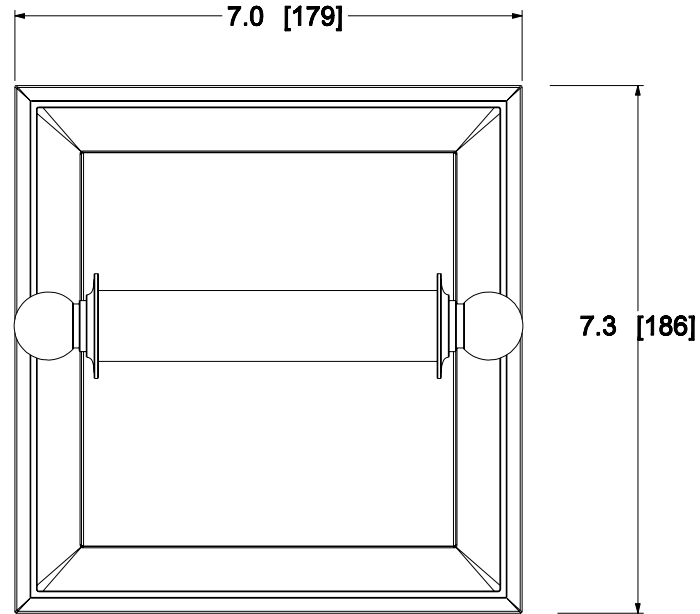
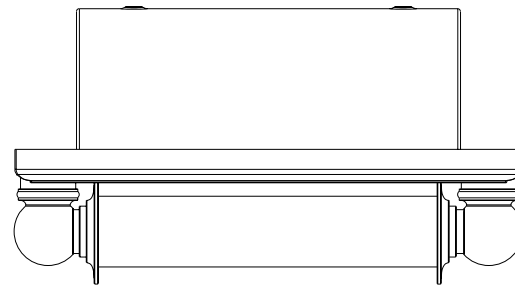
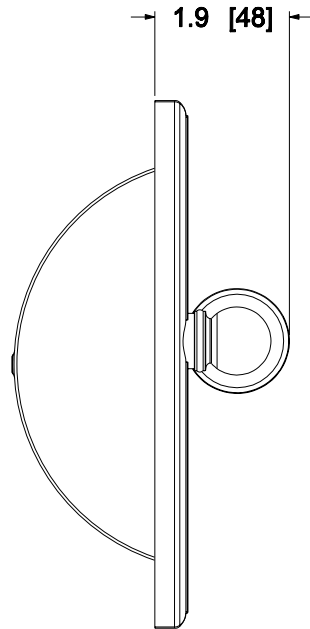
MATERIAL: VARIOUS BRASSES AND STAINLESS STEEL HARDWARE

PART NO. 4528 TT HOLDER RECESSED

DATE: 12.1.06 REV. DATE: 5.8.07 REV. B SCALE 3:8 COLUMNAR



GINGER  
DWG. NO. 4528



FINISHES: A0- ANTIQUE GOLD, A8- ANTIQUE SILVER, 10B- OIL RUBBED BRONZE, 14- POLISHED NICKEL, 16- SATIN NICKEL, 26 POLISHED CHROME		UNIT: INCH [MM]
MATERIAL: VARIOUS BRASSES, STAINLESS STEEL MOUNTING HARDWARE		WEIGHT: 3LBS. 7OZ. [1.57 KG.]
PART NO.	4528	<b>RECESSED TISSUE HOLDER</b>
DATE: 4.17.07	REV. DATE:	SCALE 3:8
		COLUMNAR

**GINGER**  
 DWG. NO.  
 PD-4528

