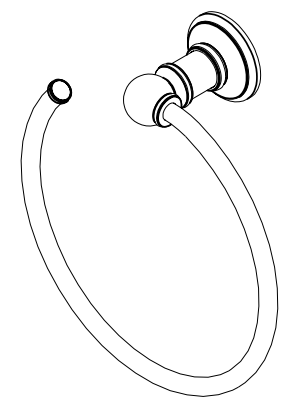


**BILL OF MATERIAL**

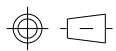
ITEM	PT/ASSY	DESCRIPTION	TYPE	QTY.	DWG.NO.
1	45XX	MOUNTING FLANGE	PART	1	45A-002
2	4500	ROSETTE	PART	1	45A-003
3	SM5-5S	M5 x5 STAINLESS STEEL SET SCREW	PART	1	-
4	8_1_5PFZ	NO.8 x 1-1/2" PHILLIPS FLAT HEAD	PART	2	-
5	GCA	NO. 8 -10 WALL ANCHOR PLASTIC	PART	2	-
6	SSPM	DRYWALL ANCHOR	PART	2	-
7	M2_5HK	2.5MM ALLOY STEEL HEX KEY	PART	1	-
8	4505P	TOWEL RING POST	PART	1	45A-025
9	4521F	OPEN TOWEL RING FINIAL	PART	1	45A-026
10	4521FL	TOWEL RING FLANGE	PART	1	45A-022
11	4521R	OPEN TOWEL RING	PART	1	45A-028
12	4521I	OPEN TOWEL RING INSERT	PART	1	45A-028
13	SM6-10DS	M6 x 10MM DOG POINT STAINLESS STEEL SET SCREW	PART	1	-
14	4521RF	OPEN TOWEL RING FINIAL	PART	1	45A-028

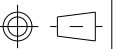
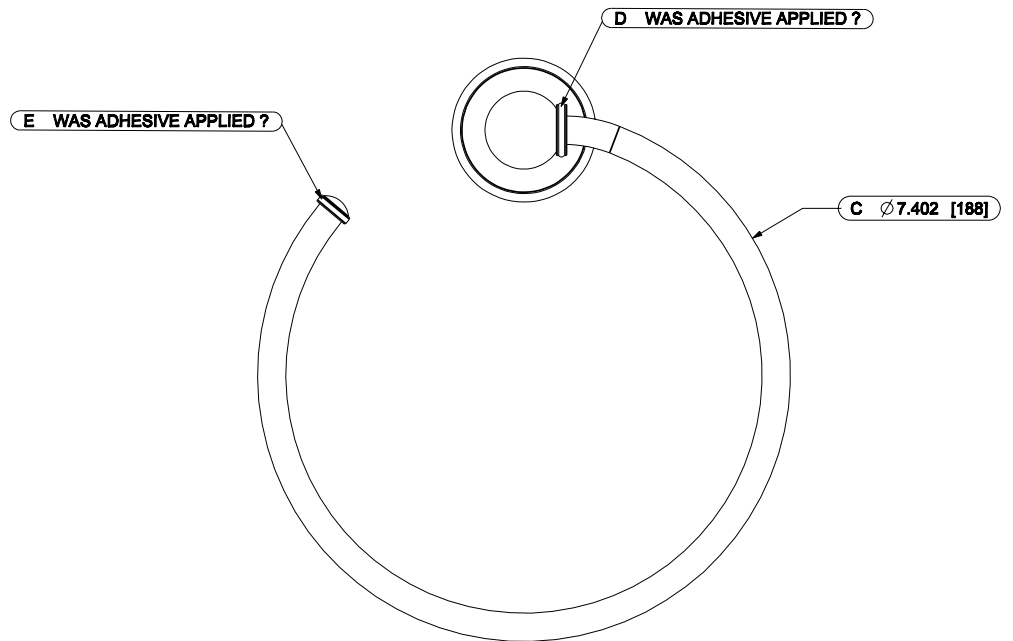
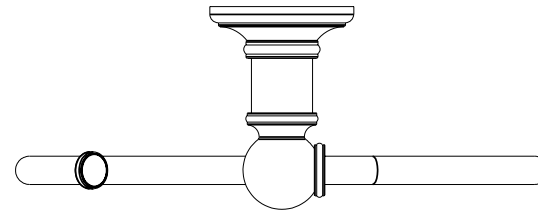
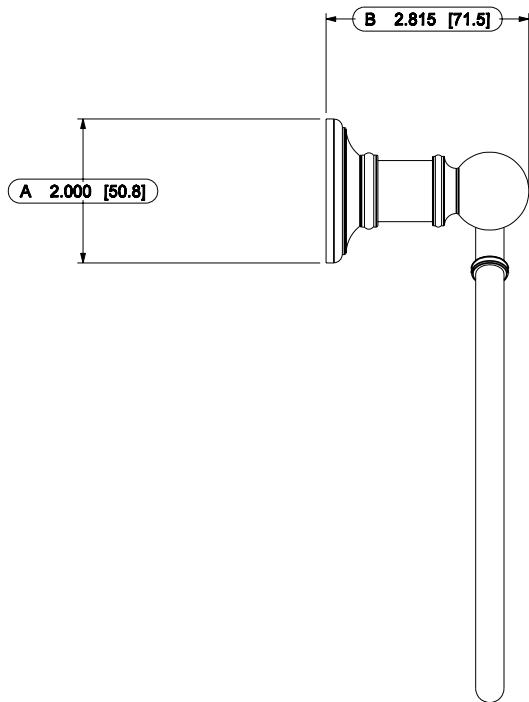


SCALE 0.250

**ASSEMBLY NOTES:**  
 1. APPLY PERMANENT THREAD LOCKER (LOCTITE 262).

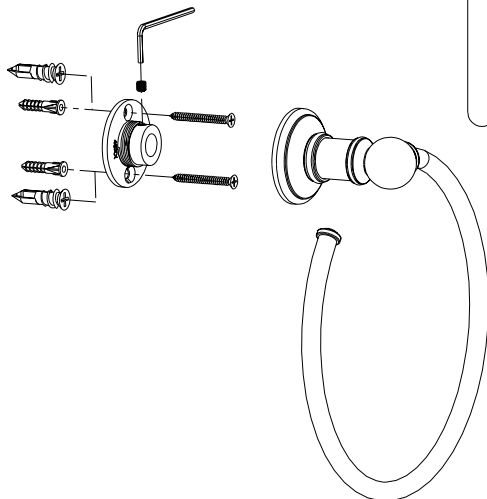
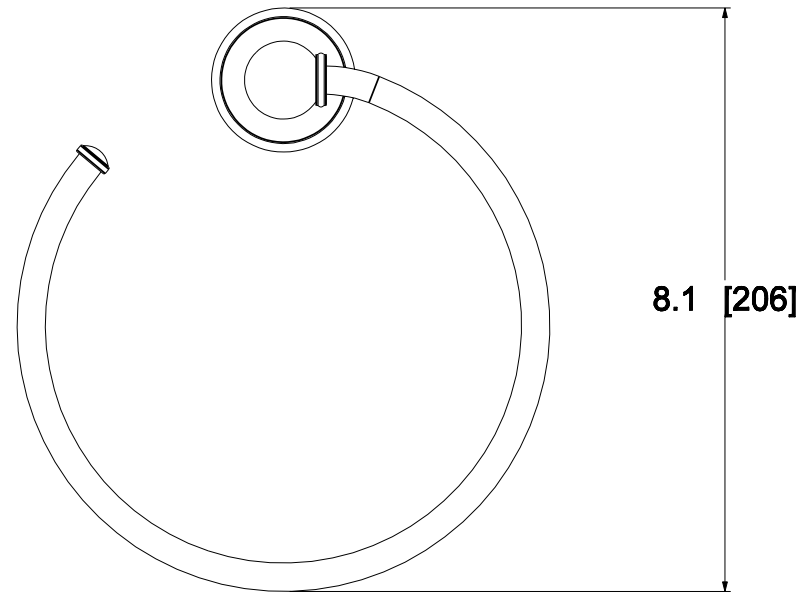
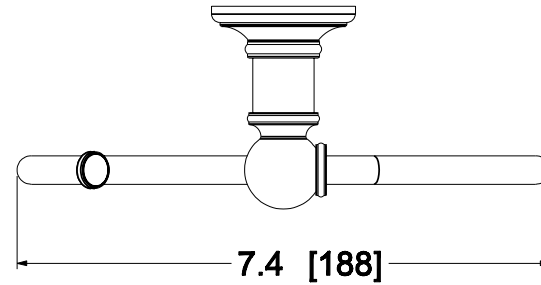
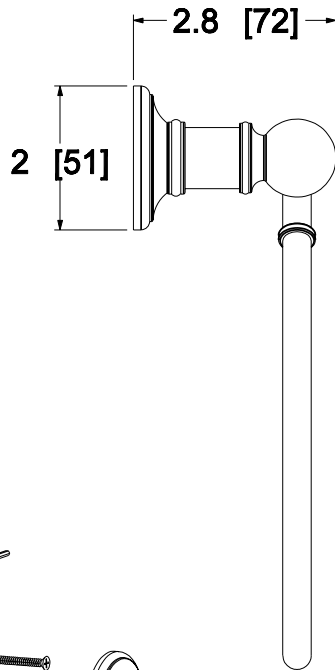
FINISHES:AGD- ANTIQUE GOLD, AS- ANTIQUE SILVER, 10B- OIL RUBBED BRONZE, 14- POLISHED NICKEL, 15- SATIN NICKEL, 26 POLISHED CHROME					GINGER
MATERIAL: STAINLESS MOUNTING HARDWARE, VARIOUS BRASSES					
PART NO.	4521	OPEN TOWEL RING			DWG.NO.
DATE:10.31.06	REV.DATE 6.27.06	REV. B	SCALE 3:8	COLUMNAR	4521





FINISHES:AGD- ANTIQUE GOLD, AS- ANTIQUE SILVER, 10B- OIL RUBBED BRONZE,14- POLISHED NICKEL, 15- SATIN NICKEL, 26 POLISHED CHROME				
MATERIAL: STAINLESS MOUNTING HARDWARE, VARIOUS BRASSES				
PART NO.	4521	OPEN TOWEL RING		
DATE:10.31.06	REV.DATE	REV.A	SCALE 3:8	COLUMNAR

GINGER  
DWG.NO.  
4521



FINISHES: 0- ANTIQUE GOLD, 08- ANTIQUE SILVER, 108- OIL RUBBED BRONZE, 14- POLISHED NICKEL, 15- SATIN NICKEL, 26 POLISHED CHROME			UNIT: INCH [MM]	GINGER
MATERIAL: VARIOUS BRASSES, STAINLESS STEEL MOUNTING HARDWARE		WEIGHT: 15 OZ. [425 G.]		
PART NO.	4521	OPEN TOWEL RING		
DATE: 4.12.07	REV. DATE:	SCALE 3:8	COLUMNAR	
				DWG. NO. PD-4521

