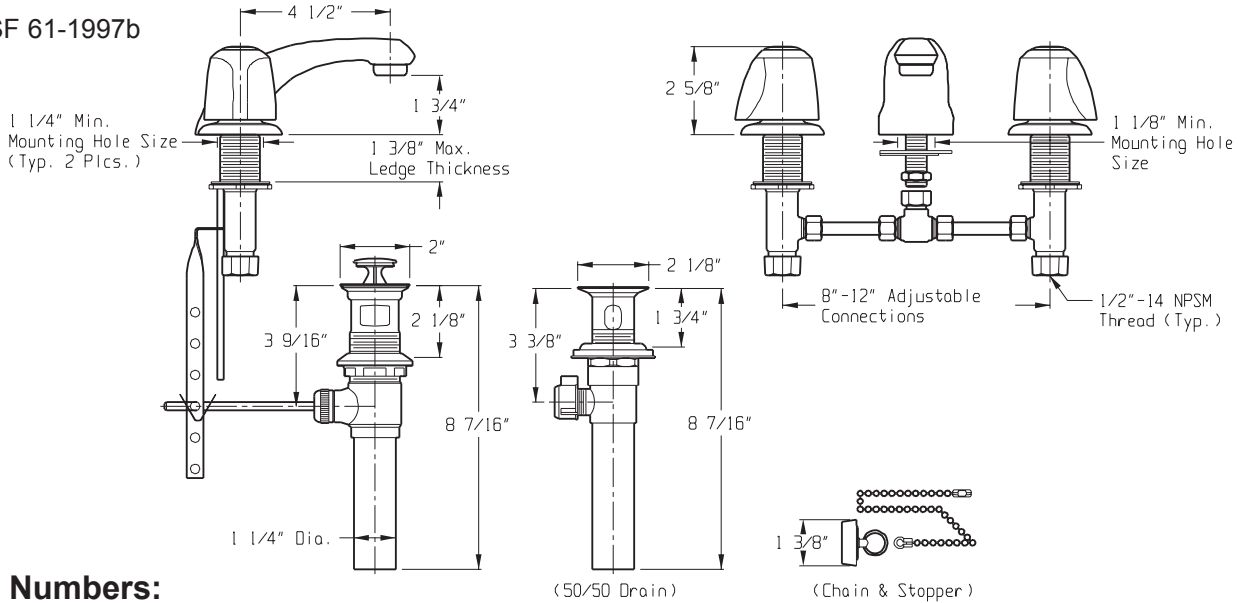
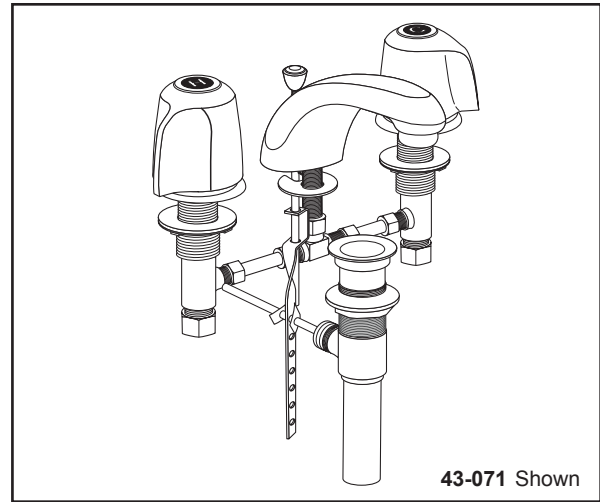


**Features:**

- Cast brass end valves and spout body
- Metal handles with acrylic hot and cold index buttons
- Compression stems with renewable brass seats
- Working parts can be easily replaced
- 8" - 12" rigid copper connectors
- 2.2 gpm (8.3 L/min) @ 60 psi maximum aerator
- ADA compliant handles operate with less than 5 lbs. force

**Technical Specifications:**

- ASME A112.18.1M
- CABO/ANSI A117.1 (ADA)
- CSA B125
- ANSI/NSF 61-1997b



**Catalog Numbers:**

43-071 Brass Pop-up

**Prefixes Available:**

For Less Handles, Ceramic Cartridges, See 53-220 Series

**Suffixes Available:**

-61 Flexible connectors (std w/ceramic)

Job Name	
Date	
Model Specified	
Quantity	
Customer	
Contractor	
Architect/engineer	

GERBER®

PROFESSIONAL PERFORMANCE

Gerber Toll Free Technical Support: 888-648-6466  
www.gerberonline.com

