

Features:

20-197

Included Components:

- ☐ Combination 20-197
- ☐ Tank 28-197
- ☐ Bowl 21-197

- Vitreous China
- 12" Rough-In
- 3" flush valve for maximum water force
- Fluidmaster 400A Fill Valve
- Corrosion resistant Fluidmaster flapper
- Extra-Large Dual fed siphon jets for high power bowl
- 100% glazed, 2" trapway
- Double nut, multi-point tank-to-bowl mounting system for tool-free installation
- Chrome, metal tank lever with solid durable brass arm
- Toilet seat is included



Technical Information:

Configuration	Two Piece, Elongated ErgoHeight™
Water per Flush	1.28 GPF (4.8 LPF)
Rough-In	12"
Height	32 7/16"
Width	16 1/16"
Depth	28 5/8"
Trapway	2"
Large Water Surface	8 11/16" x 6 5/16"
Shipping Weight	121 lbs

Accessories:

- GC550126 Soft Close Toilet Seat
- G0099857 Plastic Bolt Cover Plates

Other Tank Options: (bowl to be purchased separately)

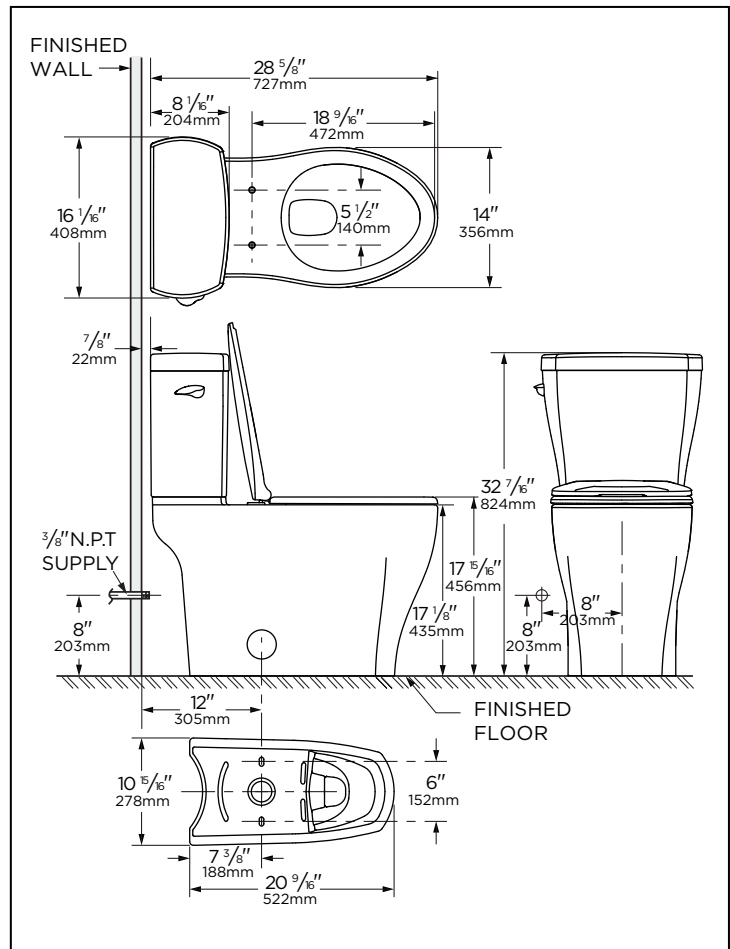
N/A

Available Colors:

- White
- Other: Refer to Price Book for additional colors/finishes

Warranty:

- Limited Lifetime on Vitreous China, refer to the website for more details.



NOTES: All dimensions are in inches and millimeters. Illustrations may not be drawn to scale.

IMPORTANT:

Dimensions of fixtures are nominal and may vary within the range of tolerances established by ASME standard A 112.19.2 THIS FIXTURE QUALIFIES ACCORDING TO ASME TEST PROCEDURES AS A HIGH EFFICIENCY WATER CLOSET WITH AN AVERAGE CONSUMPTION OF 1.28gpf (4.8 Lpf) OR LESS.