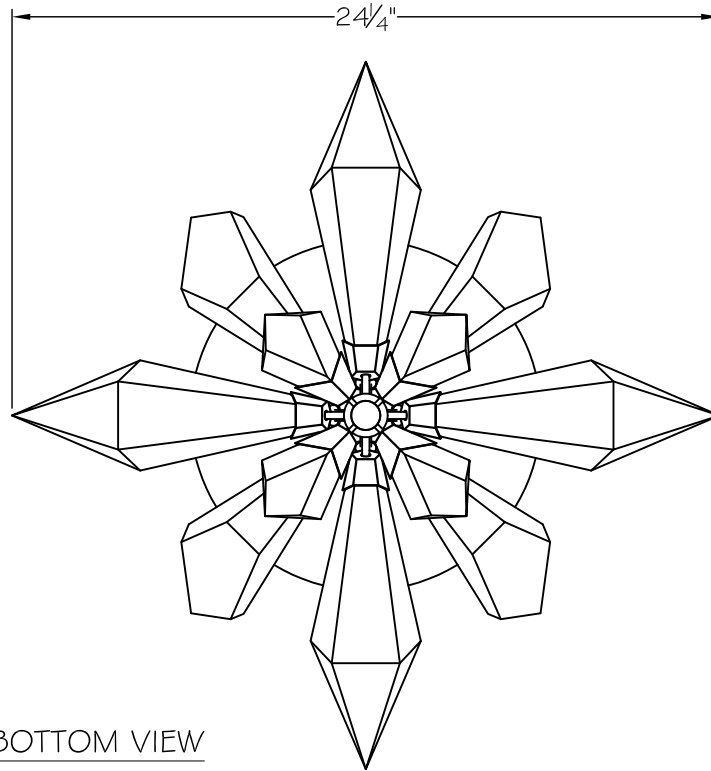
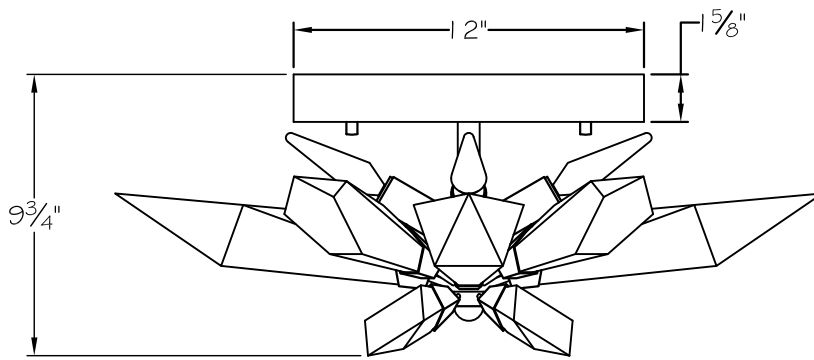


CUSTOMER REFERENCE DRAWING



BOTTOM VIEW



FRONT VIEW

STYLE CONFIGURATIONS:

-1ST SILVER

-2ST GOLD

**FINE
ART
LAMPS®**
EST. 1940

This drawing, specifications and the product depicted are the exclusive property of FINE ART LAMPS®. In compliance with US copyright and patent requirements, notice is hereby given that this document and the product depicted shall not be copied, altered or used in any manner without the expressed written consent of FINE ART LAMPS®.

www.fineartlamps.com
Tel:(305) 821-3850 Fax:(305) 821-1564

STYLE NUMBER:

901840

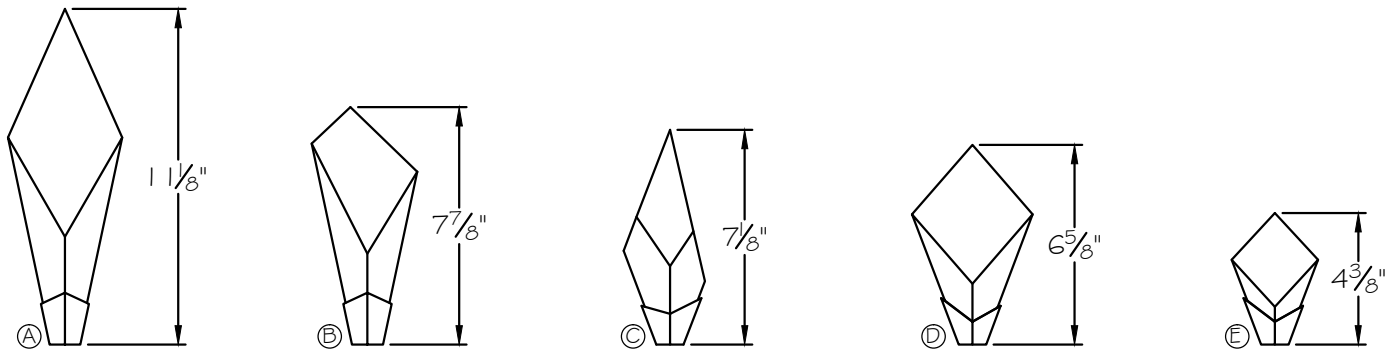
DATE:

10/2/2018

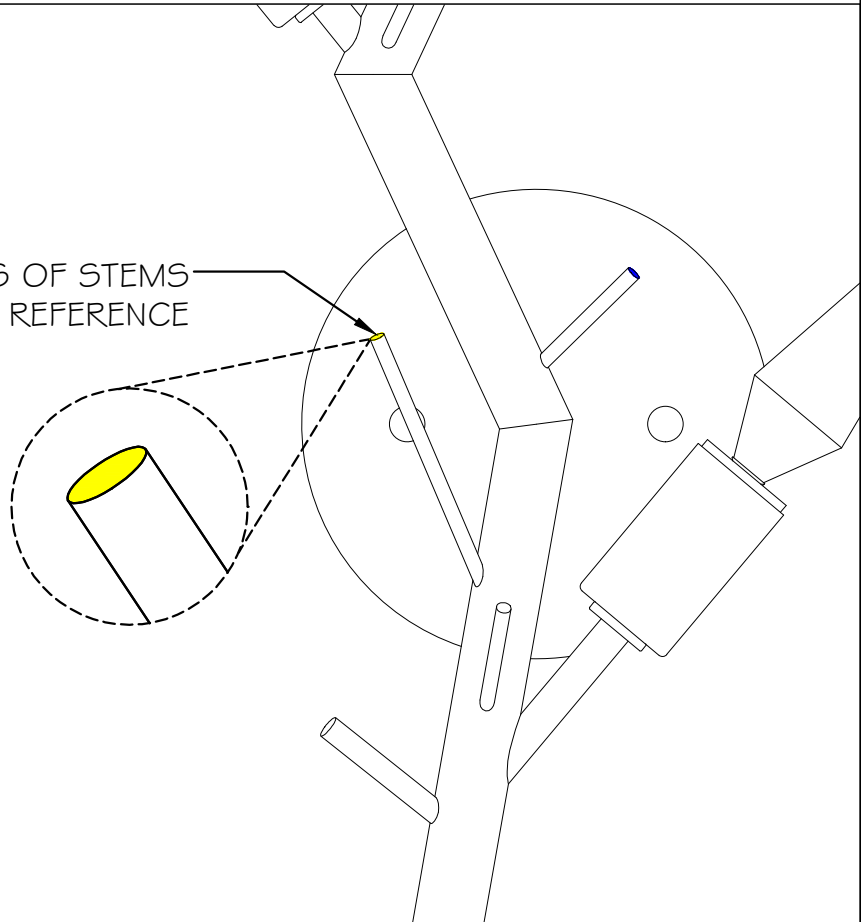
GENERAL

GLASS TYPE	STEM COLOR	GLASS TYPE	STEM COLOR
(A) CRYSTAL #00300940	BLACK	(D) CRYSTAL #00300943	BLUE
(B) CRYSTAL #00300941	ORANGE	(E) CRYSTAL #00300944	GREEN
(C) CRYSTAL #00300942	YELLOW		

(DIMENSIONS ARE FOR REFERENCE ONLY)



SEE COLOR ON ENDS OF STEMS
FOR CRYSTAL SIZE REFERENCE



STEMS REFERENCE VIEW

**FINE
ART
LAMPS®**
EST. 1940

This drawing and specifications are the exclusive property of FINE ART LAMPS® issued in strict confidence and shall not, without the prior written permission of FINE ART LAMPS® be produced, copied or used for any purpose whatsoever except the manufacture articles for FINE ART LAMPS®
www.fineartlamps.com
TEL: (305) 821-3850

STYLE NUMBER:
GENERAL

PART NUMBER:
FORET CRYSTAL REFERENCE