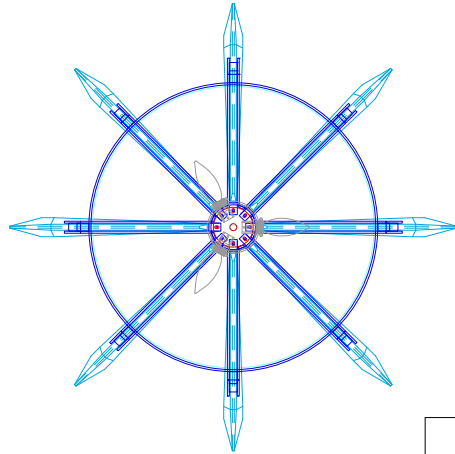
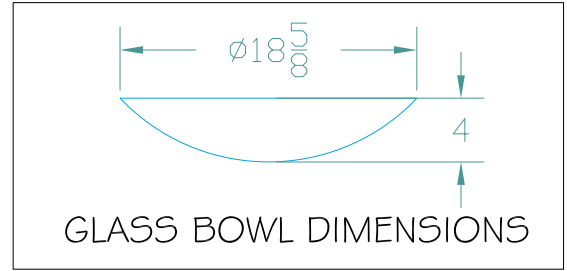


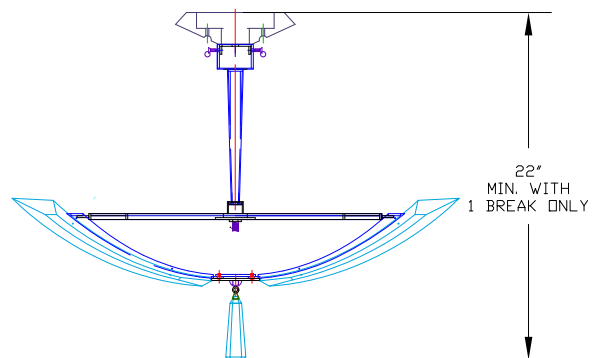
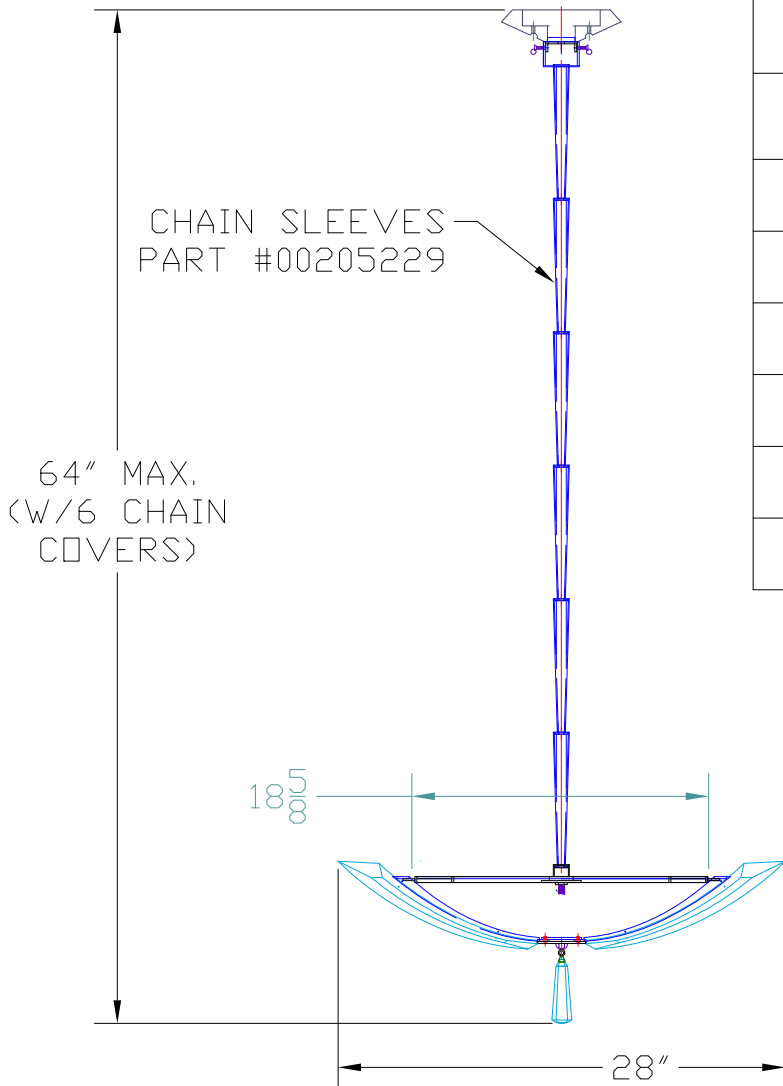
# CUSTOMER REFERENCE DRAWING.

REV.	ECN # IF APPLIC.	REVISION DESCRIPTION	REQD. BY	DRAFTER	DATE
1	NA	ORIGINAL RELEASED VERSION	NA	RT	2/28/11
2	ECN ?	ADD GLASS BOWL DIMENSIONS	CS	JB	5/21/14



NOTE:  
UP TO 9 ADDITIONAL CHAIN  
SLEEVES # 00205229 CAN BE  
PLACED IF USING 72" LONG  
NIPPLE ( O.A.H = 91" )

HEIGHT / CHAIN SLEEVES	
TAKEN FROM TOP OF CANOPY TO BOTTOM OF FINIAL.	
SLEEVES	HEIGHT
6	64
5	55.6
4	47.1
3	38.7
2	30.3
1	22



*Fine Art*  
L A M P S

This drawing and specifications are the exclusive property of BLUMBERG INDUSTRIES, INC. issued in strict confidence and shall not, without the prior written permission of BLUMBERG INDUSTRIES, INC., be produced, copied or used for any purpose whatsoever except the manufacture articles for FINE ART LAMPS.

5770-5772 Miami Lakes Dr. East / Miami Lakes, FL 33014  
Ph: (305) 821-3850 FAX: (305) 821-1564

STYLE NUMBER: 799040ST

PART NUMBER: 00790899