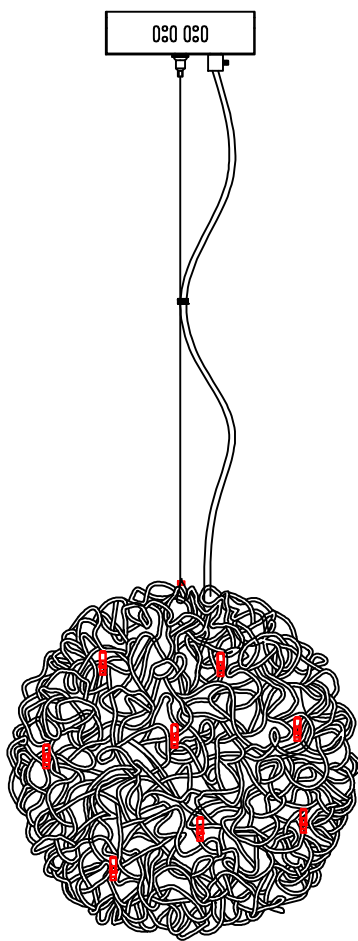




**Contemporary  
Lighting™**

**PRODUCT NAME: Dazed**  
**ITEM NUMBER: E32574-PC**

**Please consult your electrician for hanging fixture and wiring.**



**The fixture is list designed to dim with an Electronic Low Voltage dimmer. Dimming levels will vary by dimmer.**

**Below is a list of recommended dimmers:**

**Lutron DVELV-330P**

**Lutron MAELV-600M**

**Lutron SAELV-153P**

**Leviton IPL06-10Z**

**Leviton 6674-POW**

**Legrand Teu-Universal ADTP703TUW4**

**Due to inrush current, wattage should not exceed 150 Watts of product for a 600 Watt dimmer.**

**WARNING: Wires need to be connected to transformer found in canopy and should not be connected directly to power source or a short may occur**

**Bulbs (Included): 12\*1.2W G4LED**

**MADE IN CHINA**

**Page 1 of (2)**

**IMPORTANT: Turn off the power at the main fuse or circuit breaker box before starting installation**



(A)  
Mounting Bracket

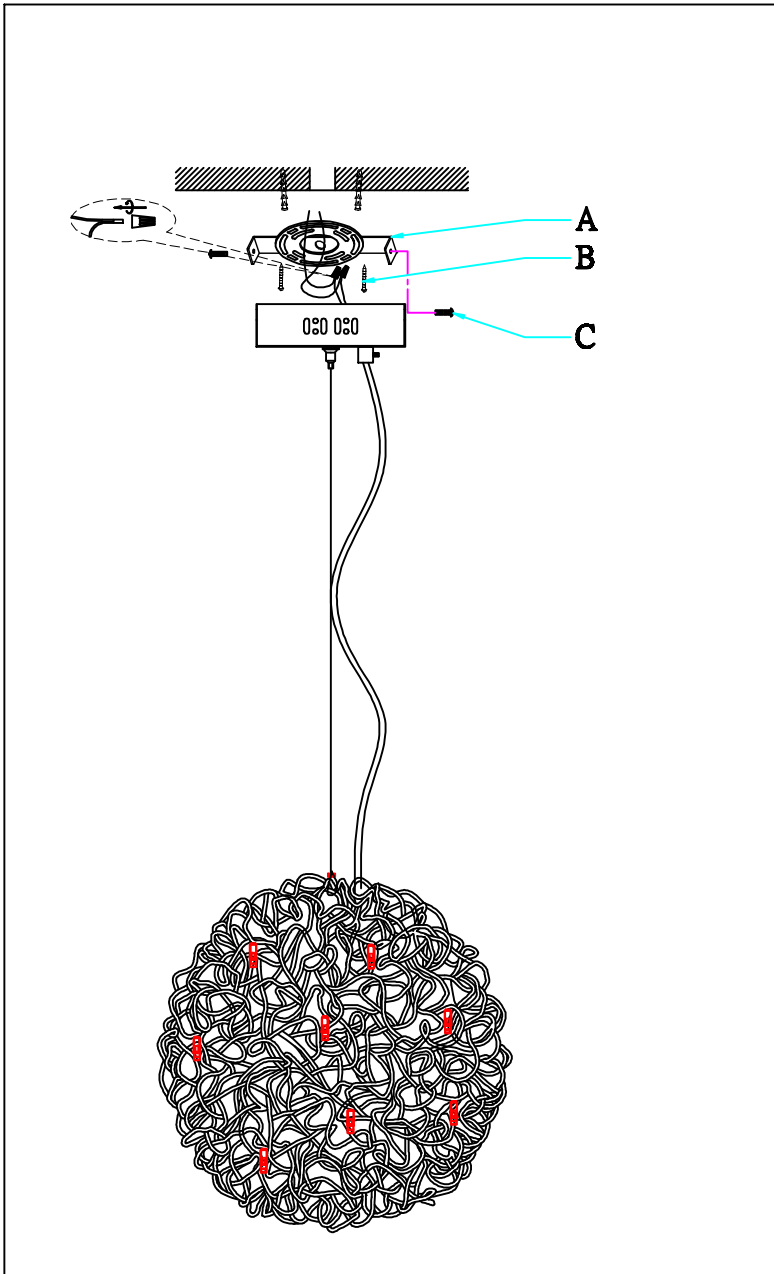


(B)  
Anchor Bolts

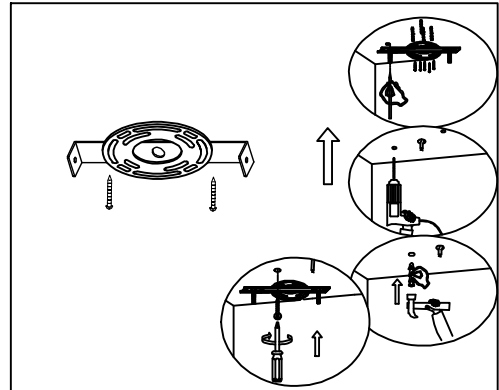


(C)  
Screws

**Locate all hardware & components before discarding packaging**

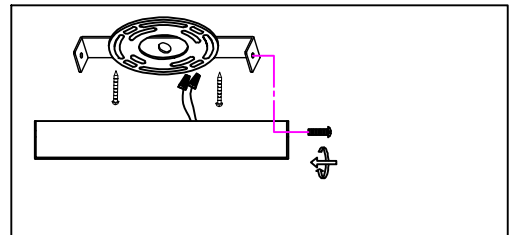


1.)



**Step.1: Remove mounting bracket (A) and install to electrical box. Mark where anchors meet ceiling, remove mounting bracket from ceiling, and then drill holes using  $\frac{3}{16}$ " drill bit where marked (B). Install mounting bracket and attach anchors to secure bracket at ends.**

2.)



**Step.2: Make wire connections. IF wires are adjusted, make sure to correctly re-wire to transformer found in canopy to mounting bracket using the screws on the side of the canopy to secure.**

**Cleaning & Care:**

**Clean with soft cloth and a mild detergent.  
Do not use abrasive cleaner.**