

WARNING: DISCONNECT POWER AT THE MAIN FUSE BOX BEFORE INSTALLATION.

WARNING:

This fixture is intended for installation in accordance with the National Electrical Code (NEC) and all local code specifications. If you are not familiar with code requirements, installation by a certified electrician is recommended.

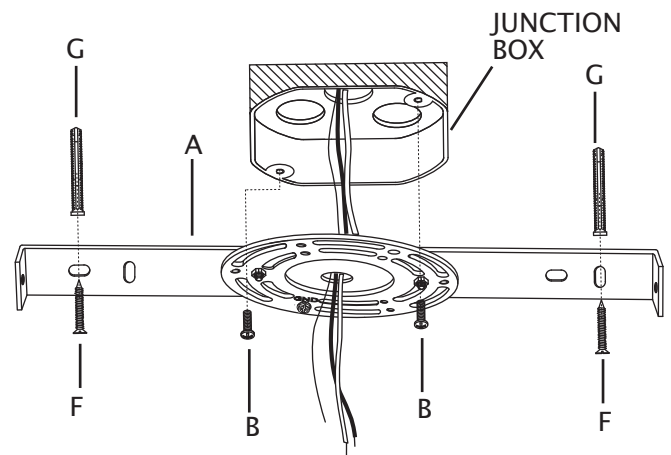
Before assembly, remove all parts and part packages from box. If anything is missing, please contact the retailer from which the product was purchased.

elk HOME

ANY QUESTIONS CALL: 800-613-3261
M-F 8:00AM-6:00PM ET

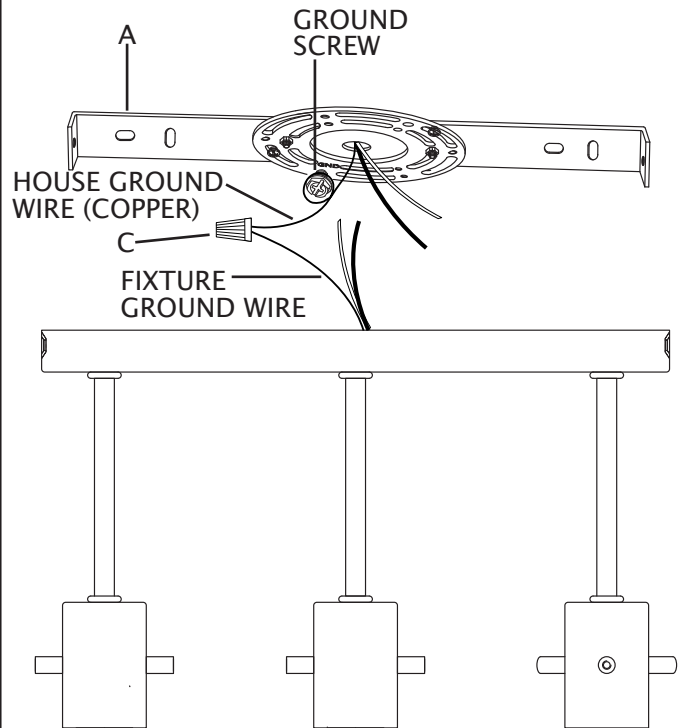
ITEM#: 82197/4

1. Position mounting bracket (A) so the head of ground screw and the tabs are facing down towards floor.
2. Temporarily place the mounting bracket (A) over the junction box. Align the holes in the center of mounting bracket (A) with holes in junction box. Mark on the ceiling the location of each hole at each end of mounting bracket (A). Place mounting bracket (A) aside.
3. Using a drill bit the appropriate size of the wall anchor (F), drill a hole at each marked location in the ceiling. Carefully insert wall anchor (F) into each hole in ceiling.
4. Position mounting bracket (A) so the head of ground screw and tabs are facing down towards floor.
5. Carefully pull house wires through hole in center of mounting bracket (A).
6. Align holes in each end of mounting bracket (A) with each ceiling anchor (F). Align holes in center of mounting bracket (A) with each hole in junction box.
7. Thread each ceiling screw (G) into holes in each end of mounting bracket (A) and into ceiling anchors (F). **DO NOT** fully tighten ceiling screws (G) at this time.
8. Thread each junction box screw (B) into holes in center of mounting bracket (A) and into holes in junction box. Tighten junction box screws (B) and ceiling screws (G) to secure mounting bracket (A) to junction box. **CAUTION:** Make sure house wires are pulled completely through hole in mounting bracket. **DO NOT** pinch wires between mounting bracket and ceiling.



9. Strip 3/4" of insulation from ends of fixture wires.
10. Slightly loosen ground screw on mounting bracket (A). Do not completely remove ground screw. Wrap house ground wire (copper) around ground screw, leaving enough ground wire to attach to fixture ground wire. Twist end of fixture ground wire and end of house ground wire (copper) together. Twist wire nut (C) onto ends of wires. Completely tighten wire nut (C). Reference chart below for correct wire connections.

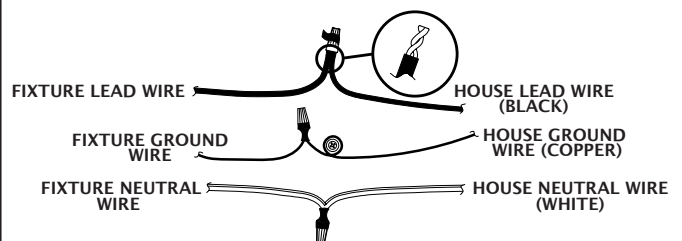
Connect Supply (House) Ground Copper Wire to:
Bare Copper Wire or,
Bare Silver Wire or,
Green Insulated Wire.



11. Twist end of house lead wire (black) and end of fixture lead wire together. Twist wire nut (C) onto ends of wires. Completely tighten wire nut (C). Twist end of house neutral wire (white) and end of fixture neutral wire together. Twist wire nut (C) onto ends of wires. Completely tighten wire nut (C). Reference chart to the right for correct wire connections.
12. Wrap electrical tape (not included) around wire nuts (C) and wires. Ensure wires are securely fastened into wire nuts.
13. Carefully push all wires and wire nuts into junction box.

Connect Black Lead Supply (House) Wire to:	Connect White Neutral Supply (House) Wire to:
Black Wire or,	White Wire or,
*Parallel Cord (Round and Smooth) or,	*Parallel Cord (Square and Ridged) or,
No printed words on wire insulation or,	Printed words on wire insulation or,
Insulated Wire (other than green) with Copper Conductor.	Insulated Wire (other than green) with Silver Conductor.

*When parallel wire (SPT 1 & SPT 2) is used:
The lead wire is round in shape or smooth.
The neutral wire is square in shape or ridged.



14. Carefully raise fixture up to ceiling. Place canopy (D) of fixture over mounting bracket (A). Align holes along canopy (D) with holes in tabs on mounting bracket (A).
15. Screw one fixture mounting screw (E) into holes along canopy (D) and into holes in tabs on mounting bracket (A). Tighten fixture mounting screws (E) to secure fixture to ceiling. DO NOT over tighten.
16. Raise shade (K) up to fixture. Pass hole in top of shade (K) over socket. Align holes along shade (K) with holes in pegs along socket. Thread one threaded stud (L) into each hole along shade (K) and into holes in pegs on socket. Tighten threaded studs (L) to secure shade (K) in place. DO NOT over tighten.
17. Repeat steps 16 for remaining shades (K).
18. Screw recommended bulbs (E26 Edison bulb type, not included) into sockets. Verify correct bulb wattage marked on socket of fixture.
WARNING: DO NOT exceed maximum bulb wattage.

