

**PRODUCT SPECIFICATIONS**

Elkay Allure Single Hole Kitchen Faucet with Lever Handle and Side Spray Satin Stainless Steel. Faucet has a flow rate of 1.5 GPM, and is made of Stainless Steel material, with a Ceramic Disc valve. Faucet requires 2 faucet holes.

<b>Mounting Type:</b>	Deck Mount
<b>Special Features:</b>	Low Flow
<b>Spray Type:</b>	Side
<b>Finish:</b>	Satin Stainless Steel (SSS)
<b>Handle Type:</b>	Lever Handle
<b>Deck Clearance:</b>	7-3/4"
<b>Spout Reach:</b>	8"
<b>Spout Height:</b>	13-3/4"
<b>Hole Drillings:</b>	2
<b>Material:</b>	Stainless Steel
<b>Valve Type:</b>	Ceramic Disc
<b>Valve Connection:</b>	3/8" Female Compression Hose Assembly
<b>Flow Rate:</b>	1.5 GPM
<b>Faucet Hole Size (min):</b>	1-1/2"
<b>Countertop Thickness:</b>	2-1/2"
<b>Spout Swing Rotation:</b>	360°
<b>Spout Type:</b>	Standard Spout



**Included with Product:** Retractable side spray

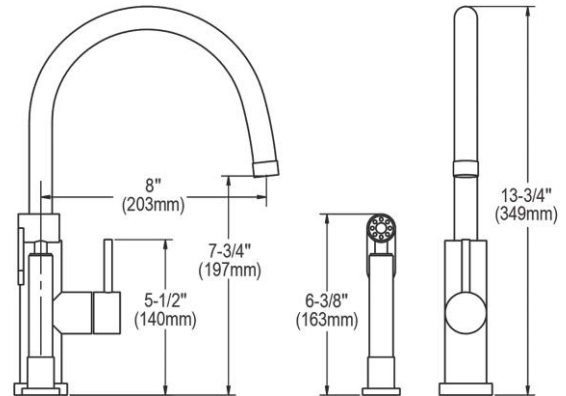
**AMERICAN PRIDE. A LIFETIME TRADITION.**  
Like your family, the Elkay family has values and traditions that endure. For almost a century, Elkay has been a family-owned and operated company, providing thousands of jobs that support our families and communities.

**Product Compliance:** ADA & ICC A117.1  
ASME A112.18.1/CSA B125.1  
NSF 61  
NSF 372 (lead free)



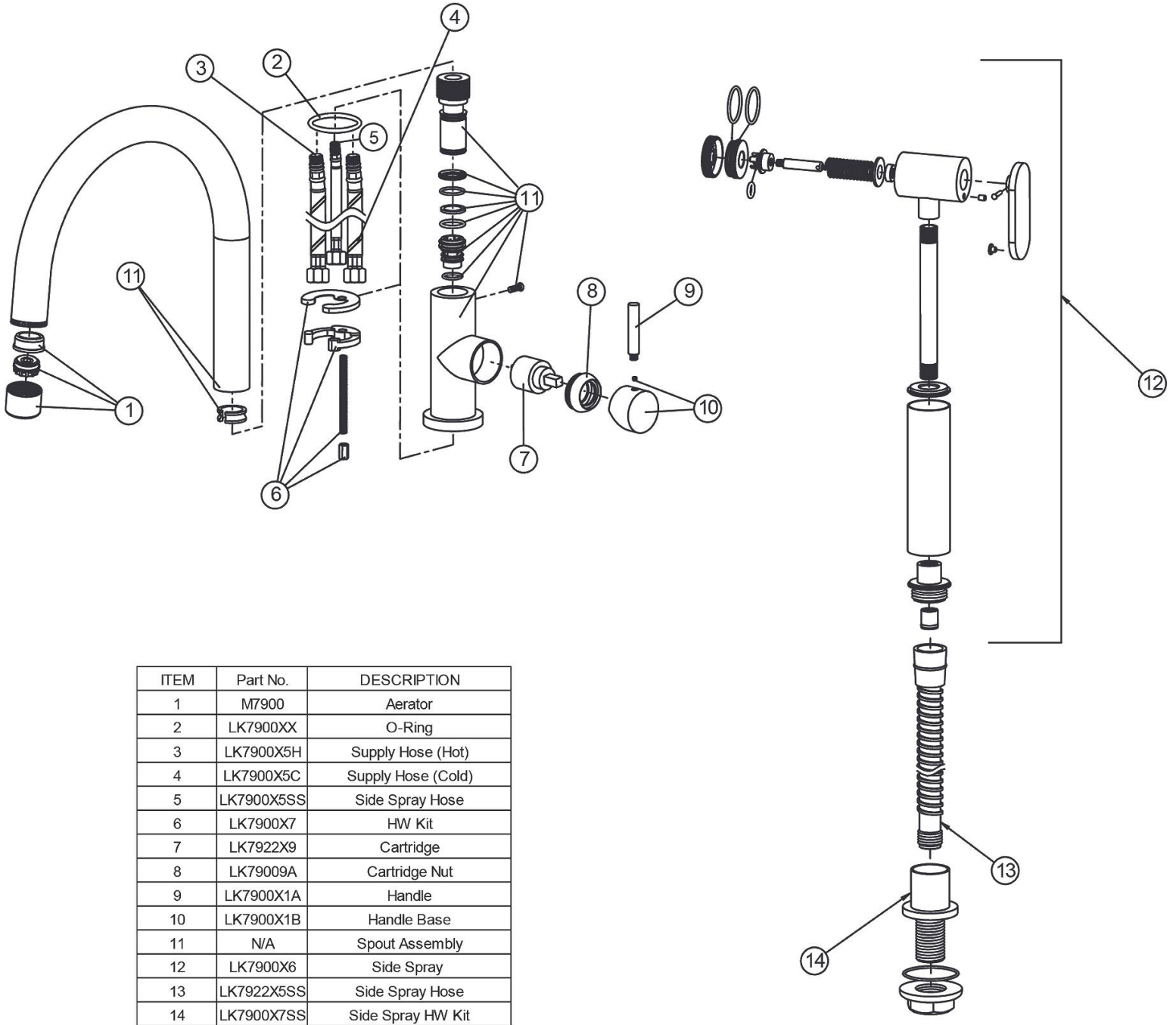
Complies with ADA & ICC A117.1 accessibility requirements when installed according to the requirements outlined in these standards.

[Clean and Care Manual \(PDF\)](#)  
[Installation Instructions \(PDF\)](#)  
[Limited Lifetime Warranty \(PDF\)](#)



PART: \_\_\_\_\_ QTY: \_\_\_\_\_  
PROJECT: \_\_\_\_\_  
CONTACT: \_\_\_\_\_  
DATE: \_\_\_\_\_  
NOTES: \_\_\_\_\_  
APPROVAL: \_\_\_\_\_

*In keeping with our policy of continuing product improvement, Elkay reserves the right to change product specifications without notice. Please visit [elkay.com](http://elkay.com) for the most current version of Elkay product specification sheets. This specification describes an Elkay product with design, quality, and functional benefits to the user. When making a comparison of other producers' offerings, be certain these features are not overlooked.*



ITEM	Part No.	DESCRIPTION
1	M7900	Aerator
2	LK7900XX	O-Ring
3	LK7900X5H	Supply Hose (Hot)
4	LK7900X5C	Supply Hose (Cold)
5	LK7900X5SS	Side Spray Hose
6	LK7900X7	HW Kit
7	LK7922X9	Cartridge
8	LK79009A	Cartridge Nut
9	LK7900X1A	Handle
10	LK7900X1B	Handle Base
11	N/A	Spout Assembly
12	LK7900X6	Side Spray
13	LK7922X5SS	Side Spray Hose
14	LK7900X7SS	Side Spray HW Kit

In keeping with our policy of continuing product improvement, Elkay reserves the right to change product specifications without notice. Please visit [elkay.com](http://elkay.com) for the most current version of Elkay product specification sheets. This specification describes an Elkay product with design, quality, and functional benefits to the user. When making a comparison of other producers' offerings, be certain these features are not overlooked.