

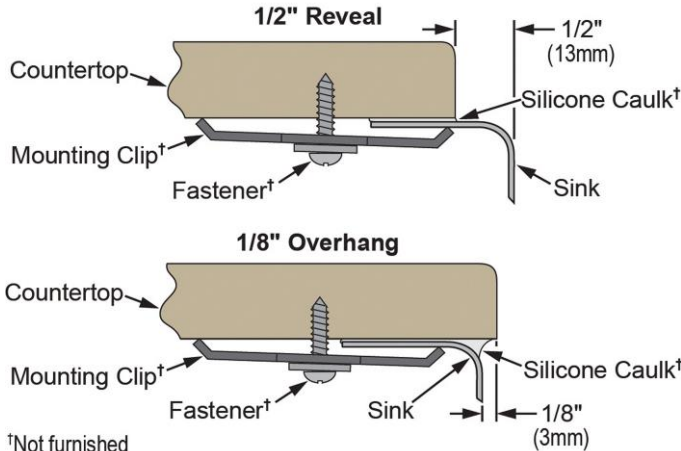
PRODUCT SPECIFICATIONS

Dayton Stainless Steel 31-3/4" x 18-1/4" x 8", Equal Double Bowl Undermount Sink and Faucet Kit. Sink is manufactured from 18 gauge 300 series Stainless Steel with a Radiant Satin finish, Center drain placement, and Bottom only pads.

Installation Type:	Undermount
Material:	300 series Stainless Steel
Finish:	Radiant Satin
Gauge:	18
Sound Deadening:	Bottom only pads
Number of Bowls:	2
Sink Dimensions:	31-3/4" x 18-1/4" x 8"
Bowl 1 Dimensions:	14" x 15-3/4" x 8"
Bowl 2 Dimensions:	14" x 15-3/4" x 8"
Drain Size:	3-1/2" (89mm)
Drain Location:	Center
Minimum Cabinet Size:	36"
Mounting Hardware:	Undermount brackets sold separately
Cutout Template #:	1000001471

Template is available for download at [elkay.com](#)

Installation Profile:



†Not furnished
Designed to affix to the underside of any solid surface countertop.

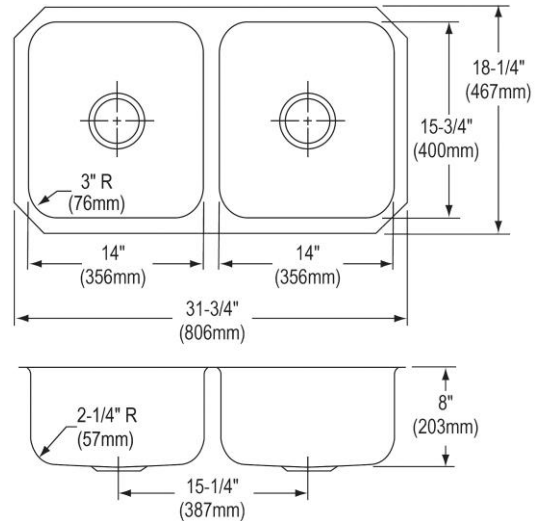


Included with Product: DXUH3118 sink, LK5000CR faucet, one GBG1415SS bottom grid, two drains

AMERICAN PRIDE. A LIFETIME TRADITION. Like your family, the Elkay family has values and traditions that endure. For almost a century, Elkay has been a family-owned and operated company, providing thousands of jobs that support our families and communities.

Product Compliance: ASME A112.19.3/CSA B45.4
BUY AMERICAN ACT
Faucet: ASME A112.18.1/CSA B125.1
NSF 61
NSF 372 (lead free)
Accessory: ASME A112.18.2/CSA B125.2

[Clean and Care Manual \(PDF\)](#)
[Installation Instructions \(PDF\)](#)
[Limited Lifetime Warranty \(PDF\)](#)



PART: _____ QTY: _____
PROJECT: _____
CONTACT: _____
DATE: _____
NOTES: _____
APPROVAL: _____

In keeping with our policy of continuing product improvement, Elkay reserves the right to change product specifications without notice. Please visit [elkay.com](#) for the most current version of Elkay product specification sheets. This specification describes an Elkay product with design, quality, and functional benefits to the user. When making a comparison of other producers' offerings, be certain these features are not overlooked.

OPTIONAL ACCESSORIES

Cutting Board:	CB1516*
Hardware:	LKUCLIP8 (2 Required)
Rinsing Basket:	LKWRB1316SS
Sinkmate:	LKSMHSL
* 1/2" sink reveal required for proper fit.	

In keeping with our policy of continuing product improvement, Elkay reserves the right to change product specifications without notice. Please visit elkay.com for the most current version of Elkay product specification sheets. This specification describes an Elkay product with design, quality, and functional benefits to the user. When making a comparison of other producers' offerings, be certain these features are not overlooked.