



## Bathtub - Deque

Cascade tub spout without diverter for deck-mounted installation - polished chrome

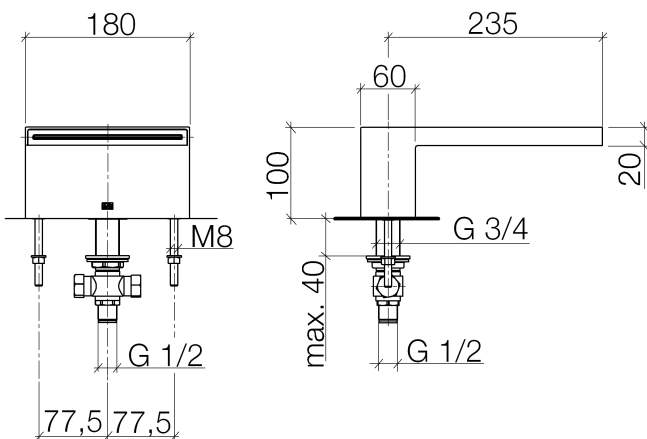
Article number: 13 630 740-00

- 9-1/4" Projection
- Cascade
- Total height 3-7/8"
- Height to aerator/spout outlet 3-1/8"
- 1-1/4" hole diameter
- 1/2" connection
- Water flow rate limited to max. 7 gpm



polished chrome

## Dimensional drawing



All dimensions in mm / inch = mm x 0,0394

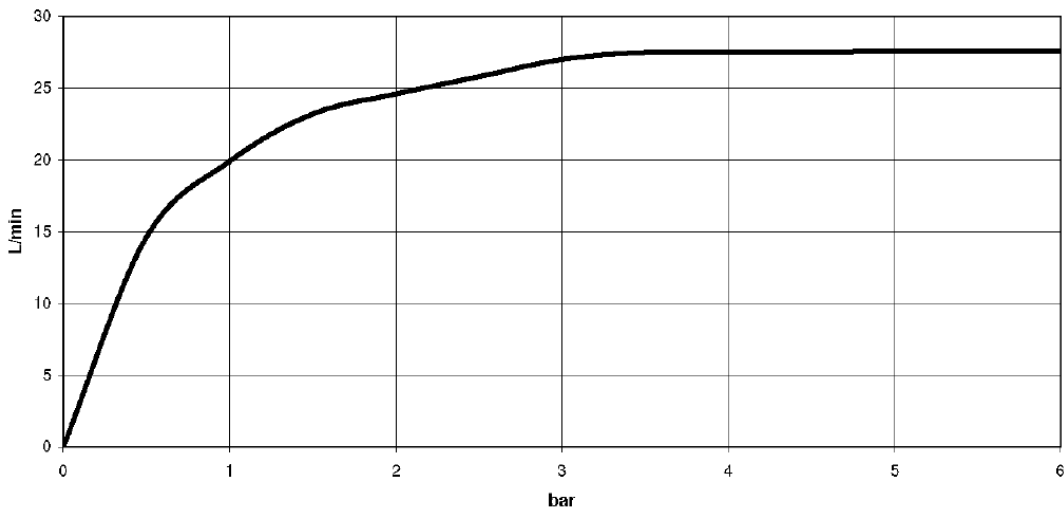


## Bathtub - Deque

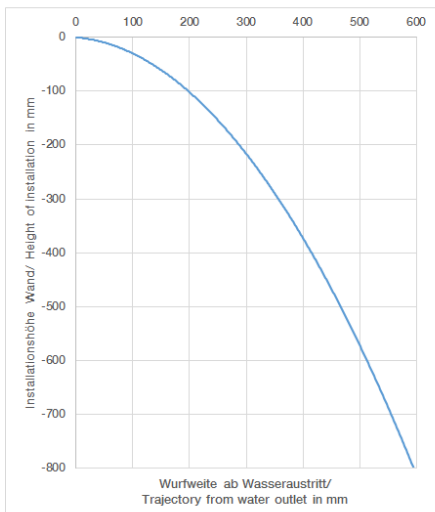
Cascade tub spout without diverter for deck-mounted installation - polished chrome

Article number: 13 630 740-00

### Flow rate chart



### Trajectory length diagram





## Bathtub - Deque

Cascade tub spout without diverter for deck-mounted installation - polished chrome

Article number: 13 630 740-00

### Other surface finishes



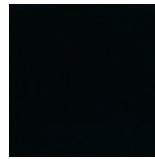
platinum matte  
13 630 740-06



platinum  
13 630 740-08



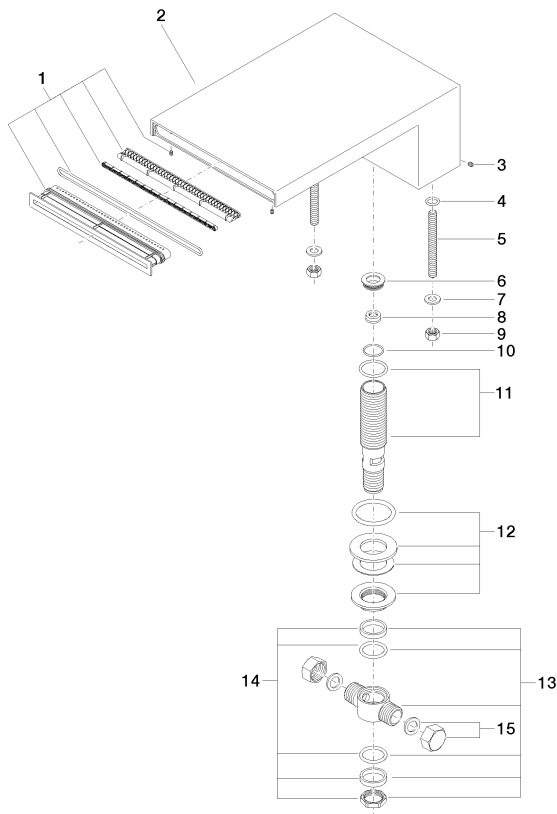
Brushed Durabrass  
13 630 740-28



black matte  
13 630 740-33

More custom finish options are available via special production (xTra Service). Please see our finish matrix for availability and pricing or contact a Dornbracht representative.

### Spare parts list



Number	Item Number	Designation	Number of units
1	90 29 03 059 00 90	insert	1
2	09 11 74 040-00	spout	1
3	09 31 11 044 90	pin	1
4	09 14 10 008 90	seal	2
5	09 31 11 011 90	pin	2
6	09 24 04 246 20 90	nipple	1
7	09 30 11 045 90	disc	2
8	09 23 01 057 90	flow reducer	1
9	09 23 10 023 90	nut	2
10	09 14 10 140 90	seal	1
11	90 30 01 033 00 90	base	1
12	04 23 10 004 04 90	fixing set	1
13	04 17 11 020 10 90	distributor	1
14	90 23 10 012 00 90	gasket kit	1
15	04 21 02 006 00 92	cap	2