



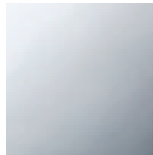
Sink - CYO

Three-hole lavatory mixer with drain - Chrome

Article number: 20 713 821-00 0010



- 6-5/8" Projection
- US drain with overflow
- Rigid spout
- Rectangular aerated stream
- Total height 7-3/4"
- Height to aerator/spout outlet 5-1/4"
- Spout hole diameter 1-3/8"
- Valve hole diameter 1-1/4"
- Valve with flange 2-3/8" x 2-3/8"
- Water flow rate limited to max. 1.2 gpm
- lead-free
- with marking for hot and cold
- Suitable only for basins with overflow.
- (ADA)



Chrome



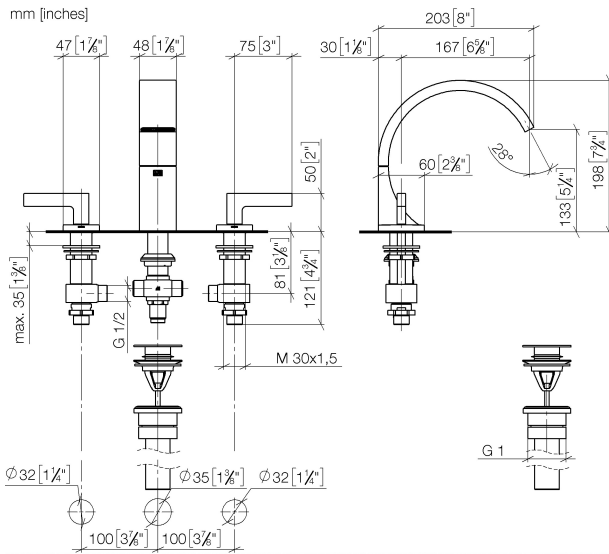


Sink - CYO

Three-hole lavatory mixer with drain - Chrome

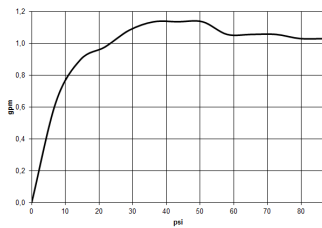
Article number: 20 713 821-00 0010

Dimensional drawing



All dimensions in mm / inch = mm x 0,0394

Flow rate chart





Sink - CYO

Three-hole lavatory mixer with drain - Chrome

Article number: 20 713 821-00 0010

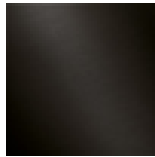
Other surface finishes



Brushed Platinum
20 713 821-06 0010



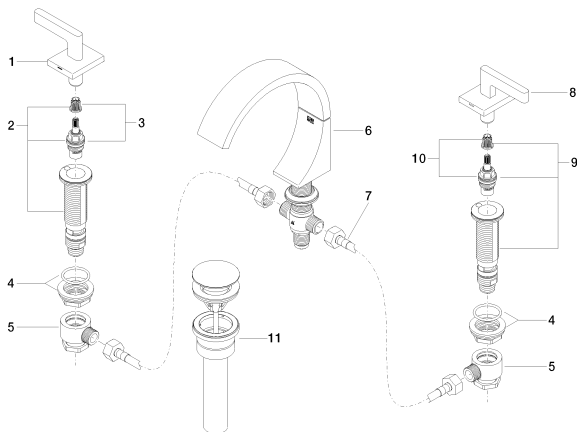
Brushed brass (23kt gold)
20 713 821-28 0010



Brushed Dark Platinum
20 713 821-99 0010

More custom finish options are available via special production (xTra Service). See our finish matrix for availability and pricing or contact a Dornbracht representative. Some series may be excluded and some finishes may not be available in all series.

Spare parts list



Number	Item Number	Designation	Number of units
1	90 20 70 057 02-00	handle (hot)	1
2	04 17 11 058 53 90	side panel	1
3	90 90 03 153 00 90	top	1
4	04 23 10 032 78 90	fixing set	2
5	04 17 11 023 10 90	distributor	2
6	13 717 811-00	Lavatory spout, deck-mounted without drain - Chrome	1
7	04 30 04 096 00 90	hose	2
8	90 20 70 057 03-00	handle (cold)	1
9	04 17 11 058 52 90	side panel	1
10	90 90 03 152 00 90	top	1
11	10 125 970-00 0010	Umbrella drain 1 1/4" - Chrome	1