

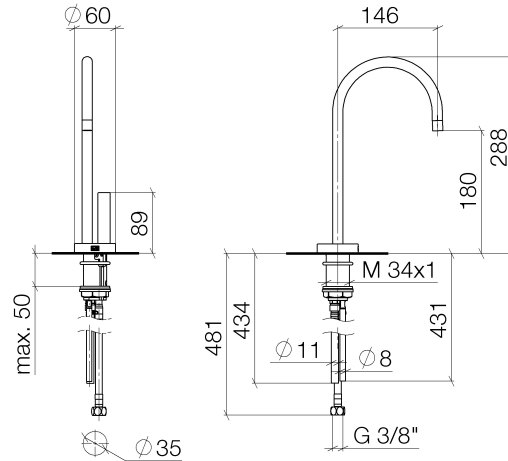


Product specifications

• **5-3/4" Projection**

- rigid, thermally insulated outlet
- Laminar stream
- Total height 11-3/8"
- 7-1/8" height to aerator/spout outlet
- 1-3/8" hole diameter
- Provides filtered, hot water, 199°F max. temperature
- Provides filtered, cold water (not chilled)
- Water flow rate limited to max. 0.5 gpm
- control unit for wall assembly (5-3/8" x 6-1/4" x 2-3/8")
- electronic valve
- plug-in power supply, 100-230 V, 50-60 Hz, 18 W, incl. country-specific adaptor set
- low lead compliant
- One lever for hot and cold water

(ADA)





Compatible with Insinkerator® hot water tank HWT-F1000S. Tank and filter not supplied from Dornbracht. More information on tank and filter at www.insinkerator.com.

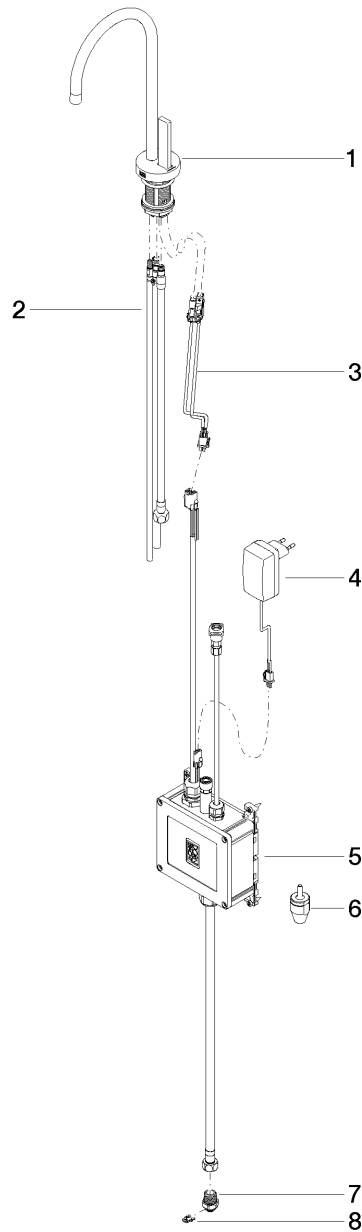
We recommend replacing the filter cartridge every six months. Please see the installation manual for more information.

All Professional information and detailed notes regarding planning can be found at www.dornbracht.com

Surfaces

- chrome 17861875-00
- matt platinum 17861875-06
- platinum 17861875-08

Exploded assembly drawing



Kitchen

Water Dispenser HOT & COLD WATER DISPENSER

Article number: 17861875



Order quantity

No.	Article number	Name	Installation quantity
1	90178510005ff	fitting	1
2	9030040670090	hose	1
3	9010010480090	electronic accessories	1
4	0410010500090	electronic accessories	1
5	0411110640090	electronic accessories	1
6	9024042910090	insert	1
7	09240429390	nipple	1
8	09160104590	ring	1

