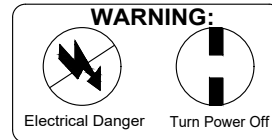
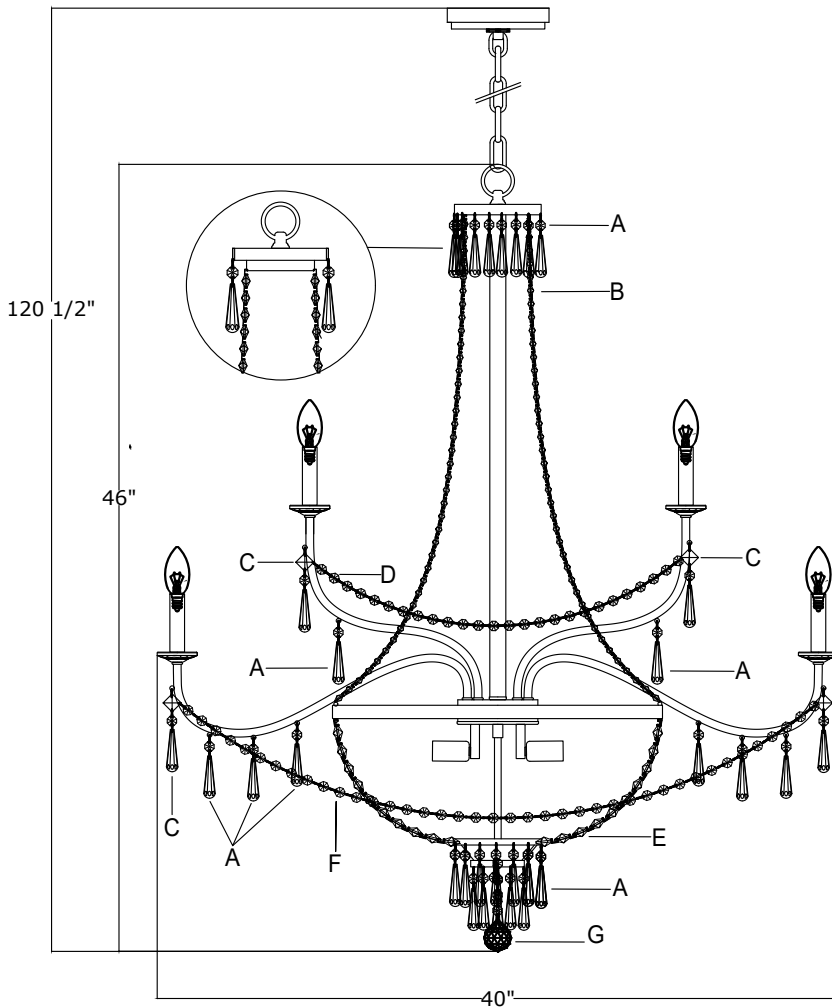


# CRYSTORAMA

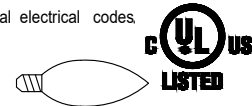
LIGHTING THE WAY FOR SIXTY YEARS



## ASSEMBLY INSTRUCTION MODEL # HWD-7722-AG



All electrical components must be installed by a licensed electrician in accordance with the National Electric Code and the appropriate local electrical codes.



You will need 22- Candelabra Base Bulb  
25 Watts recommended 40 Watts Max.  
USE LED BULBS FOR EXTENDED USE  
The fixture is Damp rated

### HOW TO INSTALL:

Place the fixture parts on a soft cloth-covered platform before installation of fixture.

1. Attach the mounting bar onto the outlet box.
2. Decide the desired hanging height and adjust the chain to the correct length.
3. Screw the stem into the coupling on top of the fixture body kit and then place the center tubing, check ring, top ring, and metal spacer, in that order, over it. Secure them with the fixture loop.
4. Screw the bottom stem into the coupling on the bottom of the fixture body kit. Place the metal spacer and bottom ring over it and secure with the finial.
5. Slide the bobecche and candle sleeve over the socket.
6. Raise the fixture up and do the wire connection. Place the canopy over the mounting bar and secure with the collar ring.
7. Dress the crystal as illustrated.

### Crystal Sets

- A. 88 Sets. (1)14mm + (1)63mm crystal
- B. 24 Sets. (39)14mm crystal
- C. 18 Sets. (1)Square + (1)14mm + (1)63mm crystal
- D. 6 Sets. (15)14mm crystal
- E. 40 Sets. (1)32mm + (2)30mm + (1)28mm + (1)24mm + (1)20mm + (1)18mm + (1)16mm + (2)14mm + (1)12mm
- F. 12 Sets. (14)14mm crystal
- G. 1 Sets. (4)14mm + (1)40mm ball

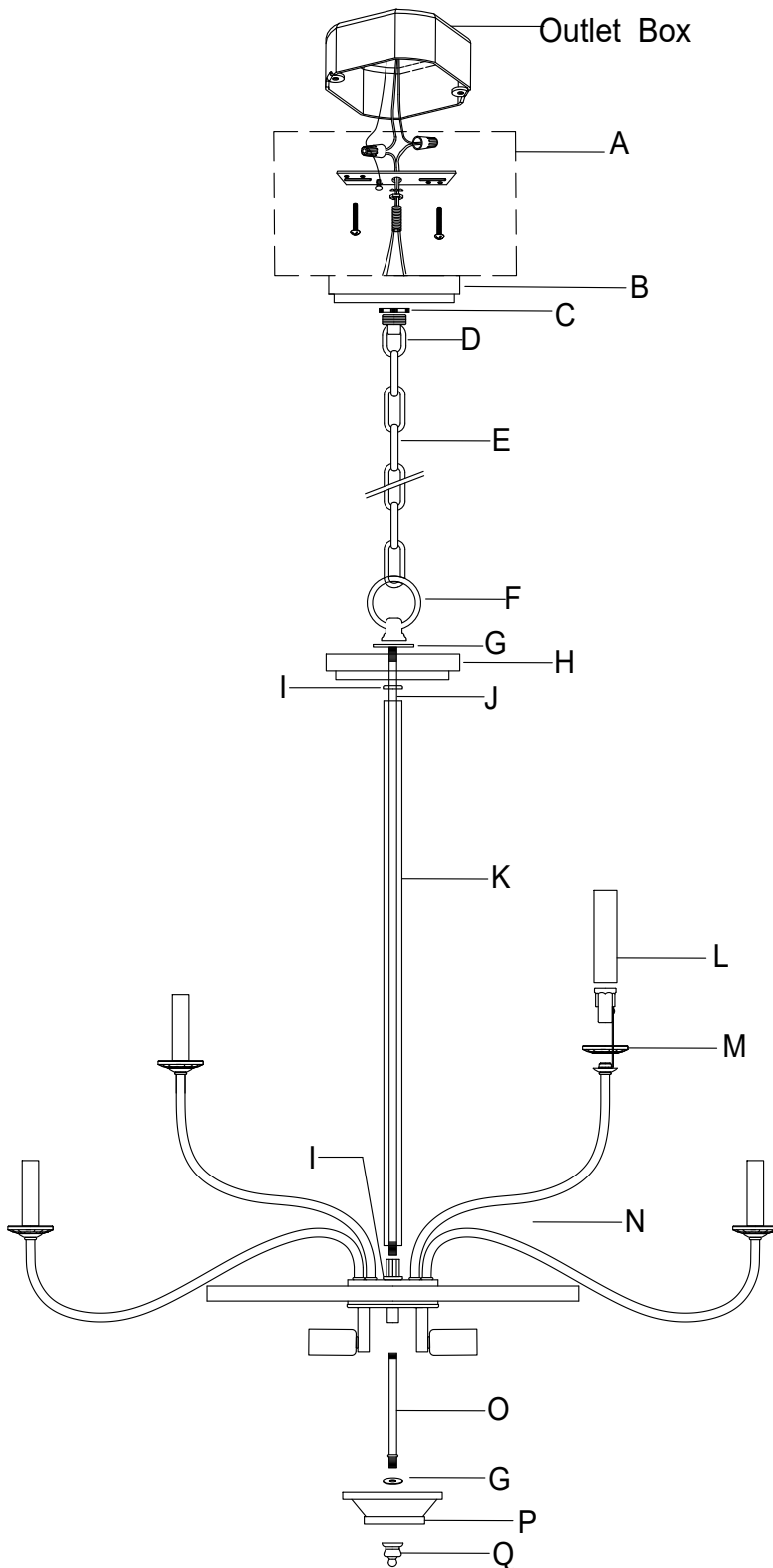
**WARNING:** This product can expose you to Lead, which is known to the State of California to cause cancer and/or birth defects or reproductive harm. For more information go to [www.p65warnings.ca.gov](http://www.p65warnings.ca.gov)

# CRYSTORAMA

LIGHTING THE WAY FOR SIXTY YEARS



PART NUMBER MODEL# HWD-7722-AG



## Part Number

### Part Numbers

- A. (1)-Mounting hardware  
Wire Connector × 2.  
Mounting Bar × 1.  
Mounting Screw × 2.  
Washer × 1.  
Nut × 1.  
Threaded Nipple × 1.
- B. (1)-Canopy (W5"xH1")-XSN7709AGCAN5IN
- C. (1)-Collar Ring
- D. (1)-Collar Loop
- E. (1)-Chain (4mmx72")-XSN7709AGCHA4MM
- F. (1)-Fixture Loop
- G.(2)-Metal Spacer
- H. (1)-Top Ring ; Ø5 5/8 " , H1" ,  
18 holes on upper layer,  
24 holes on bottom layer.  
-XSN7722AGTOPRING
- I. (2)-Check Ring
- J. (1)-Stem ; H29 1/8"-XSN7722AGSTEM29.125IN
- K. (1)-Center Tubing ; H29"
- L. (18)-Metal Candle Sleeve; Ø7/8" , H4 1/8"  
-XSN7709AGCDL4.125IN
- M.(18)-Crystal Bobeche ; Ø2 3/8" , H3/8" ;  
23mm center hole.  
-XSN7709BOB2.375IN
- N. (1)-Fixture Body Kit  
Coupling x2.  
Distributor Box ; Ø4 3/4" x1.  
10" Arms x6.  
17 1/2" Arms x12.  
Center Ring ; Ø20 1/2" x1.  
24 holes on upper edge,  
40 holes on bottom edge.  
Inner Socket x4.
- O. (1)-Bottom Stem ; H6 1/2"  
-XSN7722AGSTEM6.5IN
- P. (1)-Bottom Ring ; Ø5 1/4 " , H1 1/2 "   
40 holes on the upper edge of the upper layer.  
18 holes on the bottom edge of the upper layer.  
10 holes on the bottom layer.  
-XSN7722AGBOTRING
- Q. (1)-Finial-XSN7709AGFIN