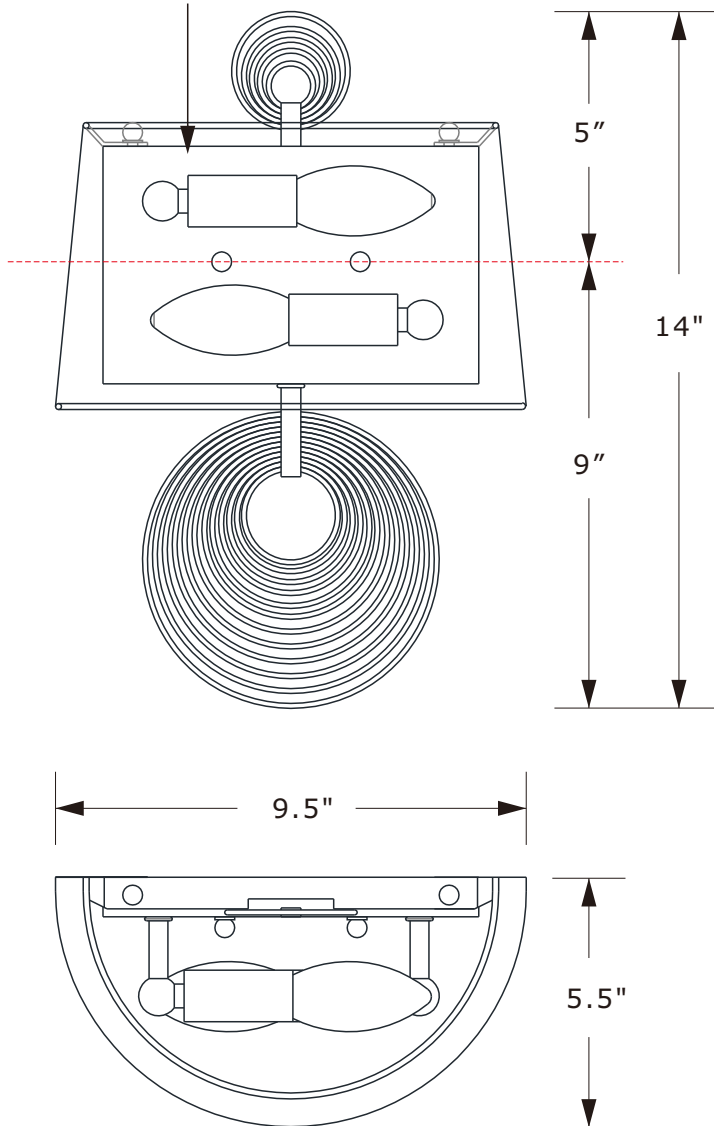


# CRYSTORAMA

LIGHTING THE WAY FOR SIXTY YEARS

## ASSEMBLY INSTRUCTION MODEL #DOR-B7702-FB

Backplate(W7.56",H4.72",E0.79")



All electrical components must be installed by a licensed electrician in accordance with the National Electric Code and the appropriate local electrical codes.



You will need 2-Candelabra Base Bulb  
40 Watts Recommended 60 Watts Max.  
USE LED BULBS FOR EXTENDED USE  
This fixture is DRY rated

### How to Install

1. Attach the bottom rings onto the bottom of the backplate.
2. Insert recommended bulb (not included).
3. Install the backplate onto the outlet box, by securing it with the ball nuts.
4. Place the white cloth shade onto the top of backplate and secure it with ball nuts.

**WARNING:** This product can expose you to Lead, which is known to the State of California to cause cancer and/or birth defects or reproductive harm. For more information go to [www.P65Warnings.ca.gov](http://www.P65Warnings.ca.gov).

# CRYSTORAMA

LIGHTING THE WAY FOR SIXTY YEARS

PART NUMBER MODEL #DOR-B7702-FB

## Part Number

- A. (1) - Mounting Hardware
- B. (1) - White Cloth Shade(TOP L8.27",BOTTOM L9.53",W5.5",H5.71") #XRE7702SHA9.5IN
- C. (1) - Backplate(W7.56",H4.72",E0.79") #XRE7702FBBKP7.5IN
- D. (4) - Ball Nut #XRE7700FBBANUT
- E. (1) - Bottom Rings(2.5mm)

