

CRYSTORAMA

LIGHTING THE WAY FOR SIXTY YEARS

ASSEMBLY INSTRUCTION MODEL #CLO-8890-BN

WARNING:

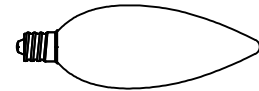


Electrical Danger

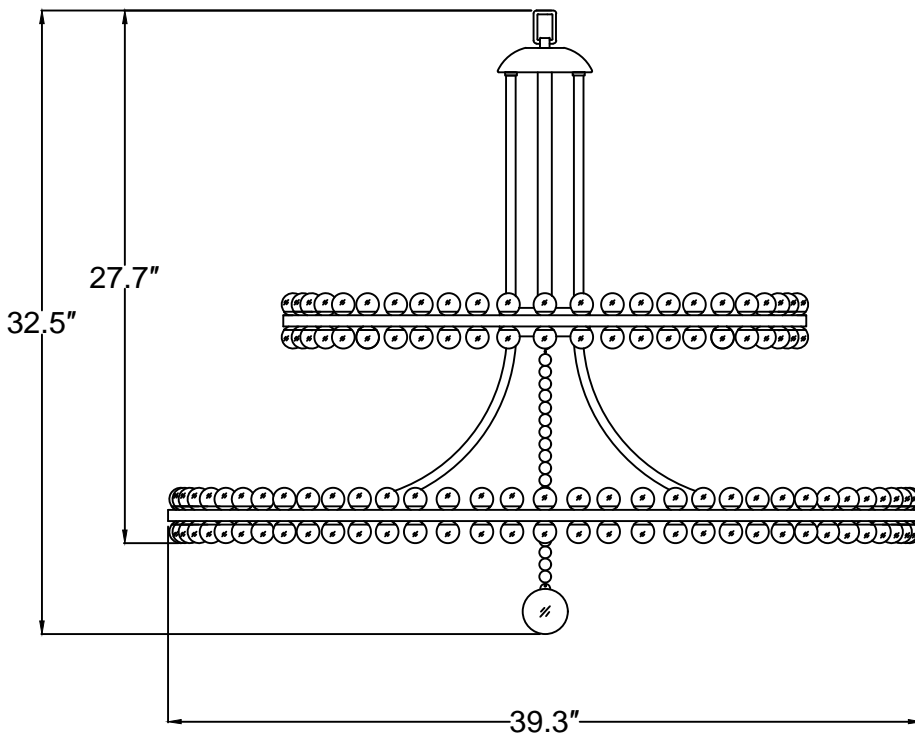


Turn Power Off

All electrical components must be installed by a licensed electrician in accordance with the National Electric Code and the appropriate local electrical codes.



You will need 24-Cand.BULB
60 watts Max Bulb not included
USE LED BULBS FOR EXTENDED USE



How to Install

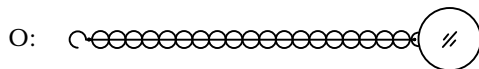
- 1.put the check ring over the hex nut on top of wiring box
- 2.Thread Rod onto the nipple
- 3.Place the top metal plate over the Rods and secure it with hex nuts
- 4.Pull the wire from center stem through the hickey until taut and put the top cap over it and secure with fixture loop
- 5.Insert each long threaded crystal ball through the bottom of the ring,then secure it from the top with the crystal ball (without nipple).

Installation of safety cable

- 1.Pass the long threaded pipe on the hickey through the center of outlet box.Attach it to the ceiling joist and secure it with nuts.
- 2.Feed wires and safety cable up through chain and the hole of screw collar loop.Have the wires and safety cable exit through the side of hickey
- 3.Feed safety cable through the cable lock and coil it around the hickey twice.Then feed the cable through the lock again and tighten it with lock screw.
- 4.Continue to run safety cable through the top of outlet box and secure it to the ceiling joist.

CRYSTAL SETS:

- O:Ø16mmx19,Ø60mmx1
- L:Ø30mmx120,Crystal ball with long thread
- Ø30mmx120,Crystal ball



WARNING: This product can expose you to Lead, which is known to the State of California to cause cancer and/or birth defects or reproductive harm. For more information go to www.P65Warnings.ca.gov

CRYSTORAMA

LIGHTING THE WAY FOR SIXTY YEARS

PART NUMBER MODEL #CLO-8890-BN

Part Number

Part Numbers

A. Mounting Hardware

(3) Wire Nut

(1) Hickey

(2) 1/4" IP NIPPLE

(4) Nut

(4) Flat Washer

(4) Spring Washer

B. (1) Canopy; $\varnothing 5.5" \times 0.98" \text{h}$; XMO8890BNCAN5.5IN

C. (2) Quick Link

D. (1) Chain; $72" \text{L} \times \varnothing 5.0 \text{mmT}$; XMO8890BNCHA5.0MM

E. (1) Top Loop

F. Assembly Hardware

(1) Top Cap

(1) Top Metal Plate

(4) Hex Nut

G. (4) Rod; $\varnothing 0.5" \times 12" \text{h}$; XMO8890BNROD12IN

H. (1) Center Stem; $\varnothing 0.75" \times 12.3" \text{h}$; XMO8890BNROD12.3IN

I. Assembly Hardware

(1) Wiring Box

(4) Check Ring

(4) Hex Nut

J. (1) Top Ring

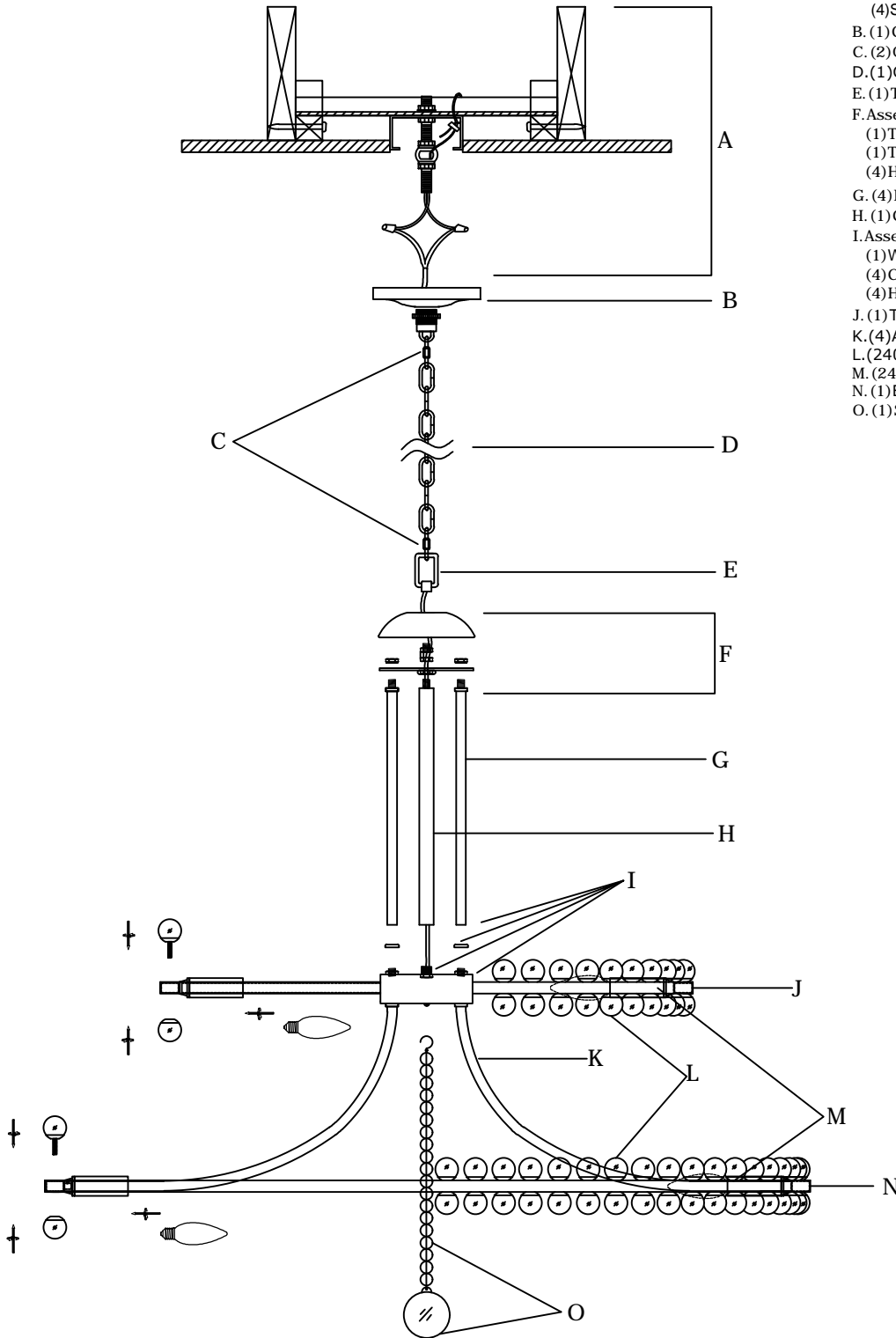
K. (4) Arm; $\varnothing 0.5"$

L. (240) Crystal Ball; $\varnothing 1.18"$

M. (24) Candle Sleeve; $\varnothing 1" \times 2.8" \text{h}$; XMO8890BNCDL2.8IN

N. (1) Bottom Ring

O. (1) Strand Crystal



x3

Wire Nut