

CRYSTORAMA

LIGHTING THE WAY FOR SIXTY YEARS

ASSEMBLY INSTRUCTION MODEL #CLO-8000-AG

WARNING

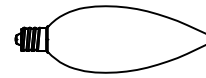


Electrical Danger



Turn Power Off

All electrical components must be installed by a licensed electrician in accordance with the National Electric Code and the appropriate local electrical codes.



You will need 24-Candelabra Bulb
40 watts Max Bulb not included
USE LED BULBS FOR EXTENDED USE
This fixture is DRY rated

How to Install

Do not remove Flat Tube (X) and Rod (Y) until instructed to do so.

1. Put the check ring over the hex nut on top of wiring box.
2. Screw the lower rod and center stem onto the top of wiring box.
3. Slide the center ring over the lower rods and center stem and secure the center ring with hex nut and check ring.
4. Screw the upper rods onto the center.
5. Place the top metal plate over the upper rods and secure it with hex nuts.
6. Pull the wire from center stem through the hickey until taut and put the top cap over it and secure with fixture loop.
7. Insert each long threaded crystal ball through the bottom of the ring, then secure it from the top with the crystal ball (without nipple).
8. Remove Flat Tube (X) and Rod (Y) by twisting the screws with a screwdriver then install the final crystal balls to fill the hole in the ring.

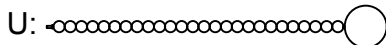
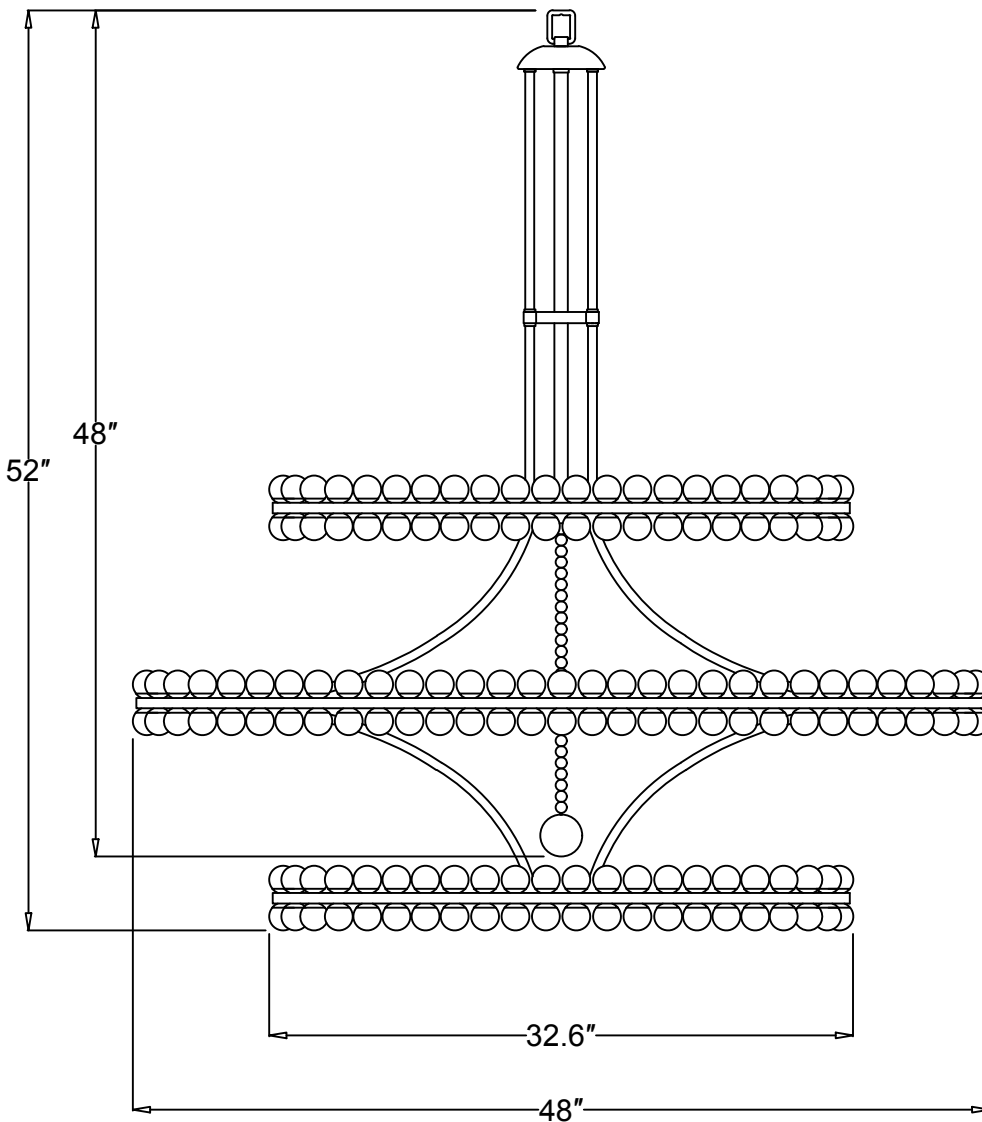
Installation of safety cable

1. Pass the long threaded pipe on the hickey through the center of outlet box. Attach it to the ceiling joist and secure it with nuts.
2. Feed wires and safety cable up through chain and the hole of screw collar loop. Have the wires and safety cable exit through the side of hickey.
3. Feed safety cable through the cable lock and coil it around the hickey twice. Then feed the cable through the lock again and tighten it with lock screw.
4. Continue to run safety cable through the top of outlet box and secure it to the ceiling joist.

CRYSTAL SETS:

U. $\varnothing 16\text{mm} \times 26, \varnothing 60\text{mm} \times 1$

W. $\varnothing 40\text{mm} \times 188, \text{Crystal ball with long thread}$
 $\varnothing 40\text{mm} \times 188, \text{Crystal ball}$



WARNING: This product can expose you to Lead, which is known to the State of California to cause cancer and/or birth defects or reproductive harm. For more information go to www.P65Warnings.ca.gov

CRYSTORAMA

LIGHTING THE WAY FOR SIXTY YEARS

PART NUMBER MODEL #CLO-8000-AG

Part Number

Part Numbers

A. Mounting Hardware

- (3) Wire Nut
- (1) Hickey
- (2) 1/4" IP NIPPLE
- (4) Nut
- (4) Flat Washer
- (4) Spring Washer

B. (1) Canopy; Ø5.5"x0.98"h; XMO8890AGCAN5.5IN

C. (2) Quick Link

D. (1) Chain; 72"Lx Ø6.0mmT; XMO8000AGCHA6.0MM

E. (1) Top Loop

F. (1) Top Cap

G. (4) Hex Nut

H. (4) Washer

I. (1) Top Metal Plate

J. (4) Upper rod; Ø0.5"x13.4"h; XMO8000AGRODU13.4IN

K. (1) Center Stem; Ø0.75"x23.8"h; XMO8000AGSTEM23.8IN

L. (4) Check Ring

M. (4) Hex Nut

N. (1) Center Ring

O. (4) Lower rod; Ø0.5"x9.5"h; XMO8000AGRODL9.5IN

P. (4) Check Ring

Q. (4) Hex Nut

R. (8) Arm; Ø9/16"

S. (1) Metal ring

T. (2) Bottom ring

U. (1) Strand Crystal

V. (24) Candle Sleeve; Ø1"x2.8"h; XMO8890AGCDL2.8IN

W. (376) Crystal Ball; Ø1.57"

X. (4) Flat tube

Y. (4) Rod; Ø0.5"x21.5"h

