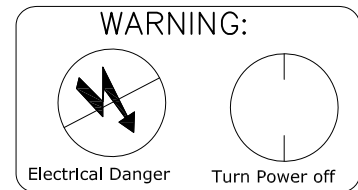
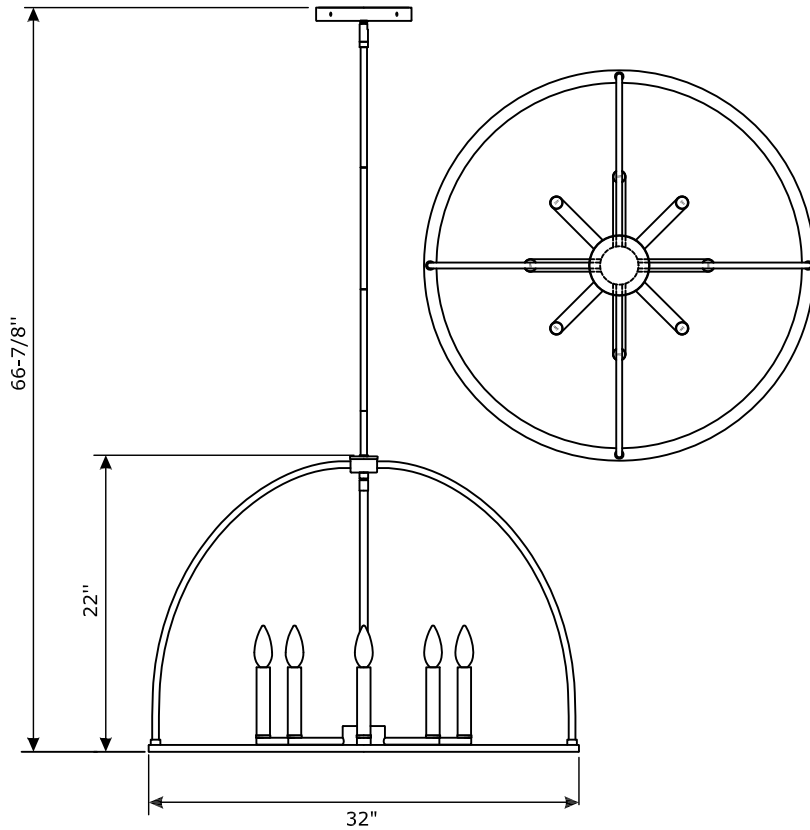


# CRYSTORAMA

LIGHTING THE WAY FOR SIXTY YEARS

ASSEMBLY INSTRUCTION MODEL #ABB-3008-BK

Drawing (1)



All electrical components must be installed by a licensed electrician in accordance with the National Electric Code and the appropriate local electrical codes.



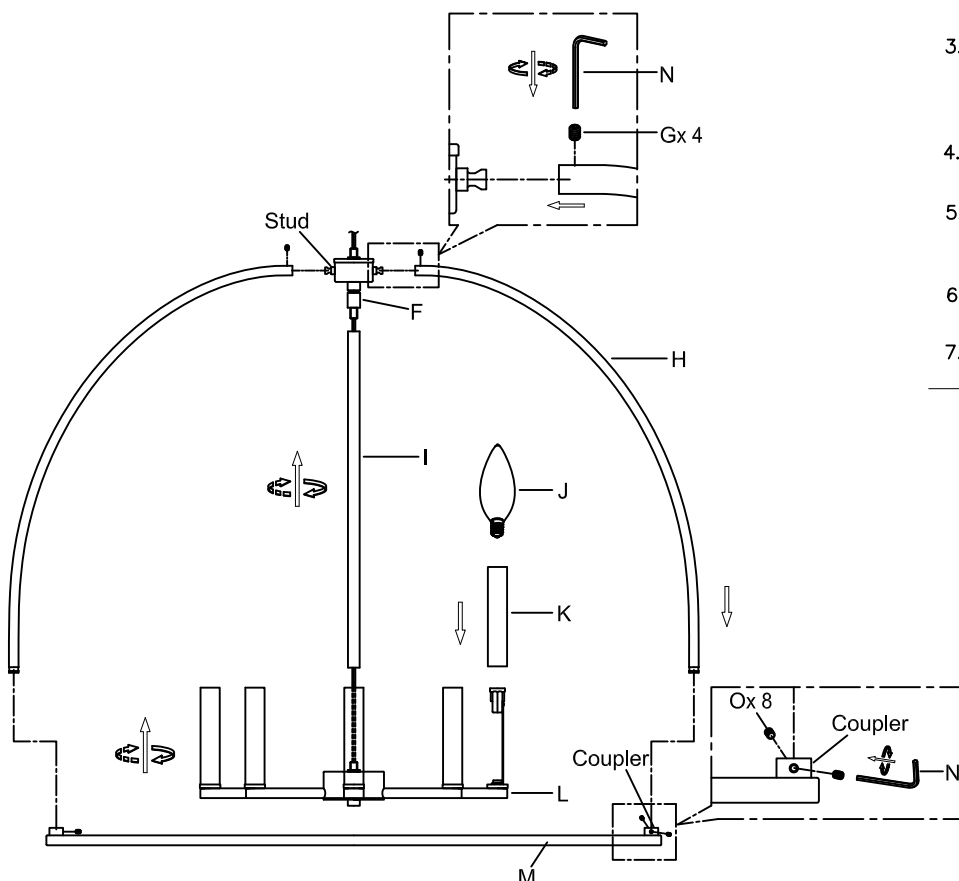
You will need 8-Candelabra  
40 Watts Recommended 60 Watts Max.  
USE LED BULBS FOR EXTENDED USE

THIS FIXTURE IS DRY RATED

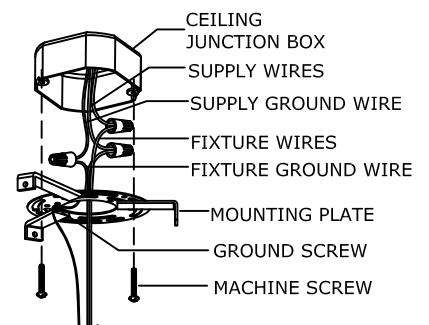
## How to install for hanging:

Please place the fixture frame on a soft cloth covered table before the installation.

1. Screw one end of the Center stem (I) onto the Distributor box (F), then screw the Light Cluster (L) onto the other end of Center stem (I).
2. Insert one end of the Rod (H) onto the stud on the Distributor box (F) then secure them together with the Screws (G) using the Wrench (N) supplied. Repeat for all Rod (H).
3. Insert the other end of Rod (H) into the coupler on the Bottom Frame (M) then secure them together with the Screws (O) using the Wrench (N) supplied. Repeat for all Rod (H).
4. Determine the desired hanging height and choose the correct length of Rod (D and E).
5. Feed the fixture wires through the rods and canopy. Afterwards, connect the rods together then screw the canopy onto the top of the upper-most rod.
6. The canopy of the fixture can now be mounted to the ceiling by following **Drawing 2**.
7. Place the Candle Sleeve (K) over the Socket, then Install the Bulb to the Socket.



Drawing (2)

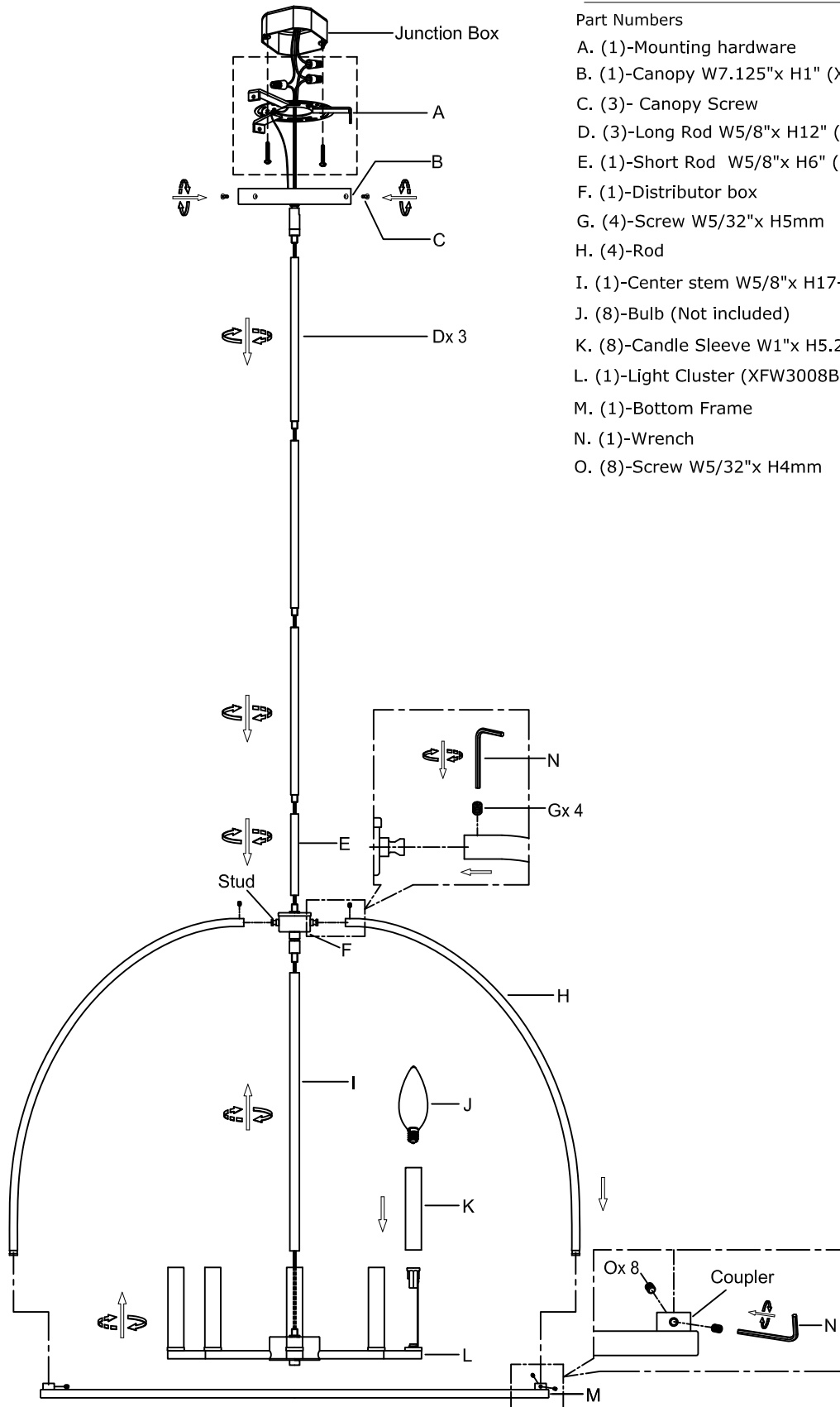


**WARNING:** This product can expose you to Lead which is known to the state of California to cause cancer and/or birth defects or reproductive harm. For more information go to [www.P65Warnings.ca.gov](http://www.P65Warnings.ca.gov)

# CRYSTORAMA

LIGHTING THE WAY FOR SIXTY YEARS

ASSEMBLY INSTRUCTION MODEL #ABB-3008-BK



## Part Number

### Part Numbers

- A. (1)-Mounting hardware
- B. (1)-Canopy W7.125"x H1" (XFW3008BKCAN7.125IN)
- C. (3)- Canopy Screw
- D. (3)-Long Rod W5/8"x H12" (XFW3007BKROD12IN)
- E. (1)-Short Rod W5/8"x H6" (XFW3007BKROD6IN)
- F. (1)-Distributor box
- G. (4)-Screw W5/32"x H5mm
- H. (4)-Rod
- I. (1)-Center stem W5/8"x H17-1/2" (XFW3008BKCSTEM17.5IN)
- J. (8)-Bulb (Not included)
- K. (8)-Candle Sleeve W1"x H5.25" (XFW3008BKCDL5.25IN)
- L. (1)-Light Cluster (XFW3008BKCLU)
- M. (1)-Bottom Frame
- N. (1)-Wrench
- O. (8)-Screw W5/32"x H4mm