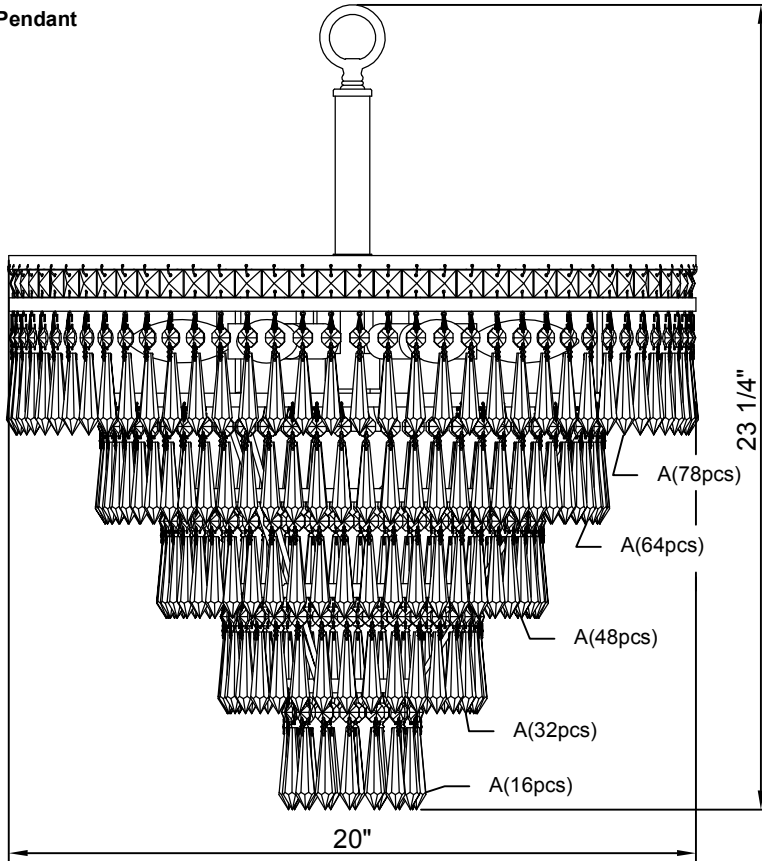


CRYSTORAMA

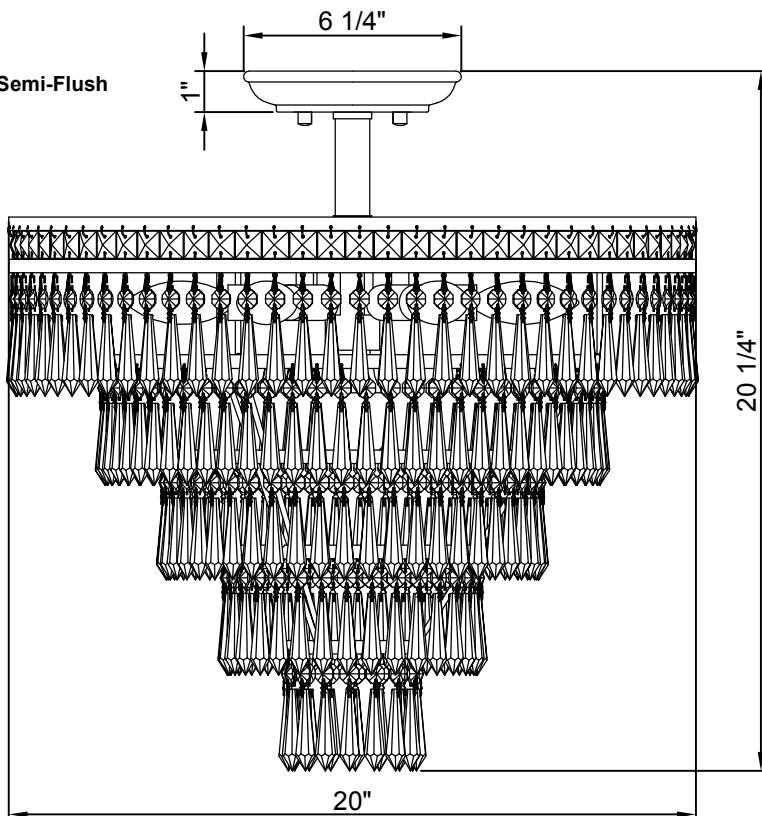
LIGHTING THE WAY FOR SIXTY YEARS

ASSEMBLY INSTRUCTION MODEL #5264-EB-CL-MWP


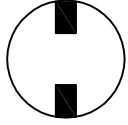
Pendant



Semi-Flush

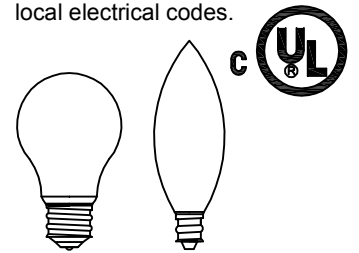


WARNING:

Electrical Danger Turn Power Off

All electrical components must be installed by a licensed electrician in accordance with the National Electric Code and the appropriate local electrical codes.



You will need 1 - Medium Bulb and 6 - Candelabra Bulb
40 Watts Recommended 60 Watts Max.
USE LED BULBS FOR EXTENDED USE

How to Install

FOR PENDANT

- 1). Screw the long nipple into coupling on top of frame.
- 2). Place long tube and check ring over nipple and secure with loop.
- 3). Install small loop to the canopy.
- 4). Connect fixture to the canopy with chain and key link.

FOR SEMI FLUSH

- 1). Screw the short nipple into coupling on top of frame.
- 2). Place short tube, check ring and canopy over nipple and secure them with nut.
- 3). Attach mounting plate to the outlet box using box screws.
- 4). Connect the fixture wires to the supply wires.
- 5). Mount the fixture to the outlet box with ball nuts.
- 6). Hook basket ring to the frame.
- 7). Hook crystal to the frame and body.
- 8). Install the bulb (Not included) in accordance with the fixture's specifications. (DO NOT EXCEED THE MAXIMUM WATTAGE RATING!)

Crystal Sets

A. 235 Pcs. 14mm+60mm

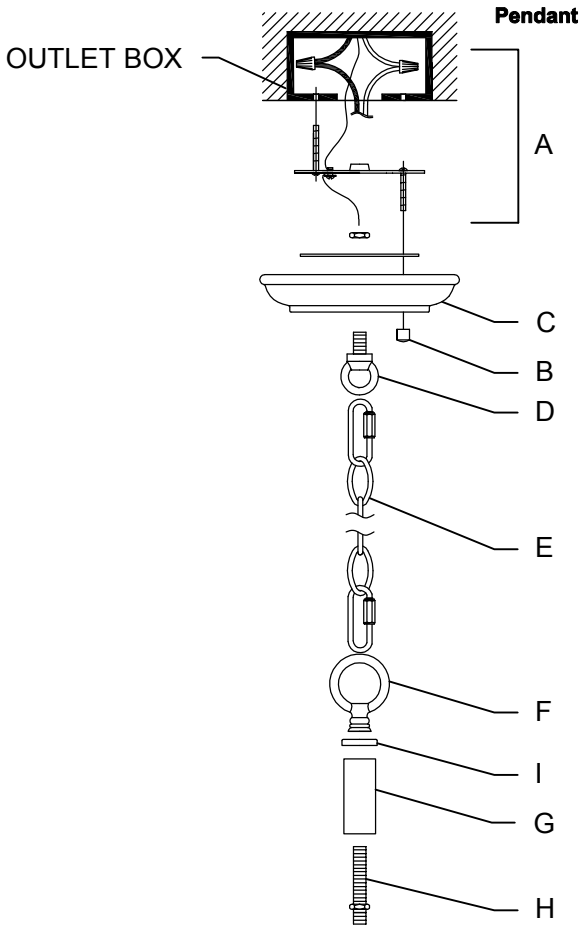


WARNING: This product can expose you to Lead, which is known to the State of California to cause cancer and/or birth defects or reproductive harm. For more information go to www.P65Warnings.ca.gov

CRYSTORAMA

LIGHTING THE WAY FOR SIXTY YEARS

PART NUMBER MODEL #5264-EB-CL-MWP



Part Number

Part Numbers

- A. Mounting Hardware
 - (3) - Wire connector
 - (1) - Mounting Plate
 - (2) - Box Screws
 - (1) - Grounding Screw
- B. (2) - Ball Nut; XVE5264EBBANUT
- C. (1) - Canopy; Ø6-1/4"x1-1/8"H;
XVE5264EBCAN6.25IN
- D. (1) - Small Loop;
- E. (1) - Chain; Ø3.8mm x 72";
XVE5264EBCHA3.8MM
- F. (1) - Loop;
- G. (1) - Long Tube; 125mm
- H. (1) - Long Nipple; 130mm
- I. (1) - Check Ring;
- J. (1) - Short Tube; 80mm
- K. (1) - Short Nipple; 80mm
- L.(1) - Basket Ring

