

CRYST RAMA



1958

95 Cantiague Rock Road, Westbury NY 11590

ph: 516.931.9090 fax: 516.931.1254

info@crystorama.com www.crystorama.com

MODEL#: 5201

ASSEMBLY AND DRESSING INSTRUCTIONS

1 Bobeche With 4 **A** Trim.



Outlet Box



Crossbar-**E**

D-Screw

Back Plate-**C**

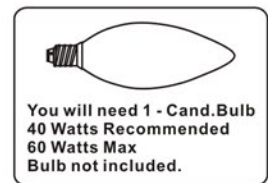
Metal Candle Sleeve

G

A-Crystal Trim

F-Finial Ball

B-Crystal Trim



WARNING:

Electrical Danger

Turn Power Off

All electrical components must be installed by a licensed electrician in accordance with the National Electric Code and the appropriate local electrical codes.




ASSEMBLY STEPS:


1) **D** → **E**

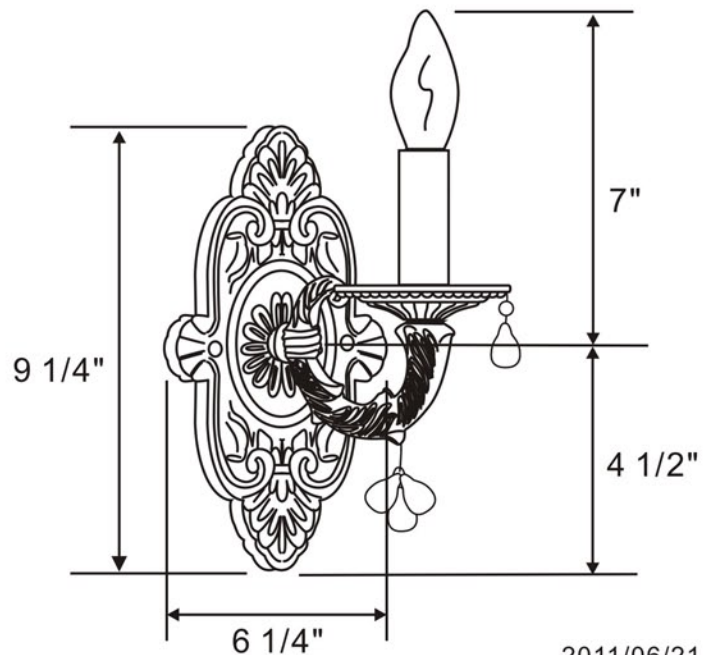
2) **D.E.F** → **C**

3) **G** → **C**

4) **A.B** → **C**

A =  (8mm+14mm) x 4sets

B =  (14mmx4pcs) x 1set



2011/06/21