

# CRYST RAMA

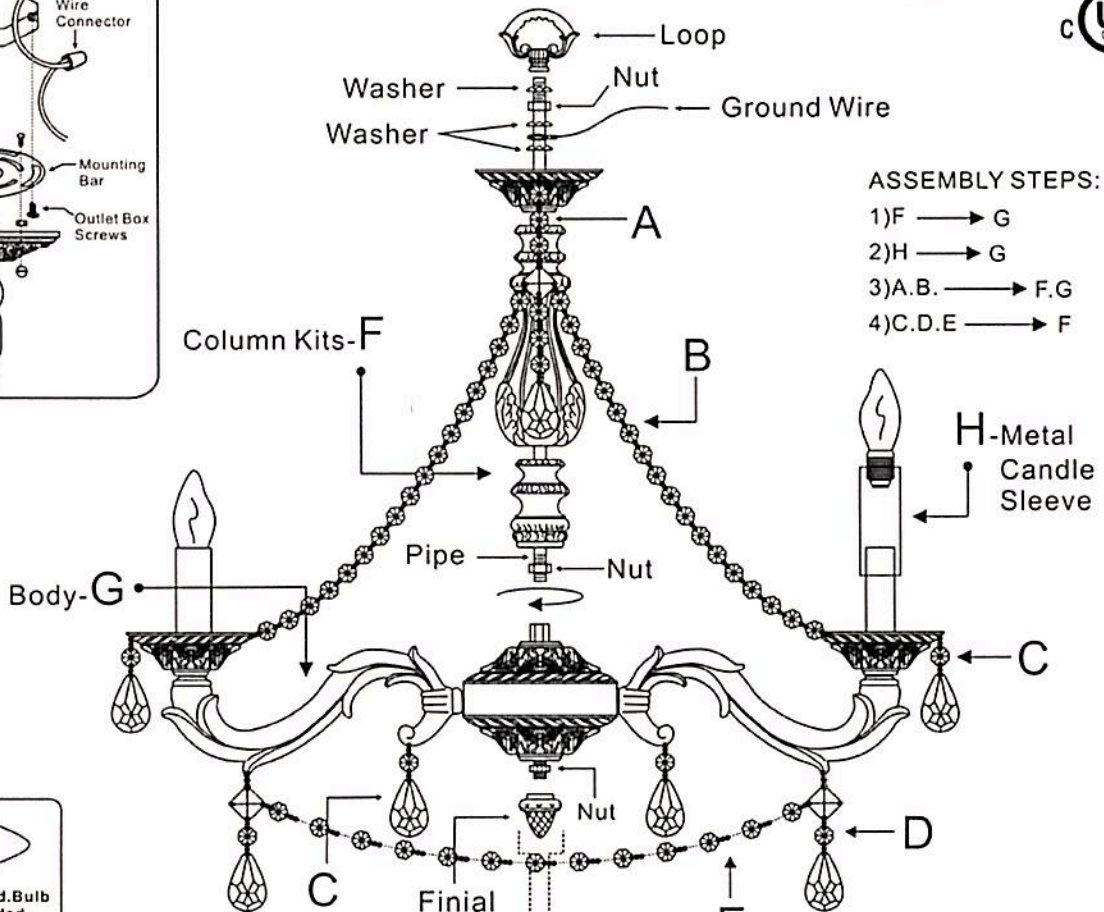
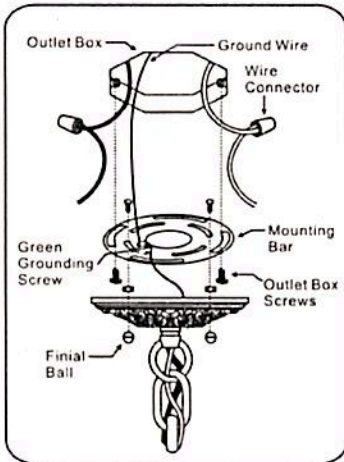
1958

95 Cantiague Rock Road, Westbury NY 11590  
 ph: 516.931.9090 fax: 516.931.1254  
 info@crystorama.com www.crystorama.com

## MODEL#: 5026 ASSEMBLY AND DRESSING INSTRUCTIONS

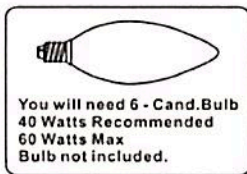


All electrical components must be installed by a licensed electrician in accordance with the National Electric Code and the appropriate local electrical codes.



**ASSEMBLY STEPS:**

- 1) F → G
- 2) H → G
- 3) A, B → F, G
- 4) C, D, E → F



A = (14mmx3pcs+18mm+14mmx3pcs+9/50-2")x6sets

B = (14mmx18pcs)x12sets-with short pin.

C = (14mm+9/50-2")x30sets

D = (18mm+14mm+9/50-2")x6sets-Wp.h.

E = (14mmx13pcs)x6sets-with short pin.

Screw	Crossbar	Nut & Washer
Nut	Finial Ball	Green Ground Screw
Loop		
Finial		
Chain		
Canopy		
<b>The Finial is contained in the canopy kit bag.</b>		