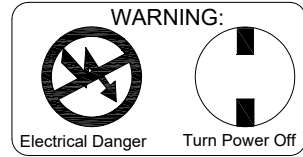
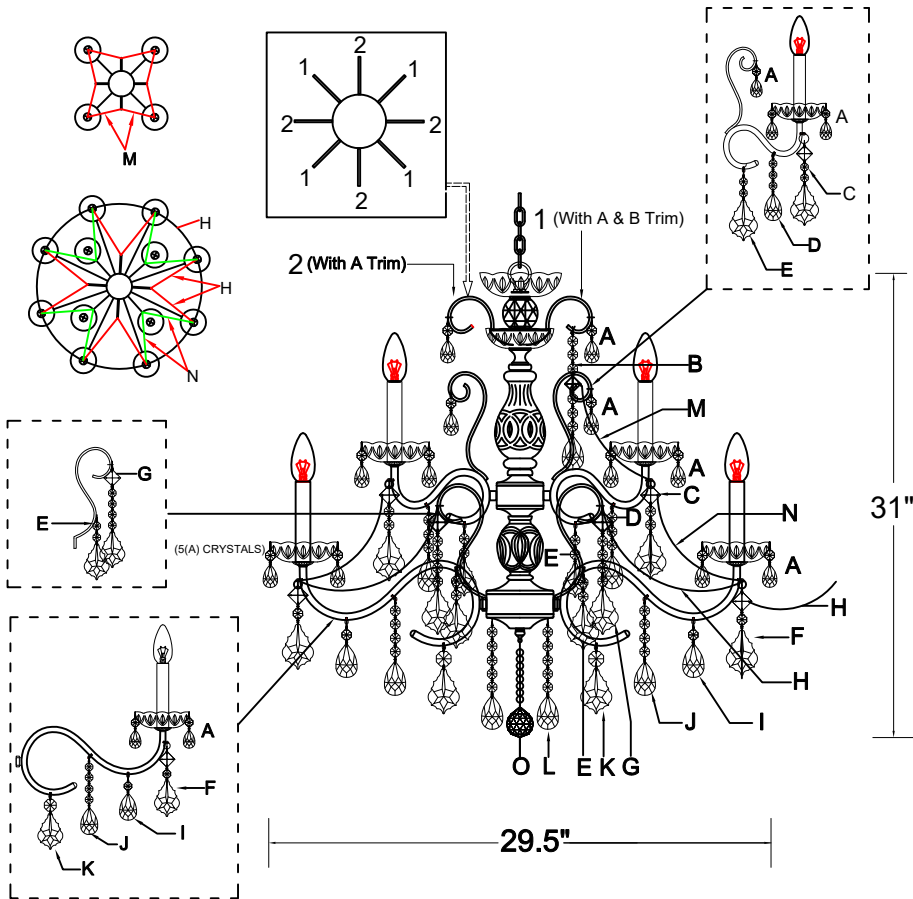


CRYSTORAMA



LIGHTING THE WAY FOR SIXTY YEARS

ASSEMBLY INSTRUCTION MODEL #3228-CH-CL-MWP



All electrical components must be installed by a licensed electrician in accordance with the National Electric Code and the appropriate local electrical codes.

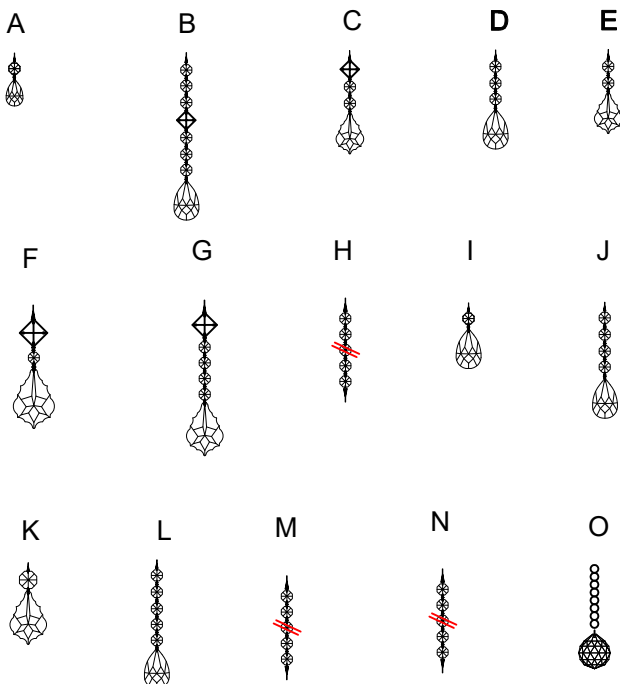


You will need 12-Candelabra Base Bulb
40 Watts Recommended 60 Watts Max
USE LED BULBS FOR EXTENDED USE
The fixture is dry rated

How to Install

1. Do a complete inventory of all parts and components before you start installing.
2. Screw the column kit on the coupling.
3. After safety attaching fixture into outlet box, install bobeches, bulbs (not included) and proceed to connecting the power.
4. When you begin to dress the fixture, start with packet labeled (A).
5. IMPORTANT: Apply crystal sets in alphabetical order.

DETAILED ILLUSTRATION



Crystal Sets

- A. 72Sets. (1)14mm + AS9-1.5"
- B. 4Sets. (1)18mm Square + (6)14mm + AS9-2"
- C. 4Sets. (1)22mm Square + (2)14mm + AS20-3"
- D. 4Sets. (3)14mm + AS9-2"
- E. 8Sets. (2)14mm + AS20-3"
- F. 8Sets. (1)22mm Square + (1)14mm + AS20-3"
- G. 4Sets. (1)22mm Square + (4)14mm + AS20-3"
- H. 16Sets. (14)14mm
- I. 8Sets. (1)14mm + AS9-2"
- J. 8Sets. (4)14mm + AS9-2"
- K. 8Sets. (1)22mm + AS20-3"
- L. 6Sets. (5)14mm + AS9-2"
- M. 8Sets. (16)14mm
- N. 8Sets. (12)14mm
- O. 1Piece. (8)10mm + AS8-40mm Ball

WARNING: This product can expose you to Lead, which is known to the State of California to cause cancer and/or birth defects or reproductive harm. For more information go to www.P65Warnings.ca.gov

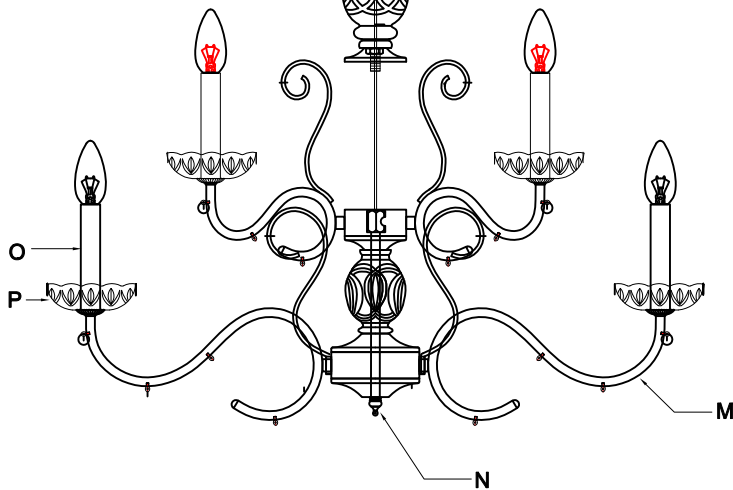
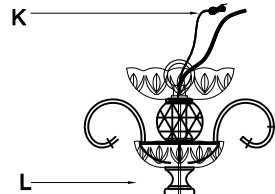
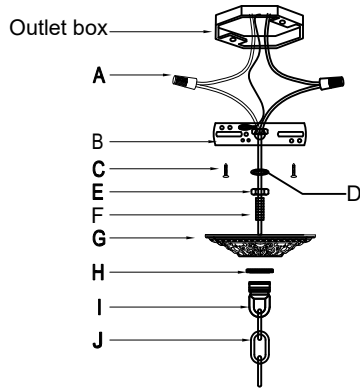
CRYSTORAMA

LIGHTING THE WAY FOR SIXTY YEARS



Crystorama.com

PART NUMBER MODEL #3228-CH-CL-MWP



Part Number

Part Numbers

- A. (2)-Wire Connector
- B. (1)-Mounting Plate
- C. (2)-Outlet Box Screws
- D. (1)-Lock Washer
- E. (1)-Hex Nut
- F. (1)-Nipple
- G. (1)-Canopy; w5" x h1" (XFB3228CHCAN4IN)
- H. (1)-Collar Ring
- I. (1)-Collar Loop
- J. (1)-Chain; 72", 5mm (XFB3228CHCHA5MM)
- K. (1)-Ground Wire
- L. (1)-Column
- M. (1)-Frame
- N. (1)-Finial (XFB3228CHFIN)
- O. (12)-Candle Sleeve; h5" (XFB3228CHCDL4IN)
- P. (12)-Bobèche; Ø4", 24mm hole, 5pin (XFB3228CHBOB4IN)

PART BAG I : Includes Parts A,C

PART BAG II : Includes Parts B,D,E,F,H,I