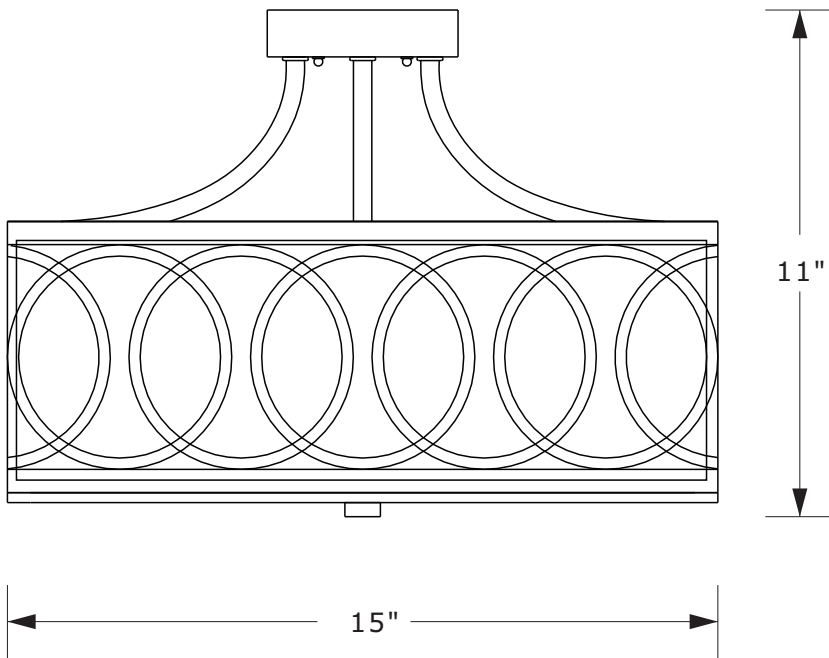


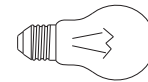
CRYSTORAMA

LIGHTING THE WAY FOR SIXTY YEARS

ASSEMBLY INSTRUCTION MODEL #285-GA



All electrical components must be installed by a licensed electrician in accordance with the National Electric Code and the appropriate local electrical codes.

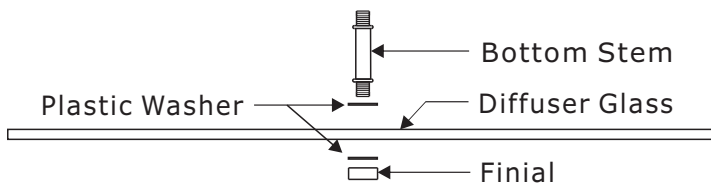


You will need 3 -Medium Bulb

60 Watts Recommended 100 Watts Max.


USE LED BULBS FOR EXTENDED USE

DETAILED ILLUSTRATION



How to Install

1. Do a complete inventory of all parts and components before you start installation.
2. Install bulbs (not included).
3. Remove the finial and the two plastic washers from the bottom stem.
4. Attach the bottom stem onto the bottom of the light cluster.
5. Put one plastic washer on the bottom of the bottom stem, then attach the diffuser glass and the other plastic washer, securing them with the finial.
6. Install the canopy onto the outlet box, and secure it with the ball nuts.
7. After safely attaching the fixture into the outlet box, proceed to connecting the power.

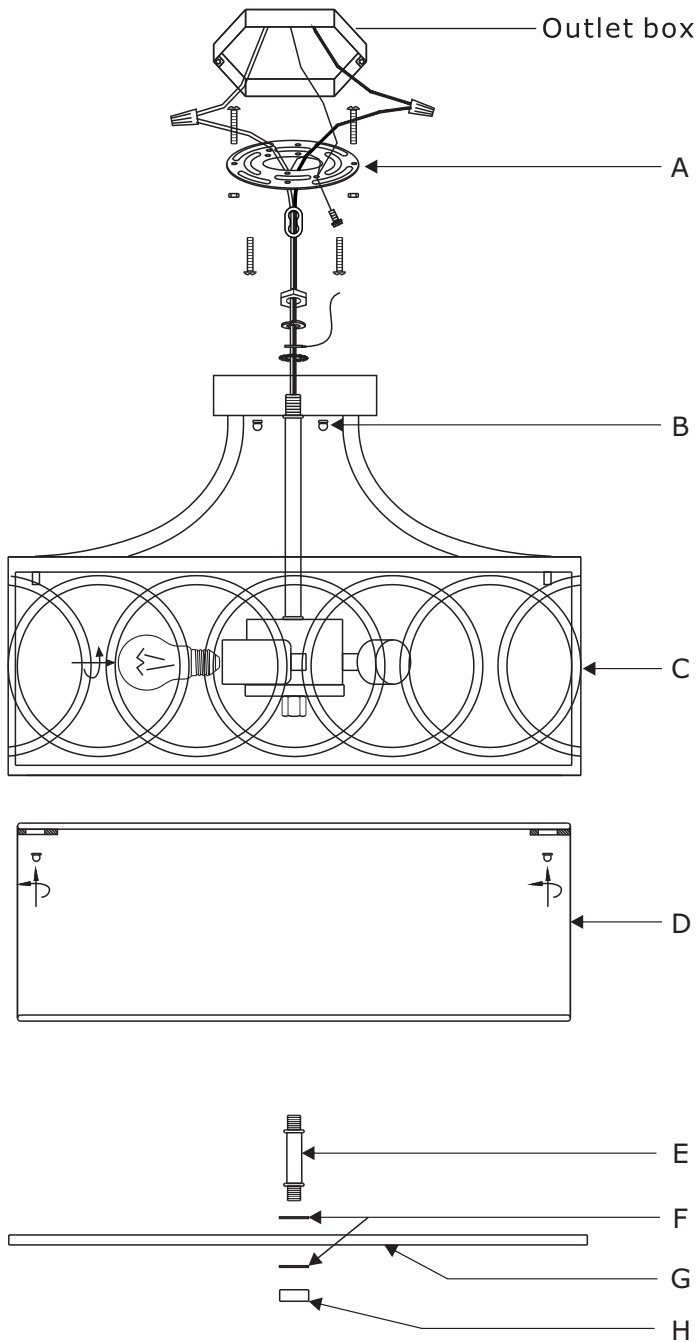
 **WARNING:** This product can expose you to Lead, which is known to the State of California to cause cancer and/or birth defects or reproductive harm. For more information go to www.P65Warnings.ca.gov.

CRYSTORAMA

LIGHTING THE WAY FOR SIXTY YEARS

PART NUMBER MODEL #285-GA

Part Number



- A. (1) - Mounting Hardware
- B. (5) - Ball Nut #XRE283GABANUT
- C. (1) - Metal Frame
- D. (1) - White Cloth Shade(W13.39",H5.12") #XRE285GASHA13.3IN
- E. (1) - Bottom Stem(1.97",9.5mm)
- F. (2) - Plastic Washer
- G. (1) - Diffuser Glass(W13.39") #XRE285GADIF13.3IN
- H. (1) - Finial #XRE285GAFIN