

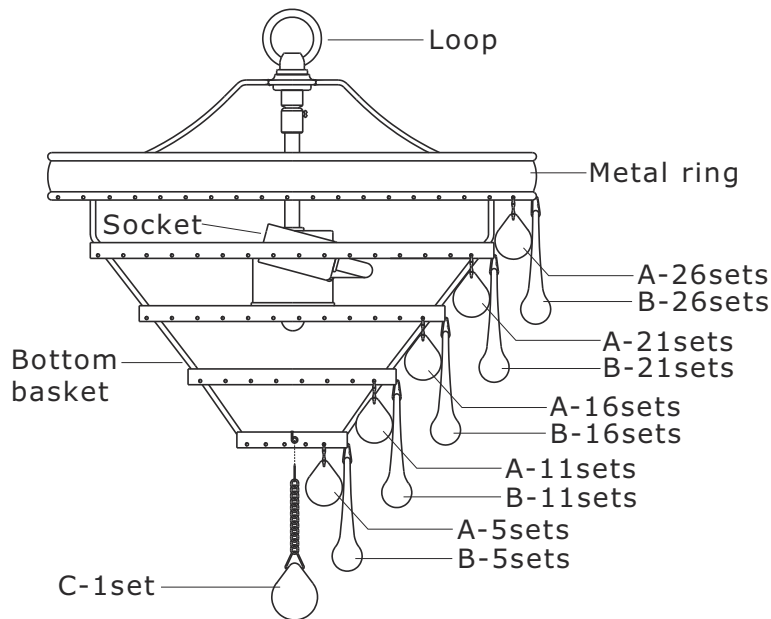
CRYSTORAMA

LIGHTING THE WAY FOR SIXTY YEARS

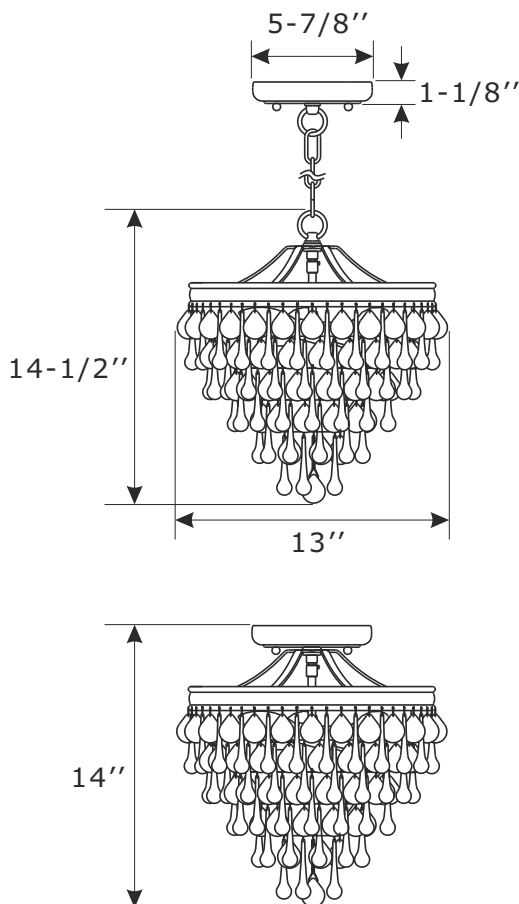





Crystorama.com

ASSEMBLY INSTRUCTION MODEL# 130-MK



Hang crystals on the rings alternating between crystals A and B



- A =  30mmx79sets
- B =  76mmx79sets
- C =  (30mm Ball with chain)x1set

WARNING:



All electrical components must be installed by a licensed electrician in accordance with the National Electric Code and the appropriate local electrical codes.



You will need 3- Candelabra Base Bulb
40 Watts Recommended 60 Watts Max.
USE LED BULBS FOR EXTENDED USE
This fixture is Damp rated

How to install

For hanging:

- Determine the preferred hanging height and adjust to the chain required.
- Open one link of chain connect it to fixture loop and close the link. Open the other one link of chain connect it to loop of canopy and close the link.
- Thread the mounting screws into the matching holes of the mounting bar, and tighten with the small hex nut.
- Secure the mounting bar to the outlet box with the outlet box screws.
- Raise canopy allowing the mounting screws to protrude through the holes in the canopy, and secure with the ball nut.
- Hang crystals to the metal ring and bottom basket, alternating between glass drop A and B.
- Hang glass drop C at the bottom of the bottom basket.
- Install the bulb(not included) into the socket.

For ceiling:

- Loose the hex nut of canopy and disassemble canopy.
- Remove the loop on the top of the fixture.
- Slip the canopy, the metal washer and lock washer over the nipple, then secure with the hex nut.
- Thread the mounting screws into the matching holes of the mounting bar, and tighten with the small hex nut.
- Secure the mounting bar to the outlet box with the outlet box screws.
- Raise canopy allowing the mounting screws to protrude through the holes in the canopy, and secure with the ball nut.
- Install the bulb(not included) into the socket.
- Hang crystals to the metal ring and bottom basket, alternating between glass drop A and B.
- Hang glass drop C at the bottom of the bottom basket.

WARNING: This product can expose you to Lead which is known to the state of California to cause cancer and/or birth defects or reproductive harm. For more information go to www.P65Warnings.ca.gov

CRYSTORAMA

LIGHTING THE WAY FOR SIXTY YEARS



Crystorama.com

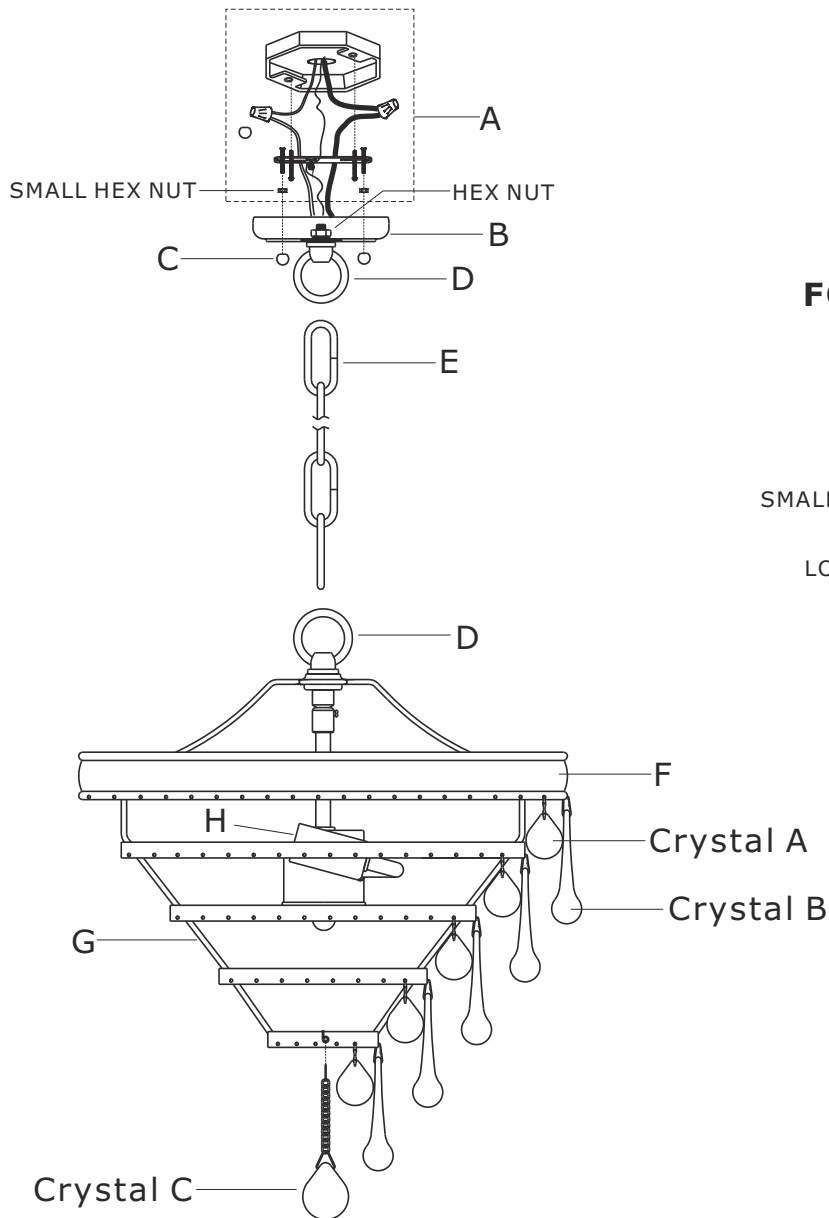
PART NUMBER MODEL# 130-MK

Part Number

Part Numbers

- A. (1)-Mounting hardware
- B. (1)-Canopy W5-7/8"xH1-1/8" #XRF130MKCAN6IN
- C. (2)-Finial #XRF130MKFIN
- D. (2)-Loop #XRF130MKLOOP
- E. (1)-Chain -L72", 4mm thick #XRF130MKCHA4MM
- F. (1)-Metal ring
- G. (1)-Bottom basket #XRF130MKBT
- H. (3)-Socket

FOR HANGING:



FOR CEILING:

