

Model# 0054-YELSRC-Q

Two Handle Wallmount Service Sink Faucet

FEATURES & SPECIFICATIONS

- 4" Wrist Blade Handles With Color-Coded Indexes
- 5-3/4" Rigid Spout With Pail Hook And Top Brace to Wall With Flange, Hose Thread
- 1/2-14 NPS Female Thread With Integral Stops
- Quick-Pression Quarter-Turn Stems, Replaceable Seats
- 2-Hole 3" to 13" Installation
- Vacuum Breaker

FINISHES

- RC Rough Chrome

STANDARDS

- ASME A112.18.1
- CUPC / IAPMO LISTED
- ANSI A117.1 / ADA COMPLIANT



WARRANTY

- Lifetime Limited Warranty
- Lifetime Residential Warranty
- 5 Year Commercial Warranty

0054-YELSRC-Q/REV. 11 2016

Product Specifications subject to change without notice

Job Name _____ Date _____

Model Specified _____ QTY _____

Customer/Wholesaler _____

Contractor _____

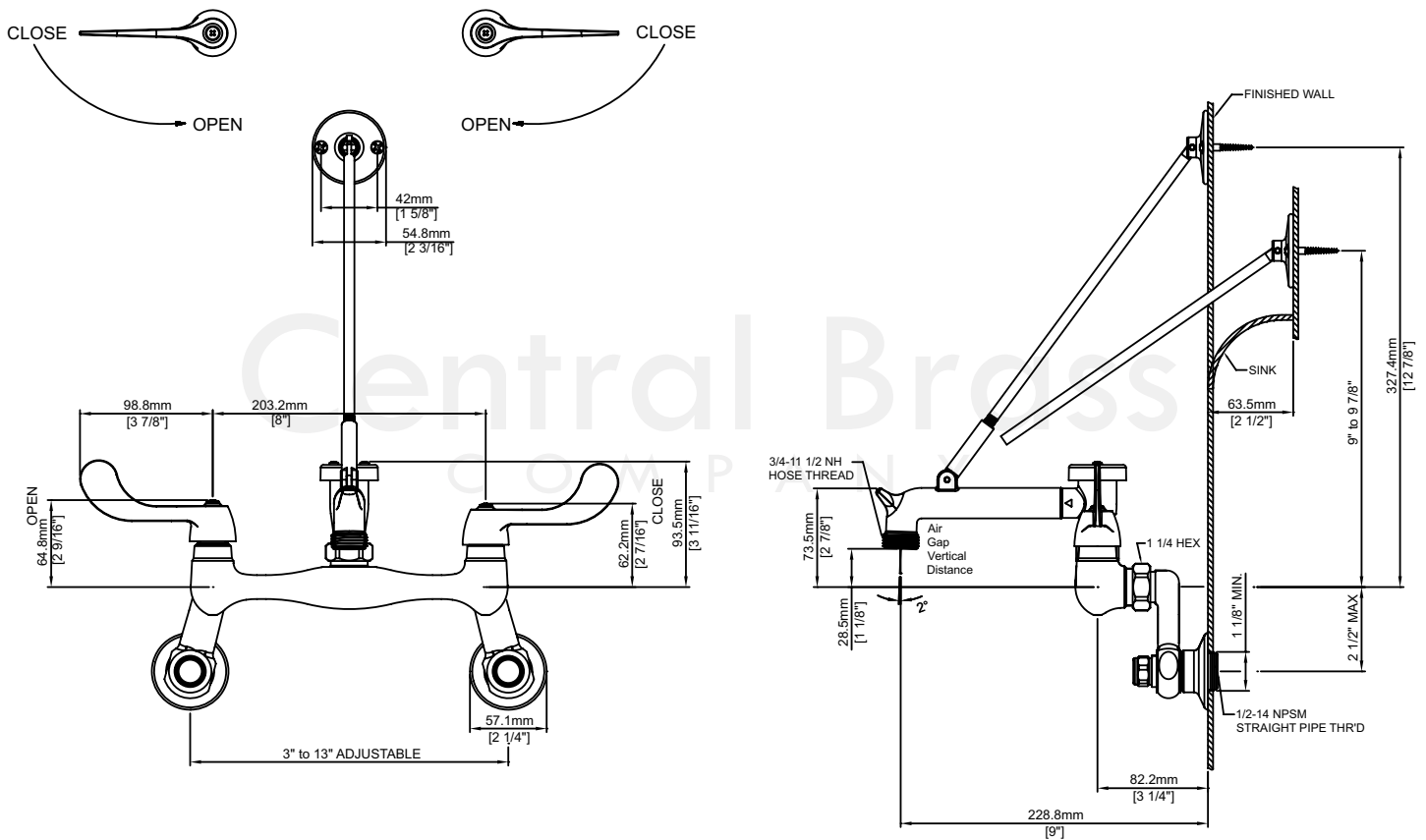
Architect/Engineer _____

Submitted as Shown _____

Submitted w/ Variations _____

Model# 0054-YELSRC-Q

Two Handle Wallmount Service Sink Faucet



0054-YELSRC-Q/REV. 11 2016

Product Specifications subject to change without notice