

American Standard

# SERIN™ VESSEL LAVATORY FITTING

## Installation Instructions 2064.15X



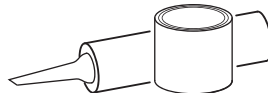
Certified to comply with ANSI A112.18.1

M968917 Rev. 2.2 (3/16)

### Recommended Tools



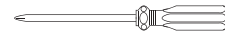
Adjustable Wrench



Plumbers' Putty or Caulking



Flat Head Screwdriver



Phillips Screwdriver



Channel Locks

### CARE INSTRUCTIONS:

**DO: CLEAN WITH CLEAR WATER. DRY WITH A SOFT COTTON FLANNEL CLOTH.**

**DO NOT: DO NOT CLEAN THE PRODUCT WITH SOAPS, ACID, POLISH, ABRASIVES, HARSH CLEANERS, OR A CLOTH WITH A COARSE SURFACE.**

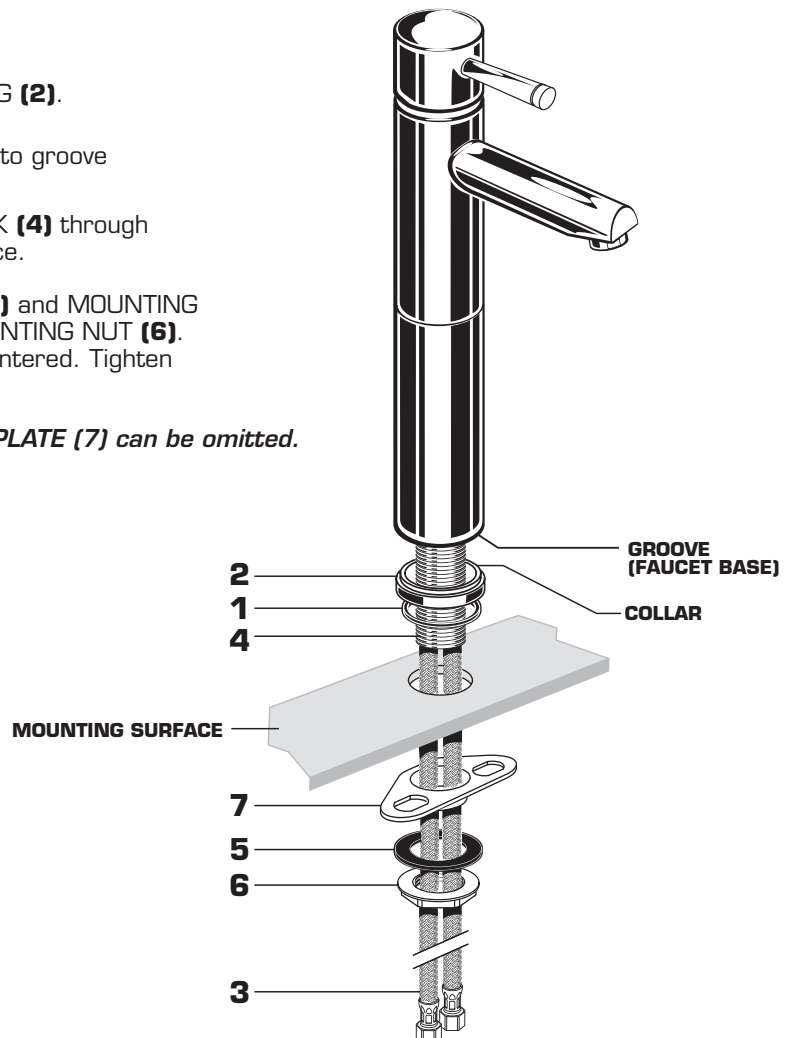
### 1 INSTALL LAVATORY FAUCET

#### CAUTION

Turn off hot and cold water supplies before beginning.

- Seat SEAL (1) into under side of ESCUTCHEON RING (2).
- Seat ESCUTCHEON RING (2) with collar facing up into groove in faucet base.
- Feed FAUCET SUPPLIES (3) and MOUNTING SHANK (4) through ESCUTCHEON RING (2) and hole in mounting surface.
- From below, install SUPPORT PLATE (7) GASKET (5) and MOUNTING NUT (6) onto SHANK (4). Secure Faucet with MOUNTING NUT (6). Before final tightening, adjust Faucet so that it is centered. Tighten MOUNTING NUT (7) to complete mounting.

*Note: For thick deck installations, the SUPPORT PLATE (7) can be omitted.*

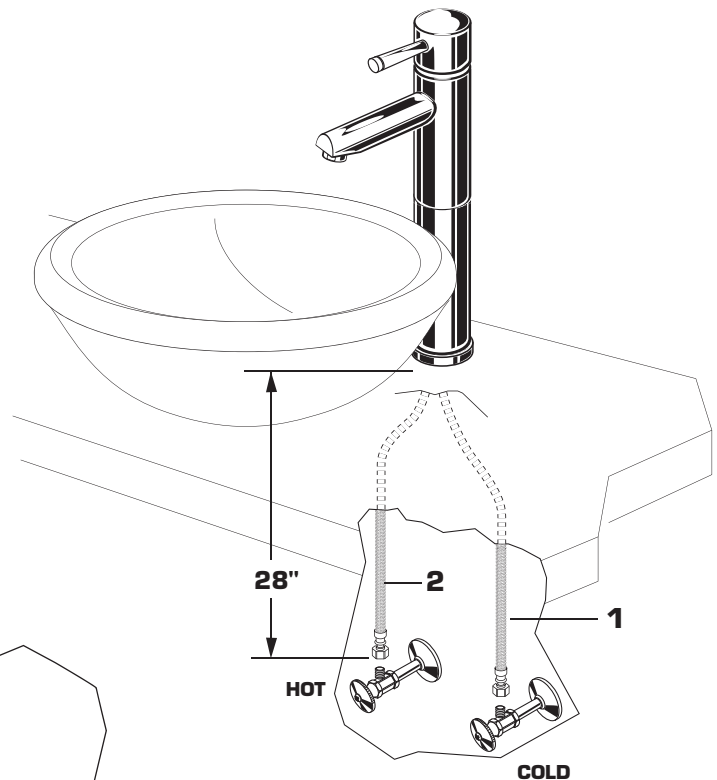
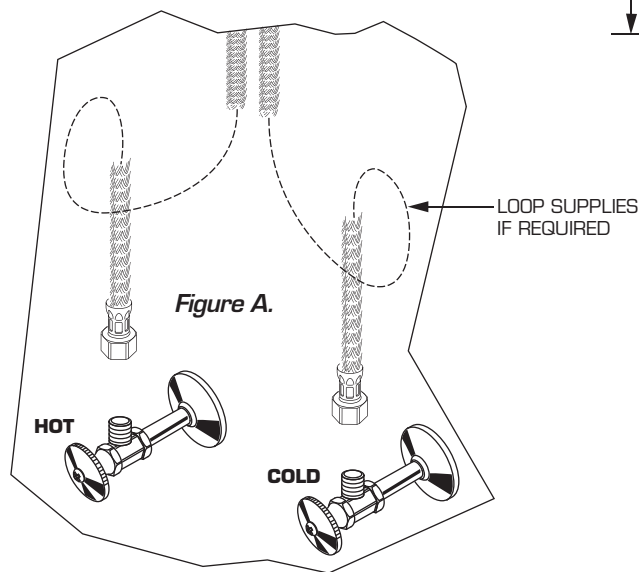


## 2 MAKE WATER SUPPLY CONNECTIONS

- Turn off hot and cold water supplies before beginning.
- Connect FLEXIBLE SUPPLIES (1, 2) directly to wall supplies. Connection on fitting supplies are 3/8" compression. Connect left supply to Hot and right supply to the Cold wall supply. Use adjustable wrench to tighten connections. Do not over tighten.
- Faucet supplies are 28" long from faucet base.

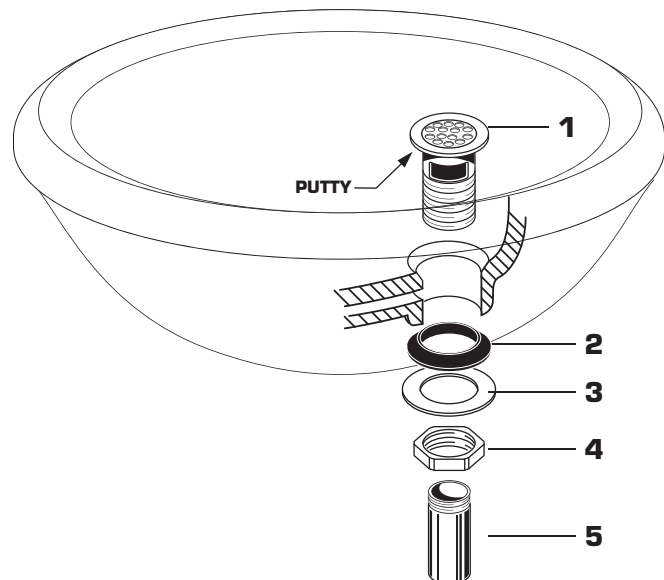
**Note:** If additional supply length is required, installer must purchase additional parts separately.

**Important:** If SUPPLY HOSES (1, 2) are too long, loop as illustrated to avoid kinking. Figure A.



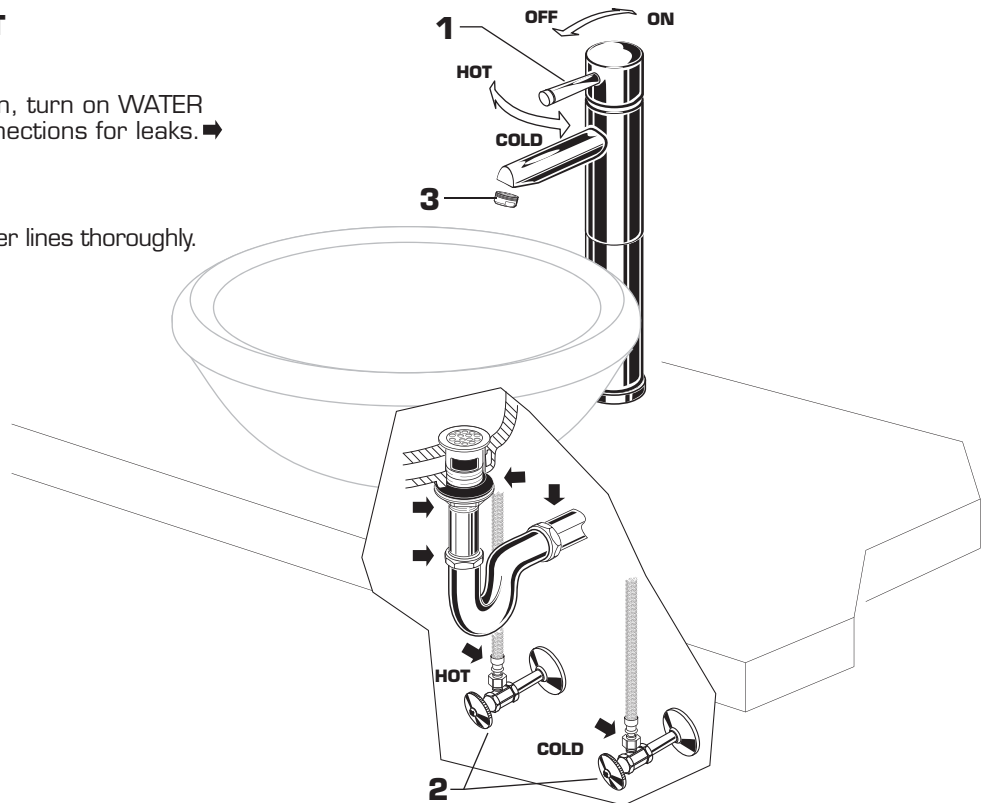
## 3 DRAIN INSTALLATION

- Apply a bead of PUTTY to underside of DRAIN BODY FLANGE (1).
- Feed DRAIN BODY (1) down through lavatory.
- Assemble GASKET (2) WASHER (3) and LOCKNUT (4) onto DRAIN BODY (1). Tighten LOCKNUT (4) firmly.
- Assemble TAILPIECE (5) to DRAIN BODY (1).



## 4 TEST INSTALLED FAUCET AND CHECK FOR LEAKS

- With HANDLE (1) in OFF position, turn on WATER SUPPLIES (2) and check all connections for leaks. ➔
- Remove AERATOR (3).
- Operate HANDLE (1) to flush water lines thoroughly.
- Replace AERATOR (3).



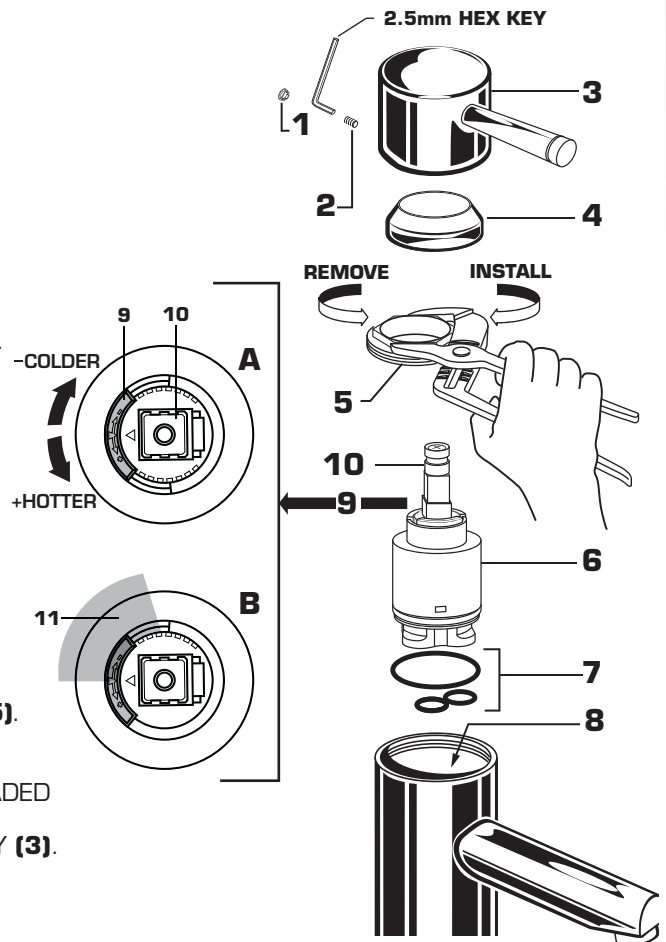
## 5 SERVICE CAUTION Turn off hot and cold water supplies before beginning.

- To remove or replace cartridge:
  - Turn valve to OFF position.
  - Pull out PLUG BUTTON (1) and remove HANDLE SCREW (2).
  - Pull off HANDLE (3) and CAP (4).
  - Unthread CARTRIDGE NUT (5) and remove.
  - Pull out CARTRIDGE (6).
  - Inspect CARTRIDGE (6) and O-RINGS (7) for debris and clean if necessary.
  - Clean MANIFOLD (8) and rinse clean.
  - Reinstall CARTRIDGE (6) and O-RINGS (7) onto MANIFOLD (8).
  - Reinstall CARTRIDGE NUT (5), CAP (4) and HANDLE ASSEMBLY (3).
- If spout drips, operate handle several times from OFF to ON and HOT to COLD position. Do not force - handle turns only 90°.

### ADJUST HOT LIMIT SAFETY STOP

By restricting HANDLE rotation and limiting the amount of hot water allowed to mix with the cold, the HOT LIMIT SAFETY STOP (9) reduces risk of accidental scalding. To lower the maximum hot water temperature of your faucet, all you need to do is adjust the setting on the HOT LIMIT SAFETY STOP (9). **Note: The HOT LIMIT SAFETY STOP (9) is set at the neutral setting from the factory. Fig. A.**

- To adjust HOT LIMIT SAFETY STOP:
  - Remove HANDLE ASSEMBLY (3), CAP (4) and CARTRIDGE NUT (5).
  - Set the CARTRIDGE STEM (10) to the OFF position.
  - Lift up the HOT LIMIT SAFETY STOP (9).
  - Place the HOT LIMIT SAFETY STOP (9) in the desired GRAY SHADED AREA (11) to limit the hot water. **Fig. B.**
  - Reinstall CARTRIDGE NUT (5), CAP (4) and HANDLE ASSEMBLY (3).



## 6 CARE INSTRUCTIONS:

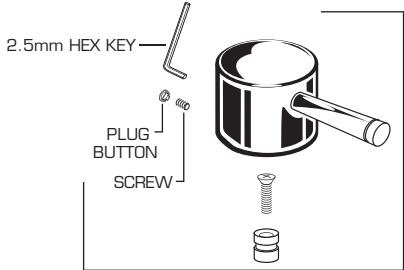
**DO: SIMPLY RINSE THE PRODUCT CLEAN WITH CLEAR WATER. DRY WITH A SOFT COTTON FLANNEL CLOTH.**  
**DO NOT: DO NOT CLEAN THE PRODUCT WITH SOAPS, ACID, POLISH, ABRASIVES, HARSH CLEANERS, OR A CLOTH WITH A COARSE SURFACE.**

# SERIN™ VESSEL FITTING

MODEL NUMBER

**2064.15X**

*American Standard*



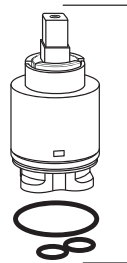
**M962419-YYY0A**  
HANDLE KIT



**607641-YYY0A**  
CARTRIDGE CAP



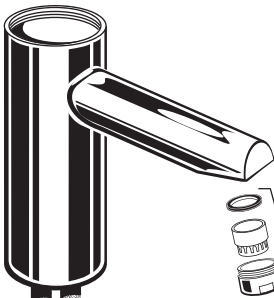
**603275-0070A**  
CARTRIDGE NUT



**M951472-0070A**  
CARTRIDGE

Replace the "YYY" with appropriate finish code

|              |     |
|--------------|-----|
| CHROME       | 002 |
| SATIN NICKEL | 295 |



**M964481-YYY0A**  
AERATOR (1.2 GPM)



**M919342-YYY0A**  
EXTENSION KIT



**M962421-YYY0A**  
ESCUTCHEON KIT



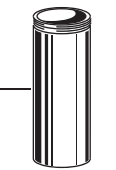
**A923480-0070A**  
SUPPORT PLATE



**M961634-0070A**  
MOUNTING KIT



**015025-YYY0A**  
DRAIN COMPLETE



**070532-0040A**  
TAILPIECE

PART OF **LIXIL**

M968917 Rev. 2.2 (3/16)

Product names listed herein are trademarks of AS America, Inc.  
© AS America, Inc. 2016

**HOT LINE FOR HELP**

For toll-free information and answers to your questions, call:  
1 (800) 442-1902  
Mon. - Fri. 8:00 a.m. to 8:00 p.m. EST  
Saturday 10:00 a.m. to 4:00 p.m. EST  
IN CANADA 1-800-387-0369  
(TORONTO 1-905-306-1093)  
Weekdays 8:00 a.m. to 7:00 p.m. EST  
IN MEXICO 01-800-839-1200

