



Submittal Sheet

Aquatic products may be specified as Lasco Bathware.

16034BFSBTTR

ADA compliant without Seat

CUSTOMER: _____

JOB NAME: _____

PO #: _____ QUOTE #: _____

DATE: _____ QUANTITY: _____

SHIP TO: _____

_____/_____/_____
PLUMBING CONTRACTOR APPROVAL DATE

_____/_____/_____
GENERAL CONTRACTOR APPROVAL DATE

_____/_____/_____
ENGINEER APPROVAL DATE

_____/_____/_____
ARCHITECT APPROVAL DATE

CONFIGURATION (handed by fixture wall)

- Shell reinforced for future accessory installation
 - Fixture wall LH RH Back wall
 - Optional vertical bar reinforcement (entry wall)
 - LH RH Both
 - Fully configured without seat — ADA
 - Seat Location LH RH
- Includes two 24" x 1 1/4" diameter stainless grab bar located on the side walls; One 48" x 1 1/4" diameter stainless grab bar located on the back wall; pressure balancing mixing valve; hand-held shower assembly; and stainless steel grate per ADA guidelines.

CUSTOM OPTIONS (not available if ADA configuration is selected)

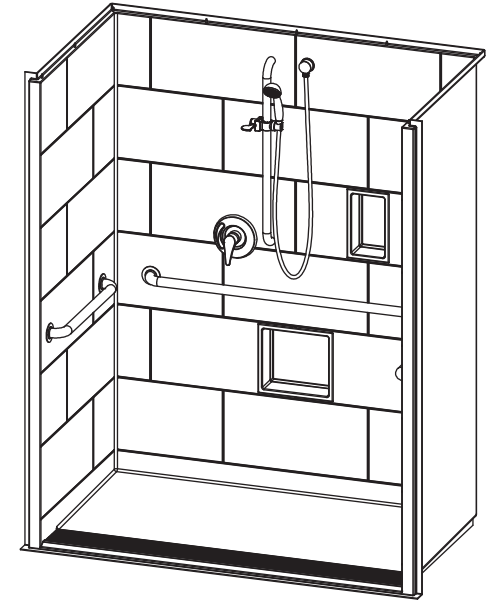
- Grab bars:
- Two 24" (side walls) and one 48" (back wall)
 - Stainless steel (1 1/4" dia.)
 - Powder-coated white (1 1/4" dia.)
- Fixture wall LH RH Back wall
- Hand-held shower assembly with 30" slide bar and 60" hose
 - Pressure balancing mixing valve
- Grate:
- Stainless steel
 - White

OPTIONAL ACCESSORIES (available for all models)

- Large soap dish (12 1/2 W x 3 1/2 D x 1 1/2 H), shipped loose
- Small soap dish (7 W x 3 1/2 D x 1 1/2 H), shipped loose
- Curtain rod (Not ADA compliant)
- Shower curtain
- Brass drain

Standard colors:

- Colors:
- Standard White
 - Upgraded Biscuit Bone
 - Other (contact customer service for custom color options)
- Additional accessories:



STANDARD FEATURES

- Pre-leveled base
- AcrylX™ applied acrylic surface
- 1/2" skirt
- 1/2" COL exterior threshold
- Compliant when properly installed
- Center drain outlet
- Integral front trench drain
- Lifetime Limited Warranty Residential Use/ 30-year Commercial Use
- 12" x 24" subway tile
- Slip resistant, textured bottom [ASTM F-462]
- Code compliant when fully equipped and installed according to guidelines

- Int. Dim. 60 W x 34 D x 76 3/4 H
- Ext. Dim. 66 W x 36 1/4 D x 78 3/4 H
- Skirt Ht. 1/2 skirt, 1/2 COL exterior threshold
- Packaged Wt. 210 lbs.
- Material AcrylX™ applied acrylic
- Warranty Lifetime Limited Residential Use/ 30-year Commercial Use*

* See terms and conditions for details

inches

To complete your order, this document must be signed and faxed to the Aquatic Centralized Customer Service Center.

Fax (866) 544-5353 • Phone (800) 945-2726

For pricing of units and additional options, reference the Aquatic Price Book. • Please indicate custom changes on reverse side drawings.

Rev. 07.27.20

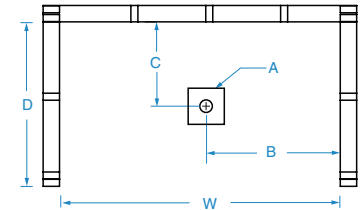


Submittal Sheet

Aquatic products may be specified as Lasco Bathware.

16034BFSBTTR ADA compliant without Seat

Please indicate changes needed.

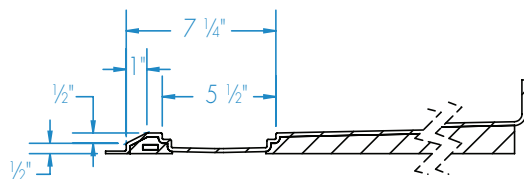
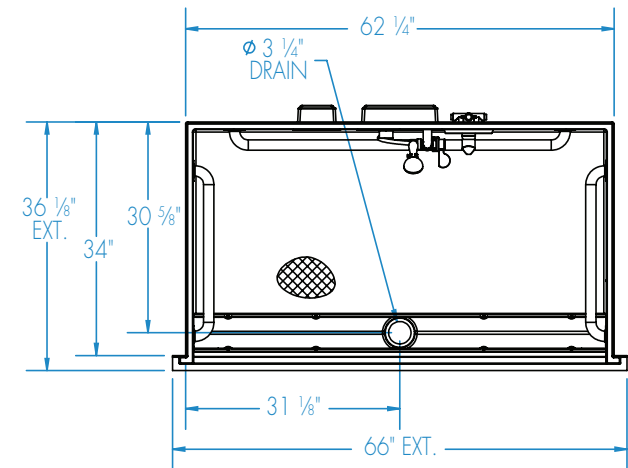
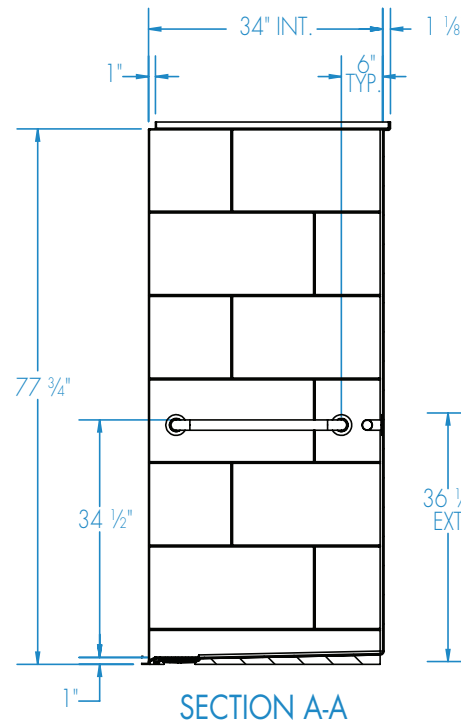
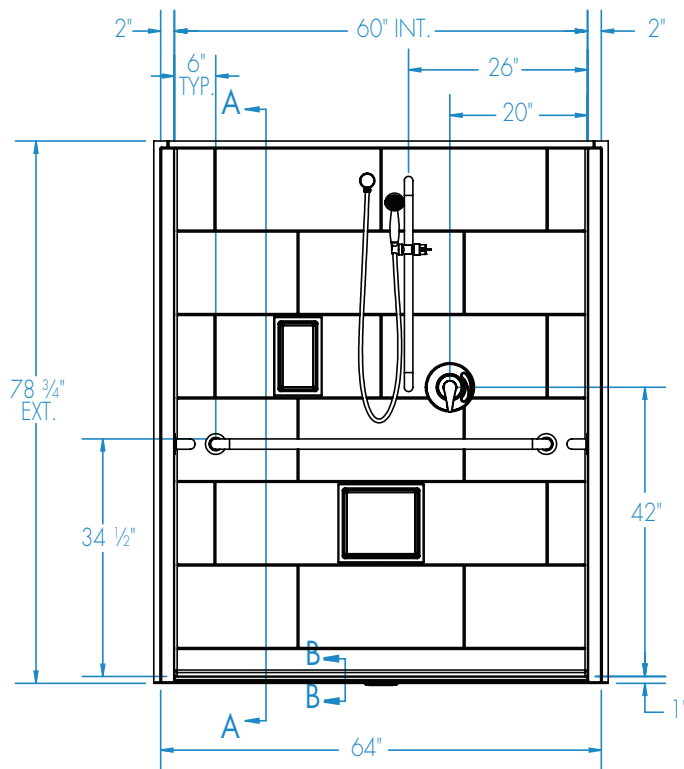


FRAMING DIMENSIONS inches (mm)

Type	D Depth	W Width	A	B	C
Alcove	34	62 ¼	Box Out	31 ½	30 ⅝

Installation Options:

1. Install in a recessed pit for rough-in floor installation.
2. Build sub-floor to level finished floor with top of shower threshold.



SECTION B-B
trench grate (included), not shown

ADA/ANSI compliant when fully equipped and installed according to guidelines.

Shell tolerance: +0, - 3/8" All other tolerances: ± 1"



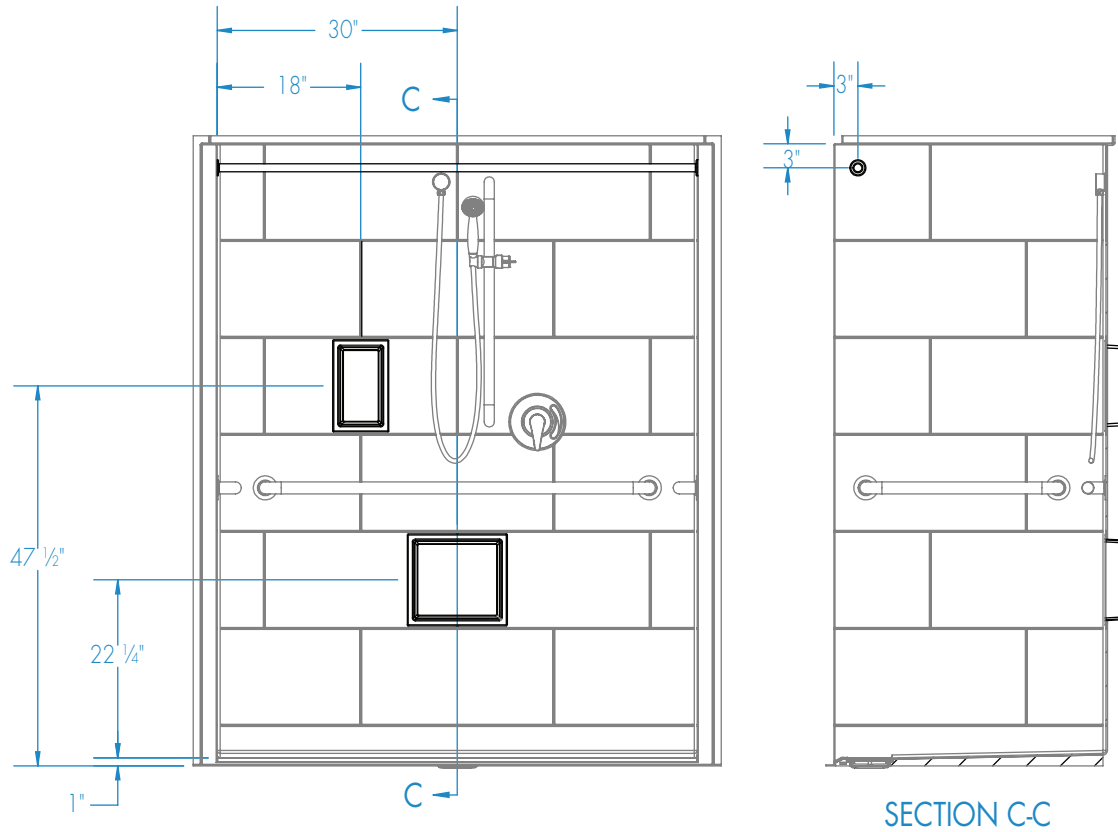
Submittal Sheet

Aquatic products may be specified as Lasco Bathware.

16034BFSBTTR ADA compliant without Seat

Please indicate changes needed.

Curtain Rod and Soap Dish Locations (Standard Valve Configuration)



Shell tolerance: +0, - 3/8" All other tolerances: ±1"