

Model No :: **63963LEDD-MBL/ACR**  
 Name :: Float



Project Name :: \_\_\_\_\_  
 Location :: \_\_\_\_\_  
 Type :: \_\_\_\_\_  
 Quantity :: \_\_\_\_\_  
 Notes :: \_\_\_\_\_

**Product Information**

Product ID :: 63963  
 UPC Code :: 641594238280  
 Mounting Type :: Ceiling  
 Finish :: Matte Black (MBL)  
 Diffuser :: Acrylic Lens (ACR)  
 Alt. Finishes :: Silver (SILV), Matte White (MWH)  
 Alt. Diffusers :: Acrylic Lens (ACR)

**Product Dimensions**

Fixture	Canopy
Length :: 1.75"	Length :: 3"
Width :: 36"	Width :: 12"
Diameter :: N/A	Diameter :: N/A
Extension :: N/A	Height :: 1.5"
Height :: 2.75"	
Overall Height :: 5-120"	



**Technical Specifications**

**Qualifications**

Location Rating :: Damp  
 Certification :: UL Listed (US/Canada)  
 IES File :: Yes  
 JA8 Compliant :: Yes  
 Energy Star :: No  
 ADA Compliant :: No  
 Marine Grade :: No  
 Emergency Lighting :: No  
 Warranty :: 5 Year Limited

**Specifications**

Frame Material :: Aluminum  
 Diffuser Material :: Acrylic  
 Voltage :: 120v  
 Lamping Type :: Dedicated LED  
 Lamping Base :: SSL  
 Lamp Quantity :: 1  
 Lamp Wattage :: 22 W  
 Total Wattage :: 22w  
 Lamps Included :: Yes  
 J-Box Type :: Standard

**Photometrics**

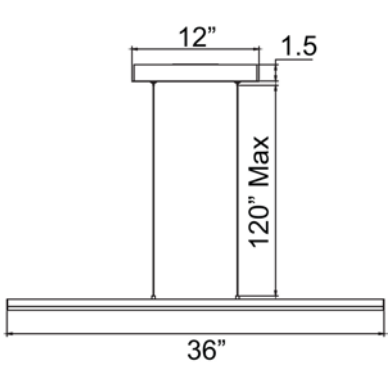
CCT :: 3000  
 CRI :: 90  
 Wattage :: 22w  
 Nominal Lumens :: 1760Lm  
 Delivered Lumens :: 1466Lm

**Recommended Dimmers**

(ELV) LUTRON Diva DVELV-300P; (ELV) LUTRON Diva DVELV-303P; (ELV) LUTRON Skylark SELV-300P; (TRIAC) LUTRON Diva DV-600P; (TRIAC) LUTRON Skylark S-600 or S-600P

Additional Items ::

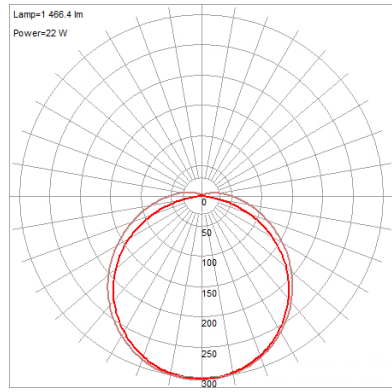
**Line Drawing #1**



**Line Drawing #2**



**IES File**



**Toll Free 800-828-5483 • www.AccessLighting.com**

14410 Myford Road, Irvine, CA 92606  
 The information provided is subject to change without notice. ©2020 Access Lighting Corporation. All Rights Reserved  
 Rev. 202004 Filename: 63963LEDD-MBL\_ACR.pdf

