

Model No :: **52220LEDDL-BS**
 Name :: **Mirage**



Project Name :: _____
 Location :: _____
 Type :: _____
 Quantity :: _____
 Notes :: _____

Product Information

Product ID :: 52220
 UPC Code :: 641594211252
 Mounting Type :: Ceiling
 Finish :: Brushed Steel (BS)
 Diffuser :: 0
 Alt. Finishes :: Bronze (BRZ); Brushed Steel (BS)
 Alt. Diffusers :: 0

Product Dimensions

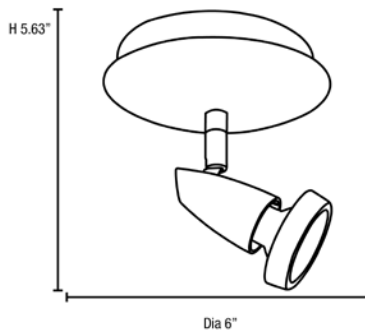
Fixture	Canopy
Length :: N/A	Length :: N/A
Width :: N/A	Width :: N/A
Diameter :: 6"	Diameter :: 6"
Extension :: N/A	Height :: 1.25"
Height :: 5.75"	
Overall Height :: N/A	



Technical Specifications

Qualifications	Specifications	Photometrics	Recommended Dimmers
Location Rating :: Dry	Frame Material :: Metal	CCT :: 3000	(ELV) LUTRON Skylark SELV-300P; (MLV) COOPER Aspire 9530SW; (TRIAC) LEGRAND Titan CD703-PW
Certification :: ETL Listed (US/Canada)	Diffuser Material :: 0	CRI :: 83	
IES File ::	Voltage :: 120v	Wattage :: 5.3w	
JA8 Compliant :: No	Lamping Type :: Replaceable LED	Nominal Lumens :: 380Lm	
Energy Star :: No	Lamping Base :: GU-10	Delivered Lumens :: N/A	
ADA Compliant :: No	Lamp Quantity :: 1	Additional Items :: 0	
Marine Grade :: No	Lamp Wattage :: 5.3 W		
Emergency Lighting :: No	Total Wattage :: 5.3w		
Warranty :: 1 Year Limited	Lamps Included :: Yes		
	J-Box Type :: Standard		

Line Drawing #1



Line Drawing #2

Image Not Available

IES File

Image Not Available

Toll Free 800-828-5483 • www.AccessLighting.com

14410 Myford Road, Irvine, CA 92606

The information provided is subject to change without notice. ©2020 Access Lighting Corporation. All Rights Reserved
 Rev. 202004 Filename:: 52220LEDDL-BS.pdf

