

Model No :: **50011LEDD-WH/CLR**
 Name :: Transformer



Project Name :: _____
 Location :: _____
 Type :: _____
 Quantity :: _____
 Notes :: _____

Product Information

Product ID :: 50011
 UPC Code :: 641594229196
 Mounting Type :: Ceiling
 Finish :: White (WH)
 Diffuser :: Clear (CLR)
 Alt. Finishes :: Black (BL); White (WH)
 Alt. Diffusers :: Clear (CLR)

Product Dimensions

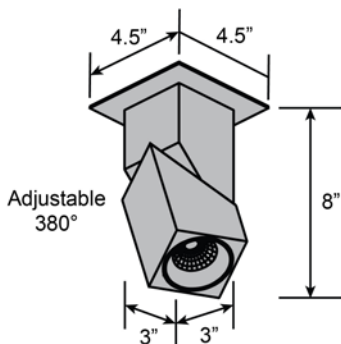
| Fixture | Canopy |
|-----------------------|-----------------|
| Length :: 3" | Length :: 4.5" |
| Width :: 3" | Width :: 4.5" |
| Diameter :: N/A | Diameter :: N/A |
| Extension :: N/A | Height :: 0.5" |
| Height :: 8" | |
| Overall Height :: N/A | |



Technical Specifications

| Qualifications | Specifications | Photometrics | Recommended Dimmers |
|--|-------------------------------|-------------------------|---------------------|
| Location Rating :: Damp | Frame Material :: Aluminum | CCT :: 3000 | 0 |
| Certification :: UL Listed (US/Canada) | Diffuser Material :: Glass | CRI :: 85 | |
| IES File :: | Voltage :: 120-277v | Wattage :: 11w | |
| JA8 Compliant :: No | Lamping Type :: Dedicated LED | Nominal Lumens :: 700Lm | |
| Energy Star :: No | Lamping Base :: SSL | Delivered Lumens :: N/A | |
| ADA Compliant :: No | Lamp Quantity :: 1 | Additional Items :: 0 | |
| Marine Grade :: No | Lamp Wattage :: 11 W | | |
| Emergency Lighting :: No | Total Wattage :: 11w | | |
| Warranty :: 5 Year Limited | Lamps Included :: Yes | | |
| | J-Box Type :: Standard | | |

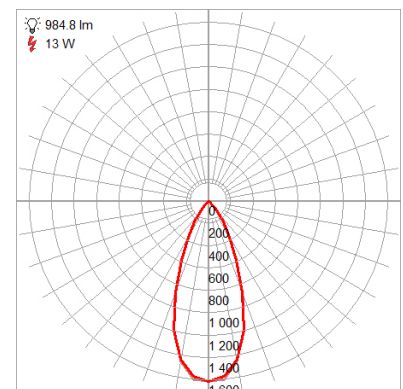
Line Drawing #1



Line Drawing #2

Image Not Available

IES File



Toll Free 800-828-5483 • www.AccessLighting.com

14410 Myford Road, Irvine, CA 92606

The information provided is subject to change without notice. ©2020 Access Lighting Corporation. All Rights Reserved
 Rev. 202004 Filename: 50011LEDD-WH_CLR.pdf

