

Stock Code: **20509LEDD-BRZ/ACR**

Collection: Solero III

PRODUCT INFORMATION

Base: 20509 Parent: 20509LEDD
Mounting Type: Ceiling UPC: 641594246223
Finish: Bronze
Diffuser: Acrylic Lens

PRODUCT MEASUREMENTS

FIXTURE	BACKPLATE / CANOPY
Length:	Length
Width:	Width:
Diameter 18"	Diameter:
Height: 4"	Height:
Extension:	
Overall Height:	

TECHNICAL SPECIFICATIONS

SPECIFICATIONS

Frame Material: Metal
Diffuser Material: Acrylic
Lamping Type: SSL (Dedicated LED) Jbox: Standard
Lamping Base: SSL Lamp Wattage: 30 W
Lamp Quantity: 1 Total Wattage: 30 W
Voltage: 120v Lamps Included: Yes

QUALIFICATIONS

Location Rating Damp
Certification: ETL (US/Canada) Listed
ADA Compliant: No Energy Star: No
JA8 Compliant: Yes Emergency Lighting: No
Marine Grade Finish: No
Warranty: 5 Year

PHOTOMETRICS

Dimmable: Yes Nominal Lumens 2200 Lm
CRI: 90 Delivered Lumens: 2004 Lm
CCT: 3000K
Recommended Dimmers:
(TRIAC)LEVITON Trimatron 6684; (TRIAC)LEVITON Decora Sureslide 6672; (TRIAC)LEVITON Decora Sureslide 6674;
(ELV)LUTRON Diva DVELV-300P; (TRIAC)LEVITON illumatech IPI06; (ELV)LUTRON Maestro CL MACL-153M;
(TRIAC)LUTRON Ariadni/Toggler TGCI -153P; (ELV)LUTRON

ADDITIONAL NOTES

Custom Finish 5 Piece Minimum Order Quantity; Optional Color Temperature 500 Piece Minimum Order Quantity

Project Name: _____

Location: _____

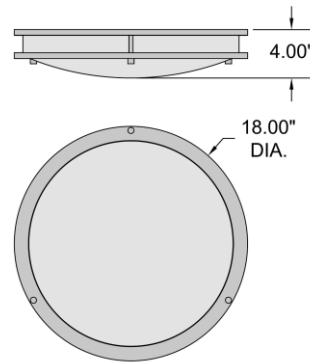
Type: _____

Quantity: _____

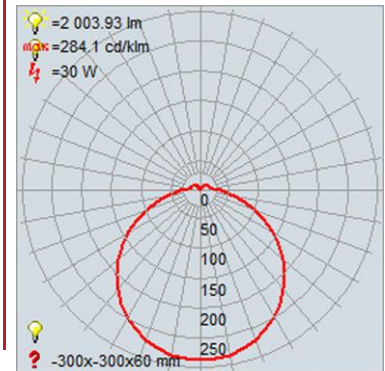
Notes: _____



LINE DRAWING



IES FILE



In addition to Access Lighting's purchase and warranty terms and conditions, by signing below or placing an order, you agree that you are authorized to bind the entity placing any order and acknowledge the following: All of sizes and measurements are approximate and all images are for illustrative purposes only. In the event of an inconsistency, the "Product Measurements" section controls. There also may be slight differences in the colors and designs compared to the displayed and printed images.

Signature: _____

Print Name _____ Date: _____

Toll Free 800-828-5483 www.AccessLighting.com

14410 Myford Road, Irvine, CA 92606

The information is subject to change without notice.

3/18/2023

20509LEDD-BRZ_ACR.pdf

access
LIGHTING