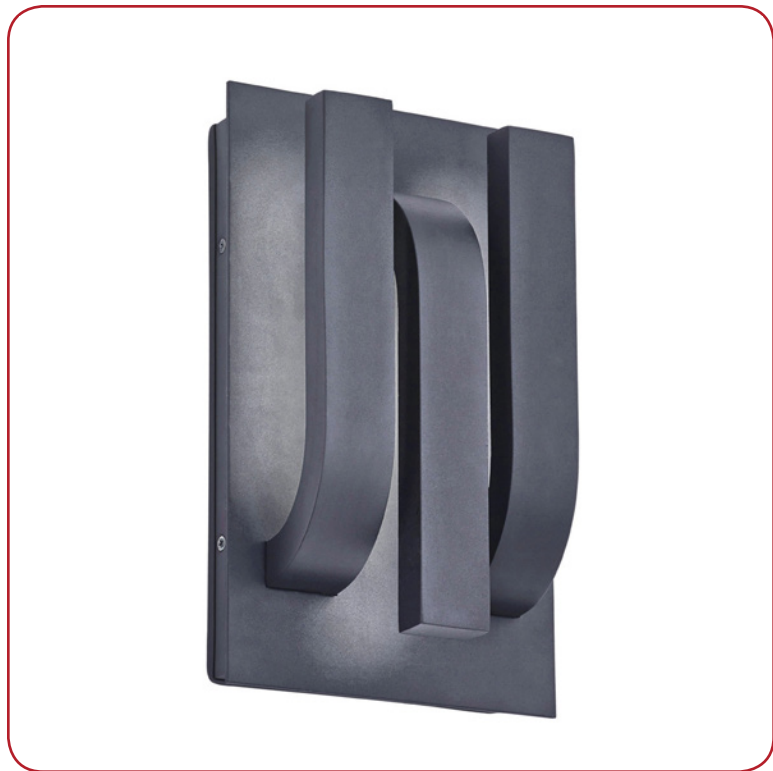


Model No :: **20056LEDDMG-SAT**
 Name :: Trilogy



Project Name :: _____
 Location :: _____
 Type :: _____
 Quantity :: _____
 Notes :: _____

Product Information	
Product ID ::	20056
UPC Code ::	641594215243
Mounting Type ::	Wall
Finish ::	Satin (SAT)
Diffuser ::	0
Alt. Finishes ::	Bronze (BRZ); Satin (SAT)
Alt. Diffusers ::	0

Product Dimensions			
Fixture		Canopy	
Length ::	N/A	Length ::	N/A
Width ::	9.75"	Width ::	N/A
Diameter ::	N/A	Diameter ::	N/A
Extension ::	3.75"	Height ::	N/A
Height ::	16"		
Overall Height ::	N/A		



Technical Specifications

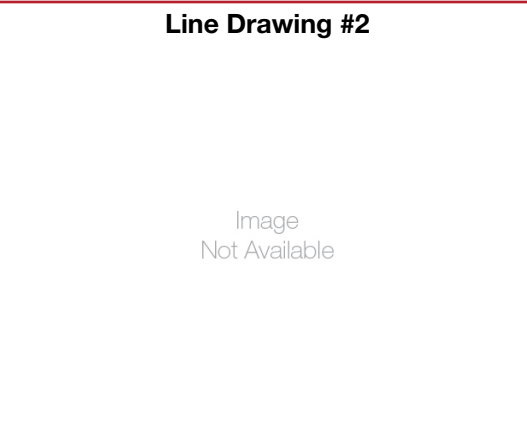
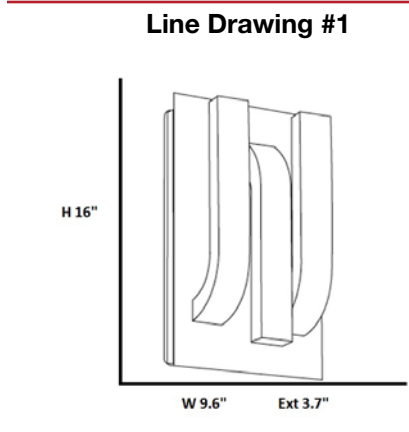
Qualifications	
Location Rating ::	Wet
Certification ::	UL Listed (US/Canada)
IES File ::	
JA8 Compliant ::	No
Energy Star ::	No
ADA Compliant ::	Yes
Marine Grade ::	Yes
Emergency Lighting ::	No
Warranty ::	5 Year Limited

Specifications	
Frame Material ::	Steel
Diffuser Material ::	Acrylic
Voltage ::	120v
Lamping Type ::	Dedicated LED
Lamping Base ::	SSL
Lamp Quantity ::	3
Lamp Wattage ::	6 W
Total Wattage ::	18w
Lamps Included ::	Yes
J-Box Type ::	Standard

Photometrics	
CCT ::	3000
CRI ::	80
Wattage ::	18w
Nominal Lumens ::	1600Lm
Delivered Lumens ::	N/A

Recommended Dimmers
(TRIAC) LEVITON Sureslide 6633-P; (TRIAC) LEVITON Surslide 6631; (TRIAC) LUTRON Skylark S-600 or S-600P

Additional Items :: Outdoor Installation California Energy Commission (CEC) Compliant (Title 24)



Toll Free 800-828-5483 • www.AccessLighting.com

14410 Myford Road, Irvine, CA 92606
 The information provided is subject to change without notice. ©2020 Access Lighting Corporation. All Rights Reserved
 Rev. 202004 Filename:: 20056LEDDMG-SAT.pdf

