



# INSTALLATION INSTRUCTIONS

## IMPORTANT SAFETY INSTRUCTIONS

### MESURES DE SECURITE A RESPECTURE

Before assembling your ACCESS LIGHTING fixture, please make sure that you carefully read through this instruction sheet. Save this instruction sheet and refer to it when additions to or changes in the fixture configuration are made.

Lisez attentivement ce manuel d'instructions. Enregistrer cette feuille d'instructions et de s'y référer lorsque les ajouts ou changements dans la configuration de montage sont faites.

CONSULT A QUALIFIED ELECTRICIAN TO ENSURE CORRECT BRANCH CIRCUIT CONDUCTOR.

CONSULTER UN ELECTRICIEN QUALIFIE POUR VOUS ASSURER QUE LES CONDUCTEURS DE LA DERIVATION SONT ADEQUATS

THIS PRODUCT MUST BE INSTALLED IN ACCORDANCE WITH THE APPLICABLE INSTALLATION CODE BY A PERSON FAMILIAR WITH THE CONSTRUCTION AND OPERATION OF THE PRODUCT AND THE HAZARDS INVOLVED.

CE PRODUIT DOIT ETRE INSTALLE SELON LE CODE D'INSTALLATION PERTINENT, PAR UNE PERSONNE QUI CONNAIT BIEN LE PRODUIT ET SON FONCTIONNEMENT AINSI QUE LES RISQUES INHERENTS

**NOTE:** The important safeguards and instructions that appear in this manual are not meant to cover all possible conditions and situations that may occur. It must be understood that common sense, caution and care, are factors that can't be built into any product. These factors must be supplied by the person(s) caring for and operating the fixture.

Read all instructions

Do not install this fixture in hazardous locations.

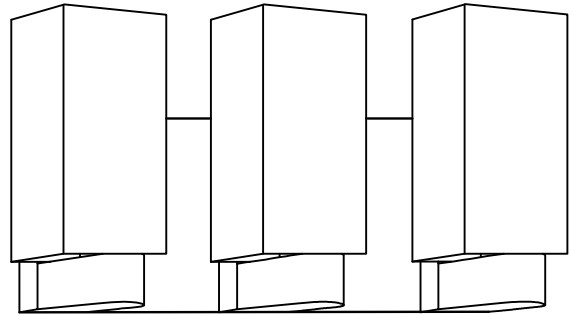
N'installez pas cet appareil dans des emplacements dangereux.

Do not install any fixture assembly closer than 6 inches from any curtain or similar combustible material.

Laissez une distance d'au moins 6 pouces entre ce luminaire et la toute surface combustible.

"WARNING Risk of Fire and Electric Shock."

"CAUTION: Risque d' Incendie et de Choc Electriques."



### COLLECTION

Archie

### APPLICATION

Wall Fixture

### MODEL NO.

50177

### WHAT WE PROVIDE

- Crossbar
- Mounting Hardware
- Mounting Plate
- Back Plate
- 3 x Glass Shades

### WHAT YOU NEED

- Screwdriver
- Wire Cutters
- Wiring Supplies as Specified by Electrical Code
- 3 x 60W E26 Medium Base Bulb

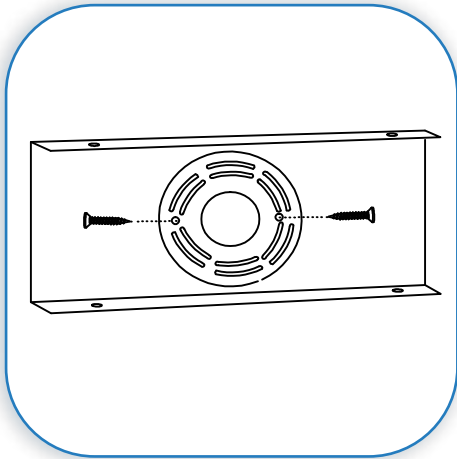
## GENERAL INFORMATION

All electrical connections must be in accordance with all ordinances, Local and the U.S. National Electrical Codes (NEC). These fixtures are intended for mounting to a standard 4" metal octagon outlet box.

The box must be directly supported by the building structure and U.L. Recognized.

## STEP BY STEP INSTRUCTIONS

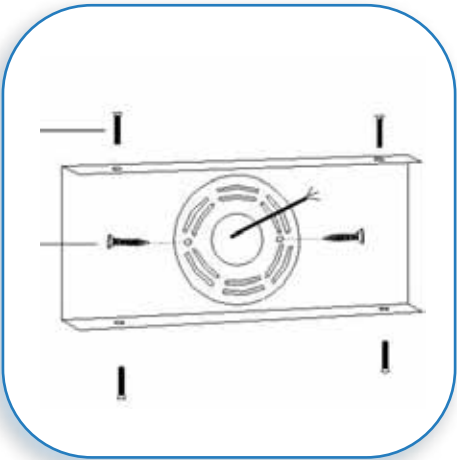
Before starting your installation disconnect the Power by turning off the Circuit Breaker or by removing the fuse at the fuse box. Just turning the light off at the light switch is not sufficient to prevent electrical shock.



1

**MOUNT BACK PLATE**

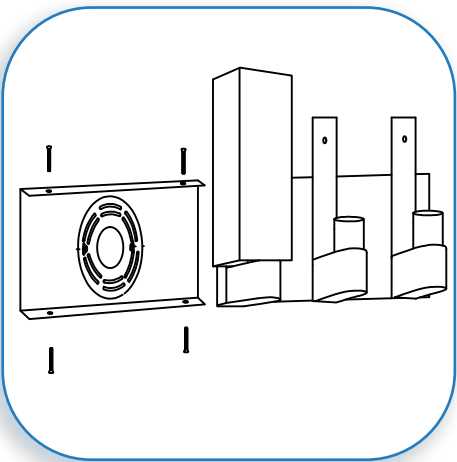
If there is an existing fixture remove it. Expose the supply wires from the j-box. Mount the back plate to the j-box with the supplied screws.



2

**CONNECT THE WIRES**

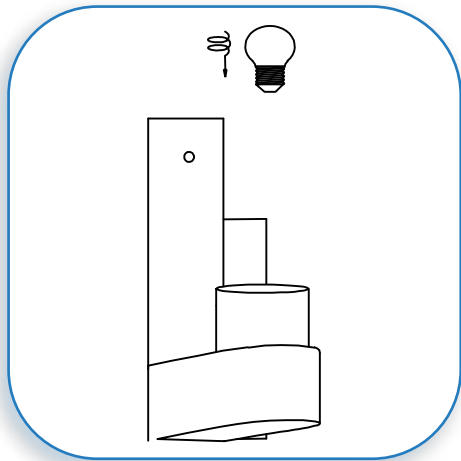
Gently pull the supply wires. Connect the black supply wire the black fixture wire. Secure with the supplied wire nuts. Connect the white supply wire to the white fixture wire. Secure with the supplied wire nuts. Attach the green J-Box wire around green hexagonal head screw or connect it to the green supply grounding wire of the fixture. Secure all wires with electrical tape (not supplied). Tuck all wires carefully into the J-Box.



3

**MOUNT THE CANOPY**

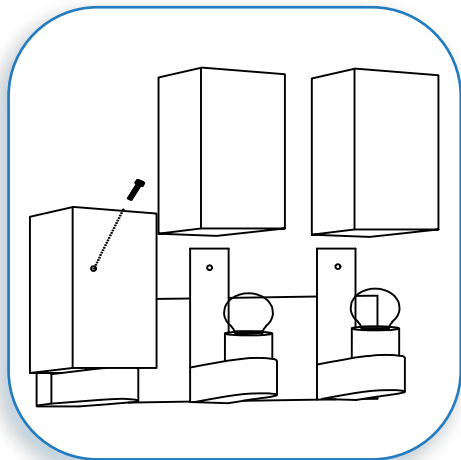
Fit the fixture canopy over the back plate. Align the screw holes on the top and bottom of the canopy and the back plate. Insert the supplied screws, tighten down and secure.



4

**INSERT THE BULBS**

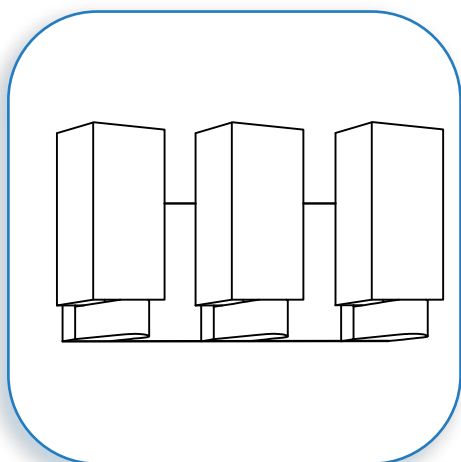
Insert the bulbs. **MAXIMUM WATTAGE 60W.**  
**DO NOT EXCEED THE MAXIMUM WATTAGE AS STATED ON THE WARNING LABEL AND INSTRUCTION SHEET.**



5

**SECURE THE GLASS SHADES**

Secure the glass shades to the fixture, by fitting the glass over the socket. Secure the glass by inserting the supplied screws through the designated hole in the glass and the metal post. Tighten down to secure



6

**RESTORE THE ELECTRICITY AND CHECK THE OPERATION OF YOUR NEW ACCESS LIGHTING FIXTURE**

**CAUTION** Please ensure that the fitting is cool and switched off before replacing the bulb. **DO NOT** use bulbs that might exceed the maximum wattage, stated on caution label.