

# access

LIGHTING

## INSTALLATION INSTRUCTIONS

### IMPORTANT

Before assembling your ACCESS LIGHTING fixture, please make sure that you carefully read through this instruction sheet. Save this instruction sheet and refer to it when additions to or changes in the fixture configuration are made.

Enregistrer cette feuille d'instructions et de s'y référer lorsque les ajouts ou changements dans la configuration de montage sont faites

Consider having your fixture installed by a qualified licensed electrician.

**NOTE:** The important safeguards and instructions that appear in this manual are not meant to cover all possible conditions and situations that may occur. It must be understood that common sense, caution and care are factors that can't be built into any product. These factors must be supplied by the person(s) caring for and operating the fixture

### GENERAL INFORMATION

All electrical connections must be in accordance with all ordinances, Local and National Electrical Codes. These fixtures are intended for mounting to standard 4" x 2 1/2" metal octagon outlet box. The box must be directly supported by the building structure and U.L. Recognized

### STEP-BY-STEP INSTRUCTIONS

Before starting your installation disconnect the Power by turning off the Circuit Breaker or by removing the fuse at the fuse box. Just turning the light off at the light switch is not sufficient to prevent electrical shock.



COLLECTION	APPLICATION	MODEL NO.
Sequoia	Wall fixture	31032

Consult a qualified electrician to ensure correct branch circuit conductor.

Consulter un electricien qualifie pour vous assurer que les conducteurs de la derivation sont adequats

This product must be installed in accordance with the applicable installation code by a person familiar with the construction and operation of the product and the hazards involved.

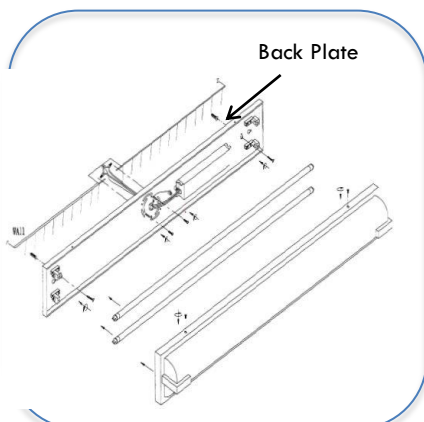
Ce produit doit etre installe selon le code d'installation pertinent, par une personne qui connait bien le produit et son fonctionnement ainsi que les risques inherents

### WHAT WE PROVIDE

- Back Plate
- Mounting Hardware
- 1 x Glass Shade With metal frame ballast
- 2 x 24W T5H Fluorescent Bulbs

### WHAT YOU NEED

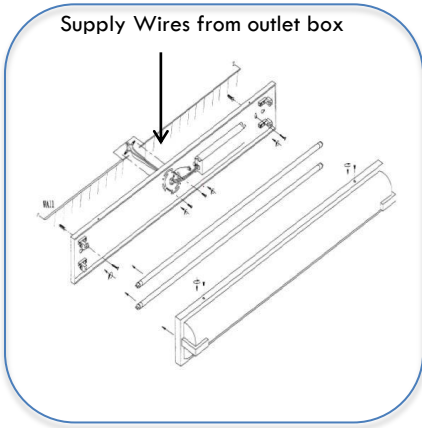
- Screwdriver
- Wire Cutters
- Wiring Supplies as Specified by the Electrical Code



# 1

### PREPARE FIXTURE

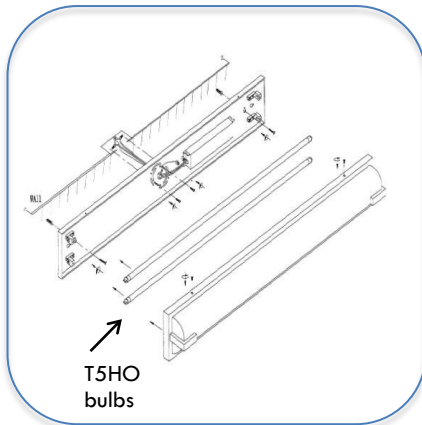
If there is an existing fixture remove it. Expose the supply wires from the outlet box. Hold the fixture back plate to the wall and mark with a pencil the location for the additional support. Remove and drill holes in the wall to accommodate the supplied hardware.



2

**CONNECT THE WIRES**

Pull the supply wires through the center hole in the back plate. Connect the black supply wire to the black fixture wire. Secure with the supplied wire nuts. Connect the white supply wires to the fixture wire. Secure with the supplied wire nuts. Either wrap the outlet box grounding (green) wire around the green hexagonal screw provided on the mounting plate or connect it to the supply ground wire provided with the fixture. Secure all wires with U.L Certified electrical tape (not supplied).



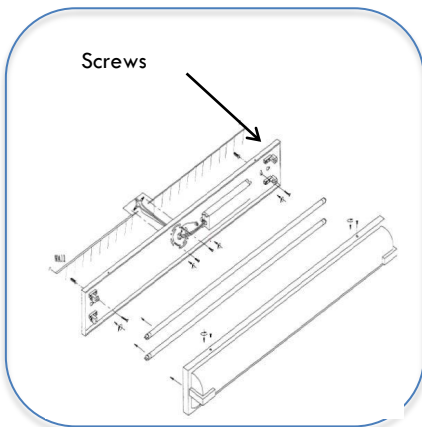
3

**MOUNT THE CANOPY**

Position your fixture so that the holes in the back plate align with the holes in both the junction box and anchors that you just inserted in the wall. Secure the back plate to the wall by inserting the supplied screws.

Insert the supplied bulbs into the sockets.

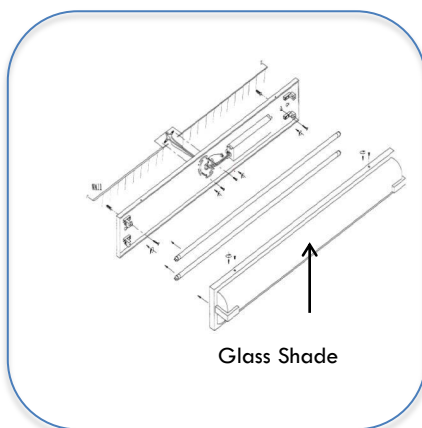
Do not exceed the wattage stated on the warning label.



4

**SECURE THE GLASS SHADE**

Secure the glass shade with metal frame to the fixture back plate by positioning the metal frame over the back plate. Align the holes at the top and bottom of the frame with the holes in the back plate. Insert the supplied screws and tighten down.



5

**RESTORE THE ELECTRICITY AND CHECK THE OPERATION OF YOUR NEW ACCESS LIGHTING FIXTURE**

**CAUTION**

Please ensure that the fitting is cool and switched off before replacing the bulb. DO NOT use bulbs that might exceed the maximum wattage as stated on caution label.